



栓型保險絲

本系列保險絲主要作為電氣線路的過載和短路保護(gG)。

由銅製成的多截面熔體封裝於由高強度陶瓷製成的熔管內，熔管中充滿經化學處理過的高純度石英砂作為消弧介質。保險絲端帽上帶有跳脫指示，當保險絲熔斷時，跳脫指示立即彈出，適時提醒使用者更換保險絲。

D TYPE FUSE LINK

D Type is mainly used to against electrical overload and short-circuit protection (gG).

Copper-made multi-section element is encapsulated in a high-intensity ceramic body which filled with pure quartz sand as an arc extinguisher. External trip indicator will be shown when short circuits, overloading, mismatched loads or device failure happened.

D TYPE

材質 陶瓷, 銅 Material: Porcelain, Copper

電壓 Voltage: AC400V

特性 Character: gG

短路容量 Breaking Capacity: 50kA



額定電流 Amp.	型號 Part No.	尺寸 Size	尺寸規格 Spec	重量 Weight (g)
2	CT-D01-2	1	E14	12.7
4	CT-D01-4			
6	CT-D01-6			
10	CT-D01-10			
16	CT-D01-16	2	E18	13.8
20	CT-D02-20			
25	CT-D02-25			
35	CT-D02-35			
50	CT-D02-50	2	E18	13.8
63	CT-D02-63			

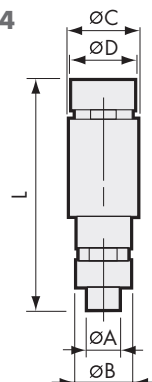
Type E14

Size	A	B	C	D	L
1	5	7.3	10.6	10.5	36
2	5	8.5	10.6	10.5	36
3	5	9.7	10.6	10.5	36

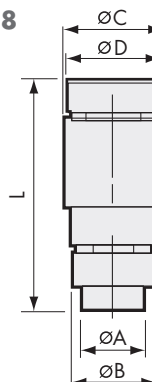
Type E18

Size	A	B	C	D	L
1	8.5	12.5	15	14	36
2	8.5	15.5	15	14	36

E14



E18



Unit: mm

D TYPE

材質 陶瓷,銅 Material: Porcelain, Copper

電壓 Voltage: AC500V

特性 Character: gG

短路容量 Breaking Capacity: 50kA



額定電流 Amp.	型號 Part No.	尺寸 Size	尺寸規格 Spec	重量 Weight (g)
2	CT-DI2	11	E16	11.7
4	CT-DI4			
6	CT-DI6			
10	CT-DI10	12		
16	CT-DI16	13		
20	CT-DI20	14		
25	CT-DI25			
30	CT-DI30			
2	CT-DII2	21	E27	24.8
4	CT-DII4			
6	CT-DII6			
10	CT-DII10	22		
16	CT-DII16	23		
20	CT-DII20	24		
25	CT-DII25	25		
30	CT-DII30			
35	CT-DIII35		31	E33
40	CT-DIII40			
50	CT-DIII50	32		
63	CT-DIII63	33		
80	CT-DIII80			

Type E16

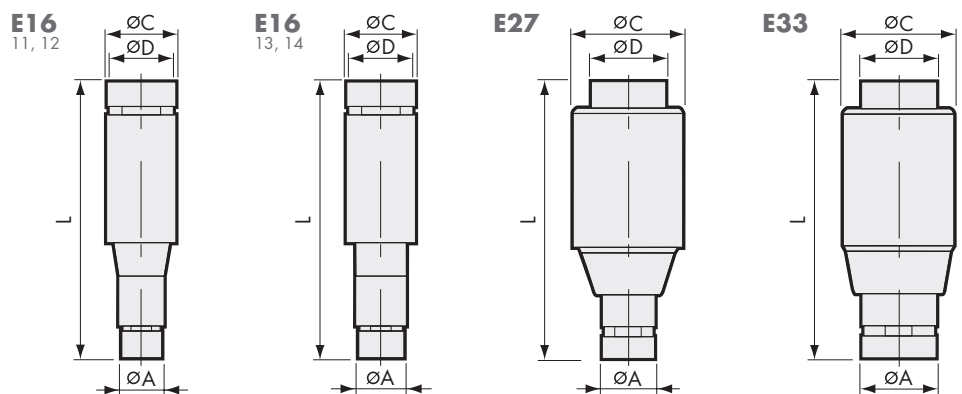
Size	A	C	D	L
11	6	12.5	11.3	50
12	8	12.5	11.3	50
13	10	12.5	11.3	50
14	11	12.5	11.3	50

Type E27

Size	A	C	D	L
21	6	22	14	50
22	8	22	14	50
23	10	22	14	50
24	12	22	14	50
25	14	22	14	50

Type E33

Size	A	C	D	L
31	16	26	20	50
32	18	26	20	50
33	20	26	20	50



Unit: mm