






# Thousand Hundred Industrial CO.,LTD.

Customer Name	豐立	Date Of Issue :	08/31/17
Description	Split Core Transformer	Sample Quantity	
Customer Part No.	150A/5A	Customer DWG.No.	
T.H. Part No.	<b>CT24B0150L01</b>	T.H. Sample No.	<b>4452A</b>

## ACKNOWLEDGMENT SPECIFICATION FOR APPROVAL

Approved by	Checked by	Engineering	Drawn by
			Ruili Lin

### CUSTOMER APPROVED

Approved by	Checked by	Acknowledged by

  
 C<sup>®</sup>UL<sup>®</sup>US  
 E318452



RoHS COMPLIANT

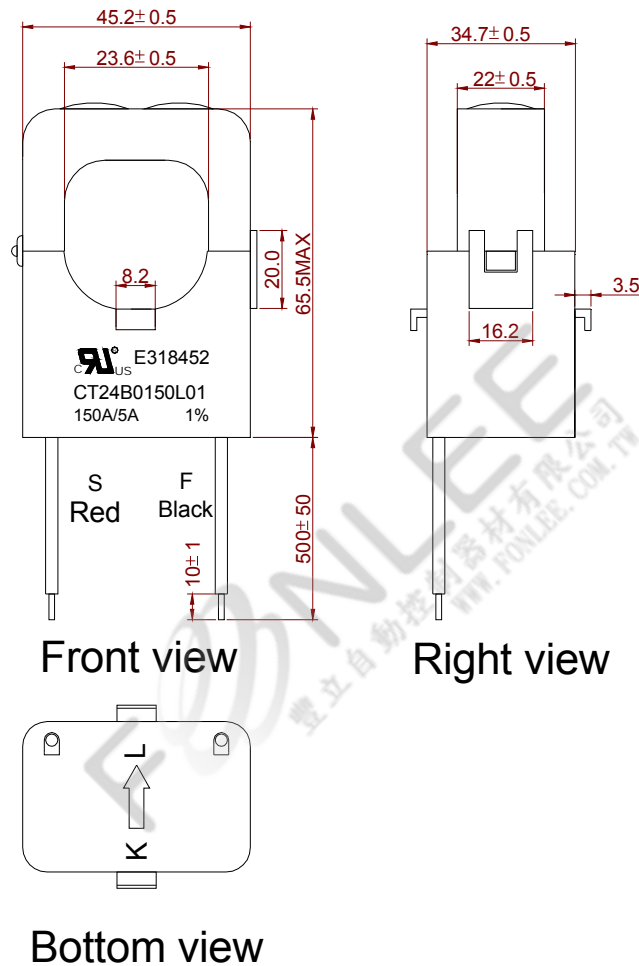
<b>China:</b> Tel : +86-769-83367090 Fax :+86-769-83367590 E-mail:dgth@thic.net www.thic.net	<b>Taiwan:</b> Tel : +886-3-5994440 Fax:+886-3-5902243 E-mail : fp@thic.net www.thic.net
--	--



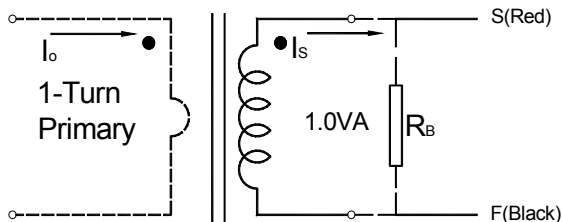
# Thousand Hundred Industrial CO.,LTD.

Customer Part No.	150A/5A	Date Of Issue :	08/31/17
T.H. Part No.	<b>CT24B0150L01</b>	T.H. Sample No.	<b>4452A</b>

## Mechanical Dimensions in mm



## Test Circuit:



## Photo:



## China:

Tel : +86-769-83367090 Fax :+86-769-83367590  
E-mail:dgth@thic.net www.thic.net

## Taiwan:

Tel : +886-3-5994440 Fax:+886-3-5902243  
E-mail : fp@thic.net www.thic.net



# Thousand Hundred Industrial CO.,LTD.

Customer Part No.	150A/5A	Date Of Issue :	08/31/17
T.H. Part No.	<b>CT24B0150L01</b>	T.H. Sample No.	<b>4452A</b>

## Electrical Specifications

Rated Primary Current(Rms)50Hz/60Hz	150A (7.5-180A Max.)
Current Ratio	150A/5A
Turns Ratio	Np:Ns=1:30
D.C.Resistance at 20 °C	0.1Max.
Accuracy @Rb=1.0VA	1%
Phase error at rated current range	≤ 5°
Operating temperature	-40~80°C
Storage temperature	-45~80°C
Insulation Resistance	DC500V/100MΩ min
Dielectric Withstanding Voltage(Hi-pot)	4.0KV/1mA/1min

## Mechanical Specifications

CUP	PA66
Opening Angle	180 Degree
Output Terminal	UL1007 16AWG PVC wire(Red/Black)
Approx.Weight	200g

### China:

Tel : +86-769-83367090 Fax :+86-769-83367590  
E-mail:dgth@thic.net www.thic.net

### Taiwan:

Tel : +886-3-5994440 Fax:+886-3-5902243  
E-mail : fp@thic.net www.thic.net



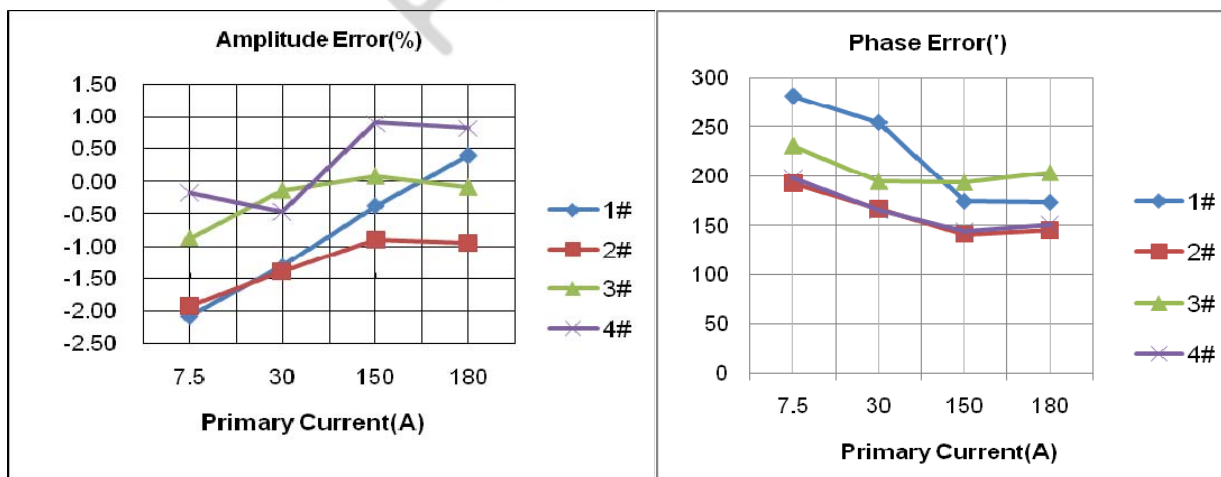
# Thousand Hundred Industrial CO.,LTD.

Customer Part No.	150A/5A	Date Of Issue :	08/31/17
T.H. Part No.	<b>CT24B0150L01</b>	T.H. Sample No.	<b>4452A</b>

## Measured Result

Current(A)		7.5	30	150	180	DCR( $\Omega$ )
SPEC.	f(%)	$\pm 3.00$	$\pm 3.00$	$\pm 1.00$	$\pm 1.00$	0.1Max.
	$\delta$ (')	<300				
1#	f(%)	-2.08	-1.31	-0.37	0.40	0.043
	$\delta$ (')	282	255	175	174	
2#	f(%)	-1.93	-1.39	-0.89	-0.95	0.044
	$\delta$ (')	193	167	141	146	
3#	f(%)	-0.87	-0.14	0.08	-0.09	0.050
	$\delta$ (')	231	195	194	204	
4#	f(%)	-0.17	-0.46	0.90	0.82	0.051
	$\delta$ (')	199	166	145	152	
AVE	f(%)	-1.26	-0.83	-0.07	0.05	0.047
	$\delta$ (')	226	196	164	169	
MAX	f(%)	-0.17	-0.14	0.90	0.82	0.051
	$\delta$ (')	282	255	194	204	
MIN	f(%)	-2.08	-1.39	-0.89	-0.95	0.043
	$\delta$ (')	193	166	141	146	

## Output curve figure



### China:

Tel : +86-769-83367090 Fax :+86-769-83367590  
E-mail:dgth@thic.net www.thic.net

### Taiwan:

Tel : +886-3-5994440 Fax:+886-3-5902243  
E-mail : fp@thic.net www.thic.net



# Thousand Hundred Industrial CO.,LTD.

Customer Part No.	150A/5A	Date Of Issue :	08/31/17
T.H. Part No.	<b>CT24B0150L01</b>	T.H. Sample No.	<b>4452A</b>

## Measured Result

NO	ITEM	Part No	UL Card	MATERIAL	NOTE
1	CORE	CRTR0514STHG0	/	TH20JG	
2	HOUSING	HSCT0645DG00	E41797	PA66	
3	BOBBIN	BNUU5300DG00	E53664	PBT5010	
4	WIRE	WR100NGS2U01	E201757	UEW/U,UEW-NY	
5	LEAD WIRE	LD160520BPHJ0 LD160520RPHJ0	E301305 E189674	UL1007 16AWG	80°C 300V
6	SOLDER	CHSB9900JX00	/	99.3%	

### NOTE:

1. Operating temperature change from -40~85°C to -40~80°C, Storage temperature change from -45~90°C to -45~80°C(08/31/17)

### China:

Tel : +86-769-83367090 Fax :+86-769-83367590  
E-mail:dgth@thic.net www.thic.net

### Taiwan:

Tel : +886-3-5994440 Fax:+886-3-5902243  
E-mail : fp@thic.net www.thic.net