

# EM-24Z

## 用途

24kV  
樹脂鑄造  
屋內計測用

## Usage

24kV  
Epoxy Resin Molded  
For Indoor Application  
(Measuring)

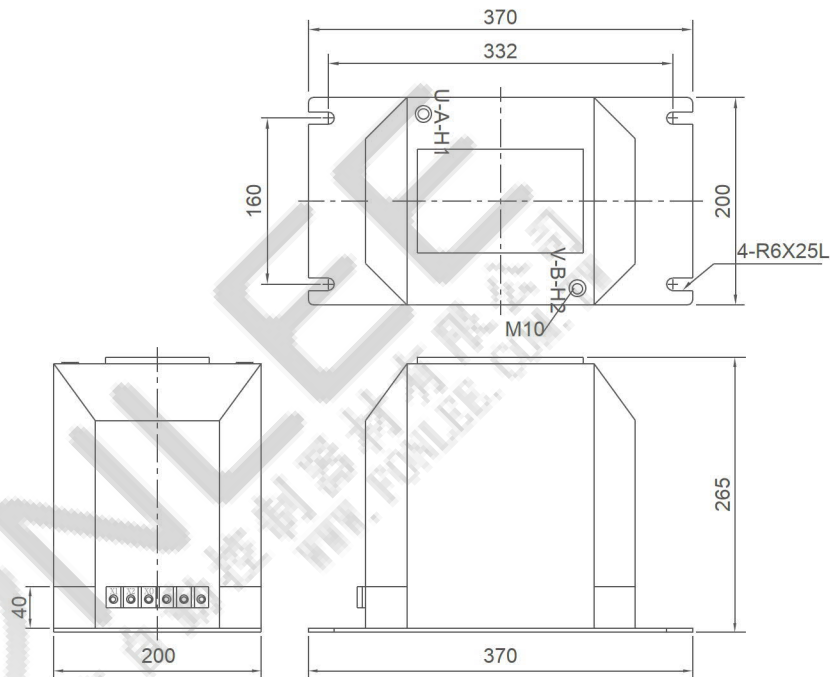


FIG.1 EM-24Z

型號 TYPE	一次電壓(V) PRI. VOLTAGE	二次電壓(V) SEC. VOLTAGE	負擔(VA) BURDEN	準確度 ACC. CLASS	重量(kg) WEIGHT	外觀尺寸(mm) DIMENSION
EM-24Z (1Ø)	22000, 22800, 24000	110, 114, 115, 120	100	0.5	32	FIG.1
			100, 200	1.0		
			500	3.0		
	22000 -11000 22800 -11400 24000 -12000	110, 114, 120	100/25	0.5		
			200/50	1.0		
			300/75	3.0		