



SHIHLIN ELECTRIC  
士林電機

www.seec.com.tw



2019.05 版

比流器 / 比壓器

# Current Transformer/ Voltage Transformer



工廠驗證



# INTEGRATION OF POWER SYSTEM

FONLEE  
豐立自動控制器材有限公司  
WWW.FONLEE.COM.TW



# Contents

## 一、比流器 CT

### Current Transformer

#### (1) 低壓計測用比流器

L.V Current Transformer for Measuring 2

#### (2) 高壓計測用比流器

H.V Current Transformer for Measuring 9

#### (3) 高壓保護用比流器

H.V Current Transformer for Protective 15

#### (4) 量測&保護用比流器

Current Transformer for Measuring & Protective 20

#### (5) 零相保護用比流器

Zero Phase Current Transformer 26



## 二、比壓器 VT

### Voltage Transformer

#### (1) 低壓比壓器/變壓器

Dry L.V Voltage Transformer / Dry L.V Transformer 27

#### (2) 高壓計測用比壓器

H.V Voltage Transformer for Measuring 29

#### (3) 低壓操作控制用變壓器

L.V Transformer for Control 36

#### (4) 低壓接地保護用比壓器

L.V Earthed Voltage Transformer for Protective 38

#### (5) 高壓接地保護用比壓器

H.V Earthed Voltage Transformer for Protective 41



# CA-PVA, CA-P6, CA-P8

## 用途

0.66kV  
乾式貫穿型  
屋內計測用

## Usage

0.66kV  
Dry Window Type  
For Indoor Application (Measuring)

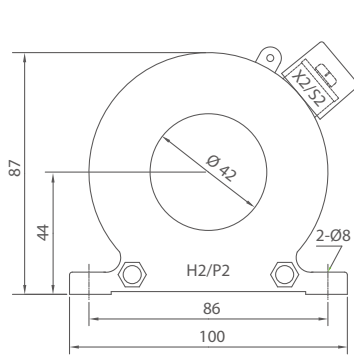


FIG.1 CA-PVA

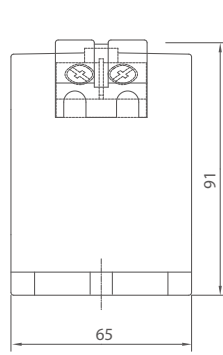
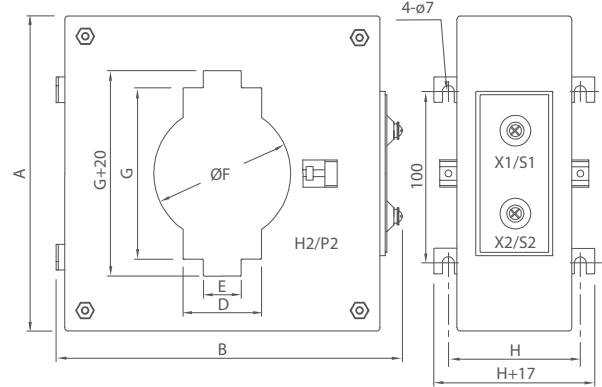


FIG.2 CA-P6, CA-P8



| 型號<br>TYPE         | 一次電流(A)<br>PRI. CURRENT        | 一次貫<br>穿導體<br>數(T)                                                         | 二次電流(A)<br>SEC.<br>CURRENT | 額定負擔/準確度<br>RATED OUTPUT &<br>ACCURACY CLASS | 過電流<br>強度<br>-/1s | 重量(kg)<br>WEIGHT | 圖號<br>FIG. | 外觀尺寸(mm) DIMENSION |     |     |     |     |     |     |     |            |      |     |   |     |     |    |    |    |    |    |
|--------------------|--------------------------------|----------------------------------------------------------------------------|----------------------------|----------------------------------------------|-------------------|------------------|------------|--------------------|-----|-----|-----|-----|-----|-----|-----|------------|------|-----|---|-----|-----|----|----|----|----|----|
|                    |                                |                                                                            |                            |                                              |                   |                  |            | A                  | B   | D   | E   | ØF  | G   | H   |     |            |      |     |   |     |     |    |    |    |    |    |
| CA-PVA             | 120, 125, 140<br>150, 160, 175 | 1                                                                          | 5                          | 10VA / 1.0                                   | 40In              | 0.9              | 1          | ---                | --- | --- | --- | --- | --- | --- | --- |            |      |     |   |     |     |    |    |    |    |    |
|                    | 5                              |                                                                            |                            | 36                                           |                   |                  |            |                    |     |     |     |     |     |     |     | 15VA / 3.0 |      |     |   |     |     |    |    |    |    |    |
|                    | 10                             | 18                                                                         |                            |                                              |                   |                  |            |                    |     |     |     |     |     |     |     |            |      |     |   |     |     |    |    |    |    |    |
|                    | 15                             | 12                                                                         |                            |                                              |                   |                  |            |                    |     |     |     |     |     |     |     |            |      |     |   |     |     |    |    |    |    |    |
|                    | 20                             | 10                                                                         |                            |                                              |                   |                  |            |                    |     |     |     |     |     |     |     |            |      |     |   |     |     |    |    |    |    |    |
|                    | 25                             | 8                                                                          |                            |                                              |                   |                  |            |                    |     |     |     |     |     |     |     |            |      |     |   |     |     |    |    |    |    |    |
|                    | 30                             | 6                                                                          |                            |                                              |                   |                  |            |                    |     |     |     |     |     |     |     |            |      |     |   |     |     |    |    |    |    |    |
|                    | 40                             | 5                                                                          | 5                          | 15VA / 1.0                                   |                   |                  |            |                    |     |     |     |     |     |     |     |            |      |     |   |     |     |    |    |    |    |    |
|                    | 50                             | 4                                                                          |                            |                                              |                   |                  |            |                    |     |     |     |     |     |     |     |            |      |     |   |     |     |    |    |    |    |    |
|                    | 60                             | 3                                                                          |                            |                                              |                   |                  |            |                    |     |     |     |     |     |     |     |            |      |     |   |     |     |    |    |    |    |    |
|                    | 75                             | 2                                                                          |                            |                                              |                   |                  |            |                    |     |     |     |     |     |     |     |            |      |     |   |     |     |    |    |    |    |    |
|                    | 100                            | 2                                                                          |                            |                                              |                   |                  |            |                    |     |     |     |     |     |     |     |            |      |     |   |     |     |    |    |    |    |    |
|                    | CA-P6                          | 150,200, 250, 300,<br>350, 400, 450, 500,<br>600                           | 1                          | 5                                            |                   |                  |            |                    |     |     |     |     |     |     |     | 15VA / 1.0 | 40In | 2.0 | 2 | 152 | 180 | 36 | 10 | 60 | 80 | 78 |
|                    |                                | 5                                                                          |                            |                                              |                   |                  |            |                    |     |     |     |     |     |     |     | 25         |      |     |   |     |     |    |    |    |    |    |
|                    |                                | 10                                                                         | 13                         |                                              |                   |                  |            |                    |     |     |     |     |     |     |     |            |      |     |   |     |     |    |    |    |    |    |
| 15                 |                                | 10                                                                         |                            |                                              |                   |                  |            |                    |     |     |     |     |     |     |     |            |      |     |   |     |     |    |    |    |    |    |
| 20                 |                                | 7                                                                          | 1                          | 15VA / 1.0                                   |                   |                  |            |                    |     |     |     |     |     |     |     |            |      |     |   |     |     |    |    |    |    |    |
| 50                 |                                | 3                                                                          |                            |                                              |                   |                  |            |                    |     |     |     |     |     |     |     |            |      |     |   |     |     |    |    |    |    |    |
| 75, 100            |                                | 2                                                                          |                            |                                              |                   |                  |            |                    |     |     |     |     |     |     |     |            |      |     |   |     |     |    |    |    |    |    |
| 150, 200, 300, 400 |                                | 1                                                                          |                            |                                              |                   |                  |            |                    |     |     |     |     |     |     |     |            |      |     |   |     |     |    |    |    |    |    |
| CA-P8              |                                | 450, 500, 600, 700,<br>750, 800, 900,<br>1000                              | 1                          | 5                                            | 15VA / 1.0        | 40In             | 2.5        | 2                  | 184 | 195 | 46  | 22  | 80  | 100 | 90  |            |      |     |   |     |     |    |    |    |    |    |
|                    |                                | 1100, 1200, 1300,<br>1400, 1500, 1600,<br>1700, 1800, 2000,<br>2500, 2600. |                            | 1                                            | 5                 |                  |            |                    |     |     |     |     |     |     |     | 40VA / 1.0 |      |     |   |     |     |    |    |    |    |    |

依據標準(STANDARD)：CNS 11437、IEC 60044-1。使用頻率(FREQUENCY)：50 / 60Hz。  
一次貫穿導體由客戶自行捲繞，表列外其它規格請直接和本公司洽詢。

# CG-JVA

## 用途

0.66kV  
樹脂貫穿型  
屋內計測用

## Usage

0.66kV  
Epoxy Resin Molded Window Type  
For Indoor Application  
(Measuring)

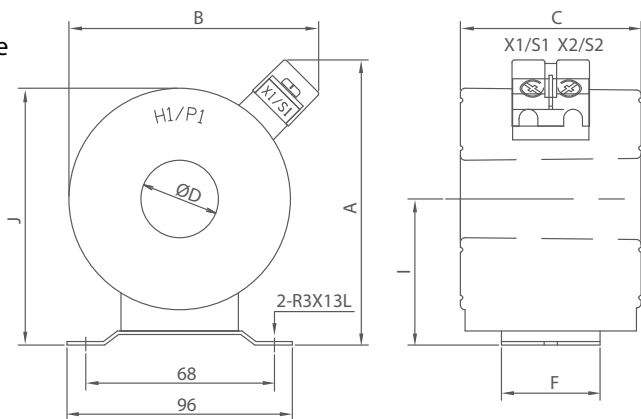


FIG.1 CG-JVA

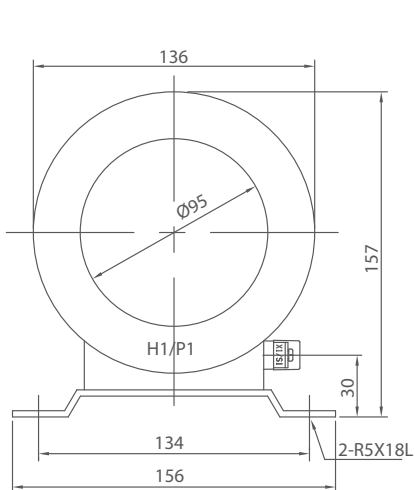


FIG.2 CG-JVA

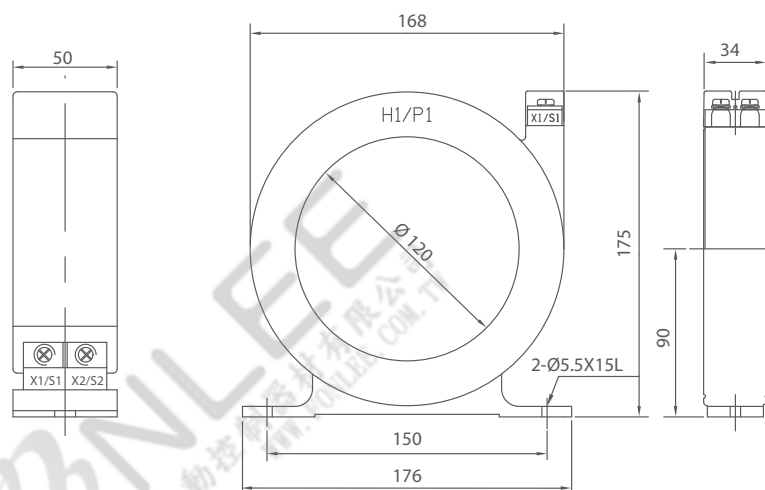


FIG.3 CG-JVA

| 型號<br>TYPE | 一次電流(A)<br>PRI. CURRENT                                    | 一次貫穿<br>導體數<br>(T) | 二次電流(A)<br>SEC.<br>CURRENT | 額定負擔/準確度<br>RATED OUTPUT &<br>ACCURACY CLASS | 過電流<br>強度<br>-/1s | 重量(kg)<br>WEIGHT | 圖號<br>FIG. | 外觀尺寸(mm)<br>DIMENSION |     |    |    |    |    |     |     |   |   |
|------------|------------------------------------------------------------|--------------------|----------------------------|----------------------------------------------|-------------------|------------------|------------|-----------------------|-----|----|----|----|----|-----|-----|---|---|
|            |                                                            |                    |                            |                                              |                   |                  |            | A                     | B   | C  | ØD | F  | I  | J   |     |   |   |
| CG-JVA     | 5                                                          | 36                 |                            |                                              |                   |                  |            |                       |     |    |    |    |    |     |     |   |   |
|            | 10                                                         | 18                 |                            |                                              |                   |                  |            |                       |     |    |    |    |    |     |     |   |   |
|            | 15                                                         | 12                 |                            |                                              |                   |                  |            |                       |     |    |    |    |    |     |     |   |   |
|            | 20                                                         | 10                 |                            |                                              |                   |                  |            |                       |     |    |    |    |    |     |     |   |   |
|            | 25                                                         | 8                  |                            |                                              |                   |                  |            |                       |     |    |    |    |    |     |     |   |   |
|            | 30                                                         | 6                  |                            |                                              |                   |                  |            |                       |     |    |    |    |    |     |     |   |   |
|            | 40                                                         | 5                  |                            | 5                                            | 15VA/1.0          | 40In             | 1.0        | 1                     | 110 | 95 | 66 | 32 | 30 | 63  | 110 |   |   |
|            | 50                                                         | 4                  |                            |                                              |                   |                  |            |                       |     |    |    |    |    |     |     |   |   |
|            | 60                                                         | 3                  |                            |                                              |                   |                  |            |                       |     |    |    |    |    |     |     |   |   |
|            | 75                                                         | 2                  |                            |                                              |                   |                  |            |                       |     |    |    |    |    |     |     |   |   |
|            | 100, 125                                                   | 2                  |                            |                                              |                   |                  |            |                       |     |    |    |    |    |     |     |   |   |
|            | 150, 180, 200, 225,<br>250, 300                            | 1                  |                            |                                              |                   |                  |            |                       |     |    |    |    |    |     |     |   |   |
|            | 350, 400, 500, 600                                         | 1                  | 5                          | 15VA/1.0                                     | 40In              | 1.0              | 1          | 121                   | 106 | 63 | 52 | 42 | 63 | 110 |     |   |   |
|            | 700, 750, 800, 900,<br>1000, 1200, 1500                    | 1                  | 5                          | 15VA/1.0                                     | 40In              | 1.2              | 2          | —                     | —   | —  | —  | —  | —  | —   | —   | — | — |
|            | 1600, 1700, 1800,<br>2000, 2500, 2600,<br>3000, 3200, 3500 | 1                  | 5                          | 15VA/1.0                                     | 40In              | 1.2              | 3          | —                     | —   | —  | —  | —  | —  | —   | —   | — | — |

依據標準(STANDARD) : CNS 11437、IEC 60044-1。使用頻率(FREQUENCY) : 50 / 60Hz。  
一次貫穿導體由客戶自行捲繞，表列外其它規格請直接和本公司洽詢。

# CA-P3, CA-P5, CA-P7, CA-P9

**用途**

0.66kV  
乾式貫穿型  
屋內計測用

**Usage**

0.66kV  
Dry Window Type  
For Indoor Application (Measuring)

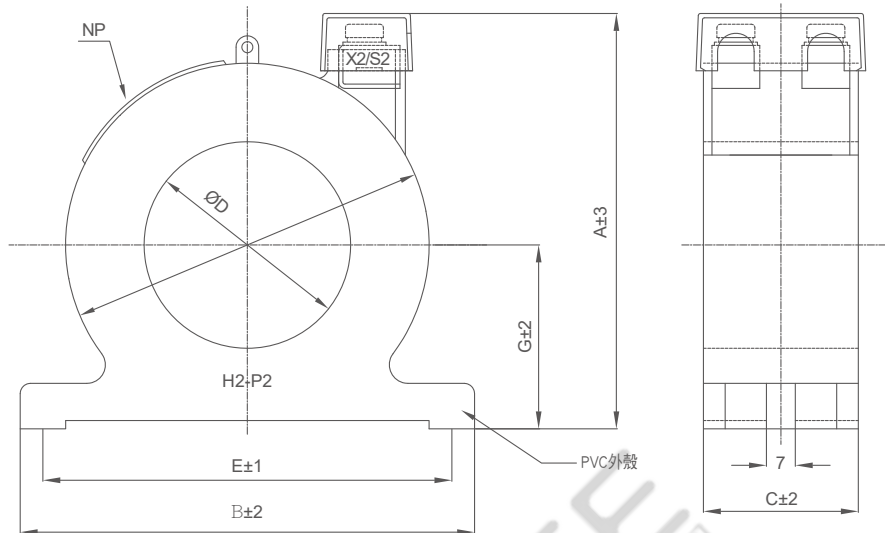


FIG.1 CA-P3579

| 型號<br>TYPE         | 一次電流(A)<br>PRI. CURRENT                       | 貫穿導體數<br>(T) | 二次電流(A)<br>SEC. CURRENT | 額定負擔/準確度<br>RATED OUTPUT &<br>ACCURACY CLASS | 過電流<br>強度<br>-/1s | 重量<br>(kg)<br>WEIGHT | 外觀尺寸(mm) DIMENSION |     |     |    |     |       |      |
|--------------------|-----------------------------------------------|--------------|-------------------------|----------------------------------------------|-------------------|----------------------|--------------------|-----|-----|----|-----|-------|------|
|                    |                                               |              |                         |                                              |                   |                      | A                  | B   | C   | ØD | E   | ØF    | G    |
| CA-P3              | 5                                             | 20           | 5                       | 10VA / 3.0                                   | 40                | 0.4                  | 95                 | 93  | 37  | 31 | 83  | 73    | 38   |
|                    | 10                                            | 10           |                         |                                              |                   |                      |                    |     |     |    |     |       |      |
|                    | 15                                            | 7            |                         |                                              |                   |                      |                    |     |     |    |     |       |      |
|                    | 20                                            | 5            |                         |                                              |                   |                      |                    |     |     |    |     |       |      |
|                    | 30                                            | 4            |                         |                                              |                   |                      |                    |     |     |    |     |       |      |
|                    | 40                                            | 3            |                         |                                              |                   |                      |                    |     |     |    |     |       |      |
|                    | 50                                            | 2            |                         |                                              |                   |                      |                    |     |     |    |     |       |      |
|                    | 60                                            | 2            |                         |                                              |                   |                      |                    |     |     |    |     |       |      |
|                    | 75                                            | 2            |                         |                                              |                   |                      |                    |     |     |    |     |       |      |
|                    | 100, 125, 150                                 | 1            |                         |                                              |                   |                      |                    |     |     |    |     |       |      |
| 175, 180, 200      | 1                                             | 15VA 3.0     | 40                      | 0.48                                         | 115               | 110                  | 37                 | 50  | 100 | 88 | 47  |       |      |
| 225, 250, 300, 350 | 1                                             |              |                         |                                              |                   |                      |                    |     |     |    |     |       |      |
| 400, 500, 600      | 1                                             |              |                         |                                              |                   |                      |                    |     |     |    |     |       |      |
| CA-P5              | 700, 750, 800                                 | 1            | 5                       | 15VA 3.0                                     | 40                | 0.5                  | 135                | 130 | 37  | 70 | 120 | 107.5 | 57   |
| CA-P7              | 900, 1000, 1200, 1250, 1400, 1500, 1600, 2000 | 1            | 5                       | 15VA 3.0                                     | 40                | 1.1                  | 160                | 155 | 37  | 91 | 146 | 134   | 71.5 |
| CA-P9              |                                               |              |                         |                                              |                   |                      |                    |     |     |    |     |       |      |

依據標準(STANDARD)：CNS 11437、IEC 60044-1。使用頻率(FREQUENCY)：50 / 60Hz。  
一次貫穿導體由客戶自行捲繞，表列外其他規格請直接和本公司洽詢。

# CG-PVB

## 用途

0.66kV  
樹脂貫穿型  
屋內計測用

## Usage

0.66kV  
Epoxy Resin Molded Window Type  
For Indoor Application (Measuring)

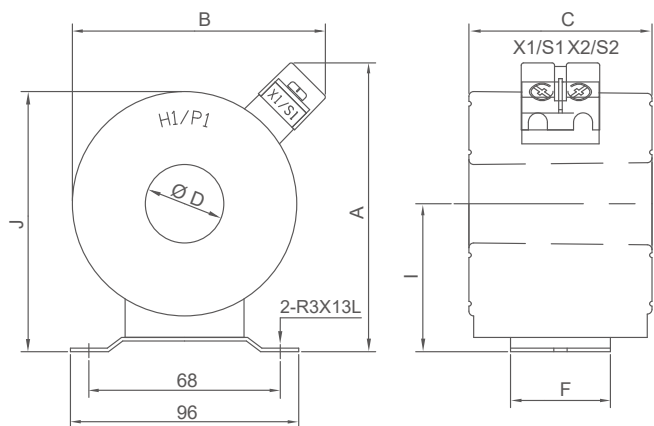


FIG.1 CG-PVB

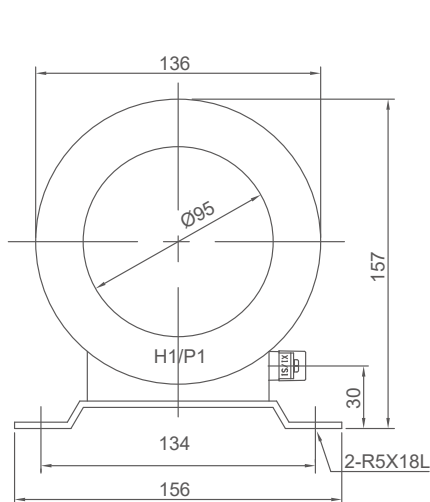


FIG.2 CG-PVB

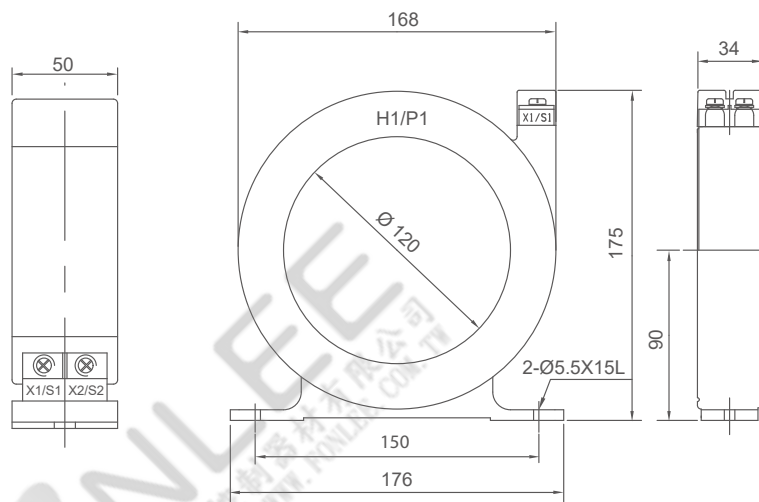


FIG.3 CG-PVB

| 型號<br>TYPE                                                 | 一次電流(A)<br>PRI. CURRENT | 一次貫穿<br>導體<br>數(T) | 二次電流(A)<br>SEC.<br>CURRENT | 額定負擔/準確度<br>RATED OUTPUT &<br>ACCURACY CLASS | 過電流<br>強度<br>- /1s | 重量(kg)<br>WEIGHT | 圖號<br>FIG. | 外觀尺寸(mm) DIMENSION |    |     |    |    |    |     |
|------------------------------------------------------------|-------------------------|--------------------|----------------------------|----------------------------------------------|--------------------|------------------|------------|--------------------|----|-----|----|----|----|-----|
|                                                            |                         |                    |                            |                                              |                    |                  |            | A                  | B  | C   | ØD | F  | I  | J   |
| CG-PVB                                                     | 5                       | 36                 | 5                          | 20VA / 1.0<br>40VA / 1.0                     | 40In               | 1.7              | 1          | 112                | 92 | 77  | 32 | 30 | 63 | 110 |
|                                                            | 10                      | 18                 |                            |                                              |                    |                  |            |                    |    |     |    |    |    |     |
|                                                            | 15                      | 12                 |                            |                                              |                    |                  |            |                    |    |     |    |    |    |     |
|                                                            | 20                      | 10                 |                            |                                              |                    |                  |            |                    |    |     |    |    |    |     |
|                                                            | 25                      | 8                  |                            |                                              |                    |                  |            |                    |    |     |    |    |    |     |
|                                                            | 30                      | 6                  |                            |                                              |                    |                  |            |                    |    |     |    |    |    |     |
|                                                            | 40                      | 5                  |                            |                                              |                    |                  |            |                    |    |     |    |    |    |     |
|                                                            | 50                      | 4                  |                            |                                              |                    |                  |            |                    |    |     |    |    |    |     |
|                                                            | 60                      | 3                  |                            |                                              |                    |                  |            |                    |    |     |    |    |    |     |
|                                                            | 75                      | 2                  |                            |                                              |                    |                  |            |                    |    |     |    |    |    |     |
| 100, 125,                                                  | 2                       |                    |                            |                                              |                    |                  |            |                    |    |     |    |    |    |     |
| 150, 175, 180, 200,<br>225, 250, 300, 350                  | 1                       |                    |                            |                                              |                    |                  |            |                    |    |     |    |    |    |     |
| 400, 500, 600                                              | 1                       | 1.0                | 1                          | 121                                          | 106                | 63               | 52         | 42                 | 63 | 110 |    |    |    |     |
| 700, 750, 800,<br>1000, 1200, 1400,<br>1500                | 1                       | 5                  | 40VA / 1.0                 | 40In                                         | 1.2                | 2                | —          | —                  | —  | —   | —  | —  |    |     |
| 1600, 1700, 1800,<br>2000, 2500, 2600,<br>3000, 3200, 3500 | 1                       | 5                  | 40VA / 1.0                 | 40In                                         | 1.2                | 3                | —          | —                  | —  | —   | —  | —  |    |     |

依據標準(STANDARD)：CNS 11437、IEC 60044-1。使用頻率(FREQUENCY)：50 / 60Hz。  
一次貫穿導體由客戶自行捲繞，表列外其它規格請直接和本公司洽詢。

# CG-P5, CG-PV

**用途**

0.66kV  
樹脂貫穿型  
屋內計測用

**Usage**

0.66kV  
Epoxy Resin Molded Window Type  
For Indoor Application (Measuring)

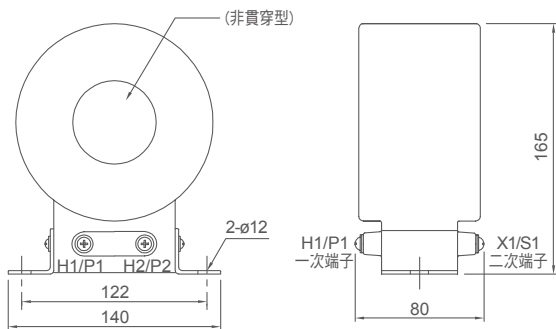


FIG.1 CG-P5 (繞線型)

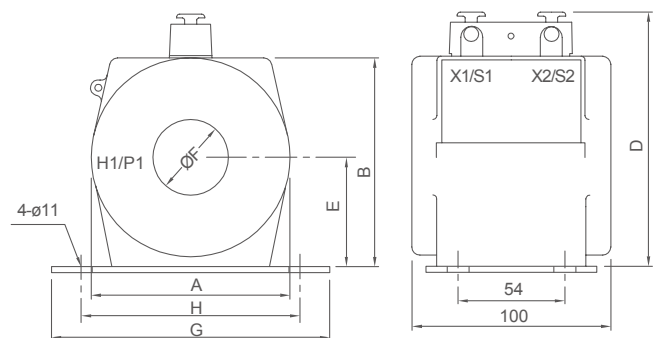


FIG.2 CG-PV



| 型號<br>TYPE     | 一次電流(A)<br>PRI. CURRENT | 一次貫<br>穿導體<br>數(T) | 二次電流(A)<br>SEC.<br>CURRENT | 額定負擔/準確度<br>RATED OUTPUT &<br>ACCURACY CLASS | 過電流<br>強度<br>-/1s | 重量(kg)<br>WEIGHT | 圖號<br>FIG. | 外觀尺寸(mm) DIMENSION |     |     |     |     |     |     |     |
|----------------|-------------------------|--------------------|----------------------------|----------------------------------------------|-------------------|------------------|------------|--------------------|-----|-----|-----|-----|-----|-----|-----|
|                |                         |                    |                            |                                              |                   |                  |            | A                  | B   | D   | E   | ØF  | G   | H   |     |
| CG-P5<br>(繞線型) | 1, 5                    | —                  | 5                          | 15VA / 0.5                                   | 40In              | 4.0              | 1          | —                  | —   | —   | —   | —   | —   | —   | —   |
|                | 10, 15                  | —                  | 1                          | 15VA / 1.0                                   |                   |                  |            |                    |     |     |     |     |     |     |     |
|                | 20                      | 10                 | —                          | 40VA / 1.0                                   |                   |                  |            |                    |     |     |     |     |     |     |     |
|                | 30                      | 6                  | —                          | —                                            |                   |                  |            |                    |     |     |     |     |     |     |     |
|                | 40                      | 5                  | —                          | —                                            |                   |                  |            |                    |     |     |     |     |     |     |     |
| CG-PV          | 50                      | 4                  | —                          | —                                            | 40In              | 3.0              | 2          | 100                | 105 | 130 | 55  | 38  | 140 | 110 |     |
|                | 60, 70                  | 3                  | —                          | —                                            |                   |                  |            |                    |     |     |     |     |     |     |     |
|                | 75, 80, 90, 100, 125    | 2                  | 5                          | 15VA / 0.5                                   |                   |                  |            |                    |     |     |     |     |     |     |     |
|                | 150, 175, 200, 225, 250 | 1                  | —                          | —                                            |                   |                  |            |                    |     |     |     |     |     |     |     |
|                | 300, 400, 500, 600      | 1                  | —                          | —                                            |                   |                  |            | 100                | 105 | 130 | 55  | 50  | 140 | 110 |     |
|                | 700, 800, 900, 1000     | 1                  | —                          | —                                            |                   |                  |            | 3.5                | 2   | 125 | 135 | 160 | 68  | 65  | 180 |
| 1200, 1500     | 1                       | —                  | —                          | 4.0                                          | 2                 | 145              | 155        | 180                | 78  | 80  | 180 | 150 |     |     |     |

依據標準(STANDARD)：CNS 11437、IEC 60044-1。使用頻率(FREQUENCY)：50 / 60Hz。  
一次貫穿導體由客戶自行捲繞，表列外其它規格請直接和本公司洽詢。



# CG-Q5, CG-QV

**用途**

0.66kV  
樹脂貫穿型  
屋內計測用

**Usage**

0.66kV  
Epoxy Resin Molded Window Type  
For Indoor Application (Measuring)

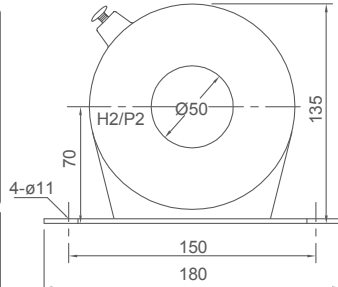
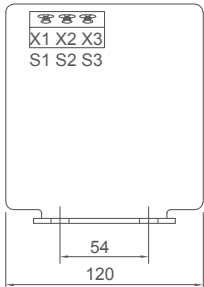


FIG.1 CG-Q5

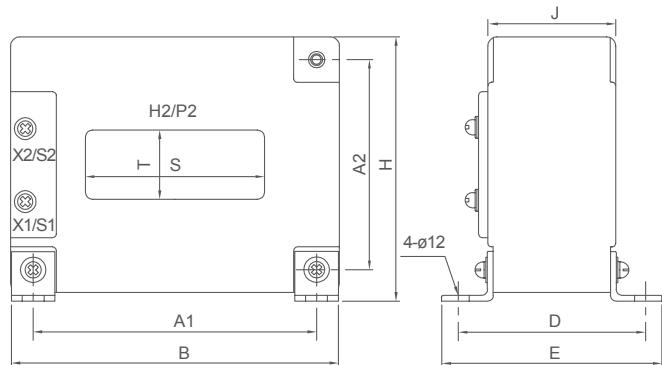


FIG.2 CG-QV

| 型號<br>TYPE               | 一次電流(A)<br>PRI. CURRENT               | 一次貫穿<br>導體數(T) | 二次電流(A)<br>SEC. CURRENT | 額定負擔/準確度<br>RATED OUTPUT &<br>ACCURACY CLASS | 過電流<br>強度<br>- /1s | 重量(kg)<br>WEIGHT | 外觀尺寸<br>(mm)<br>DIMENSION |
|--------------------------|---------------------------------------|----------------|-------------------------|----------------------------------------------|--------------------|------------------|---------------------------|
| CG-Q5 單比<br>SINGLE RATIO | 20                                    | 8              |                         |                                              |                    |                  |                           |
|                          | 30                                    | 6              |                         |                                              |                    |                  |                           |
|                          | 40, 50                                | 4              |                         |                                              |                    |                  |                           |
|                          | 60                                    | 3              |                         |                                              |                    |                  |                           |
|                          | 75, 100, 125                          | 2              | 5                       | 40VA / 1.0                                   | 40In               | 6.0              | FIG.1                     |
| CG-Q5 雙比<br>DOUBLE RATIO | 150, 175, 200, 250,<br>300, 350, 400  | 1              |                         |                                              |                    |                  |                           |
|                          | 250-125, 300-150,<br>350-175, 400-200 | 1              |                         |                                              |                    |                  |                           |

| 型號<br>TYPE                     | 一次電流(A)<br>PRI. CURRENT                                    | 二次電流<br>(A)<br>SEC.<br>CURRENT | 額定負擔/準確度<br>RATED OUTPUT &<br>ACCURACY<br>CLASS | 過電流<br>強度<br>- /1s | 重量<br>(kg)<br>WEIGHT | 外觀尺寸(mm) DIMENSION |     |     |     |     |     |     |    |  |  |
|--------------------------------|------------------------------------------------------------|--------------------------------|-------------------------------------------------|--------------------|----------------------|--------------------|-----|-----|-----|-----|-----|-----|----|--|--|
|                                |                                                            |                                |                                                 |                    |                      | 窗口<br>T×S          | A1  | A2  | B   | D   | E   | H   | J  |  |  |
| CG-QV<br>單比<br>SINGLE<br>RATIO | 200, 250, 300, 350                                         | 5                              | 40VA / 3.0                                      |                    |                      |                    |     |     |     |     |     |     |    |  |  |
|                                | 400, 450, 500, 600, 700,<br>750, 800, 900, 1000            |                                |                                                 |                    | 3.1                  | 20×70              | 125 | 95  | 150 | 90  | 110 | 120 | 60 |  |  |
|                                | 1000, 1200, 1250, 1400<br>1500, 1600, 2000                 |                                | 15VA / 1.0<br>20VA / 1.0                        | 40In               | 4.5                  | 38×98              | 155 | 115 | 180 | 100 | 120 | 140 | 70 |  |  |
|                                | 1500, 2000, 2500,<br>3000, 3200                            | 5                              | 30VA / 1.0<br>40VA / 1.0                        |                    | 5.4                  | 40×130             | 185 | 115 | 210 | 100 | 120 | 140 | 70 |  |  |
|                                | 3500, 4000, 4500, 5000<br>6000, 7000, 8000                 |                                |                                                 |                    | 7.5                  | 80×160             | 200 | 180 | 240 | 100 | 120 | 220 | 68 |  |  |
| CG-QV<br>雙比<br>DOUBLE<br>RATIO | 400-200, 500-250,<br>600-300, 700-350,<br>800-400, 900-450 |                                |                                                 |                    | 3.1                  | 20×70              | 125 | 95  | 150 | 90  | 110 | 120 | 60 |  |  |
|                                | 1000-500, 1200-600,<br>1500-750, 2000-1000                 |                                | 15VA / 1.0<br>20VA / 1.0                        | 40In               | 4.5                  | 38×98              | 155 | 115 | 180 | 100 | 120 | 140 | 70 |  |  |
|                                | 2500-1250, 3000-1500,<br>3200-1600                         | 5                              | 30VA / 1.0<br>40VA / 1.0                        |                    | 5.4                  | 40×130             | 185 | 115 | 210 | 100 | 120 | 140 | 70 |  |  |
|                                | 4000-2000, 5000-2500,<br>6000-3000, 7000-3500              |                                |                                                 |                    | 7.5                  | 80×160             | 200 | 180 | 240 | 100 | 120 | 220 | 68 |  |  |

依據標準(STANDARD) : CNS 11437、IEC 60044-1。使用頻率(FREQUENCY) : 50 / 60Hz。  
一次貫穿導體由客戶自行捲繞，表列外其它規格請直接和本公司洽詢。

# CG-QVA

**用途**

0.66kV  
樹脂貫穿型  
屋內計測用

**Usage**

0.66kV  
Epoxy Resin Molded Window Type  
For Indoor Application (Measuring)

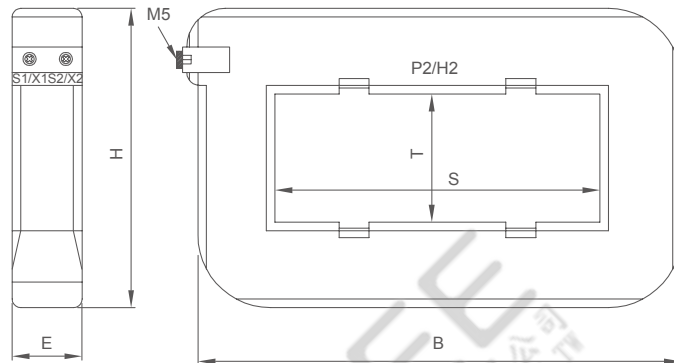


FIG.1 CG-QVA

| 型號<br>TYPE                   | 一次電流(A)<br>PRI. CURRENT                                    | 二次電流(A)<br>SEC. CURRENT | 額定負擔/準確度<br>RATED OUTPUT &<br>ACCURACY CLASS         | 過電流<br>強度<br>-/1s | 重量<br>(kg)<br>WEIGHT | 外觀尺寸(mm)<br>DIMENSION |     |    |     |
|------------------------------|------------------------------------------------------------|-------------------------|------------------------------------------------------|-------------------|----------------------|-----------------------|-----|----|-----|
|                              |                                                            |                         |                                                      |                   |                      | 窗口T×S                 | B   | E  | H   |
| CG-QVA<br>單比<br>SINGLE RATIO | 400, 450, 500, 600,<br>700, 750, 800, 900,<br>1000, 1200   | 5                       | 15VA / 1.0<br>20VA / 1.0<br>30VA / 1.0<br>40VA / 1.0 | 40In              | 1.5                  | 24×64                 | 155 | 52 | 115 |
|                              | 1000, 1200, 1250,<br>1300, 1400, 1500,<br>1600, 1800, 2000 |                         |                                                      |                   |                      |                       |     |    |     |
|                              | 1600, 1800, 2000, 2500                                     |                         |                                                      |                   |                      |                       |     |    |     |
|                              | 2500, 3000, 3200,<br>3500, 4000                            |                         |                                                      |                   |                      |                       |     |    |     |
|                              | 4000, 4500, 5000, 6000                                     |                         |                                                      |                   |                      |                       |     |    |     |

依據標準(STANDARD)：CNS 11437、IEC 60044-1。使用頻率(FREQUENCY)：50 / 60Hz。  
表列外其它規格請直接和本公司洽詢。

# CG-6QV

## 用途

7.2kV  
樹脂貫穿型  
屋內計測用

## Usage

7.2kV  
Epoxy Resin Molded Window Type  
For Indoor Application (Measuring)

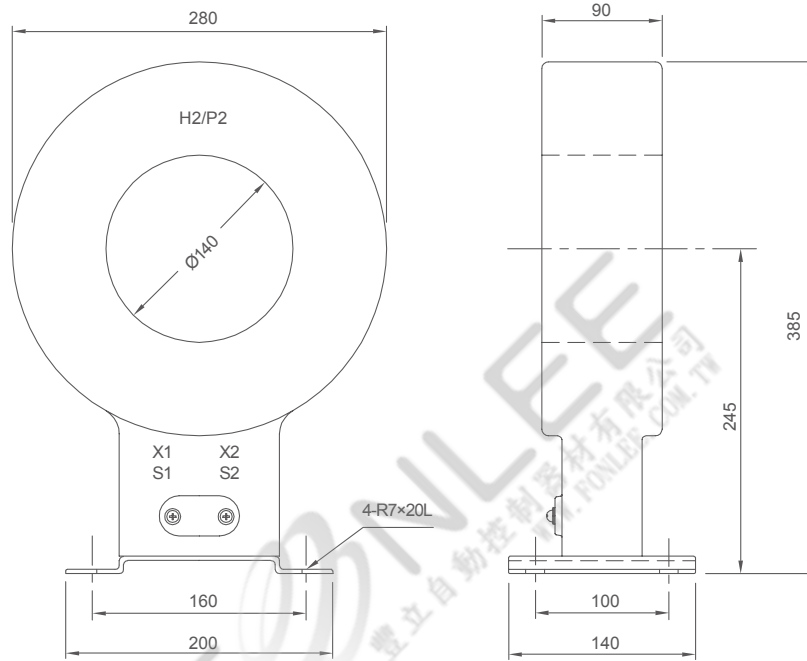


FIG.1 CG-6QV

| 型號<br>TYPE                   | 一次電流(A)<br>PRI. CURRENT                                                                                                                                  | 二次電流(A)<br>SEC. CURRENT | 額定負擔/準確度<br>RATED OUTPUT &<br>ACCURACY CLASS | 過電流<br>強度<br>- /1s | 重量(kg)<br>WEIGHT | 外觀尺寸(mm)<br>DIMENSION |
|------------------------------|----------------------------------------------------------------------------------------------------------------------------------------------------------|-------------------------|----------------------------------------------|--------------------|------------------|-----------------------|
| CG-6QV<br>單比<br>SINGLE RATIO | 750, 800, 1000, 1200, 1400,<br>1500, 2000, 2500, 3000, 3200,<br>3500, 4000, 5000, 6000                                                                   | 5                       | 15VA / 1.0<br>30VA / 1.0<br>40VA / 1.0       |                    |                  |                       |
| CG-6QV<br>雙比<br>DOUBLE RATIO | 800-400, 1000-500,<br>1200-600, 1400-700,<br>1500-750, 2000-1000,<br>2500-1250, 3000-1500,<br>3200-1600, 3500-1750,<br>4000-2000, 5000-2500<br>6000-3000 | 5                       | 15VA / 1.0<br>30VA / 1.0<br>40VA / 1.0       | 40In               | 16               | FIG.1                 |

依據標準(STANDARD)：CNS 11437、IEC 60044-1。使用頻率(FREQUENCY)：50 / 60Hz。  
表列外其它規格請直接和本公司洽詢。

# CM-1QV

**用途**

12kV  
樹脂鑄造  
屋內計測用



**Usage**

12kV  
Epoxy Resin Molded  
For Indoor Application  
(Measuring)

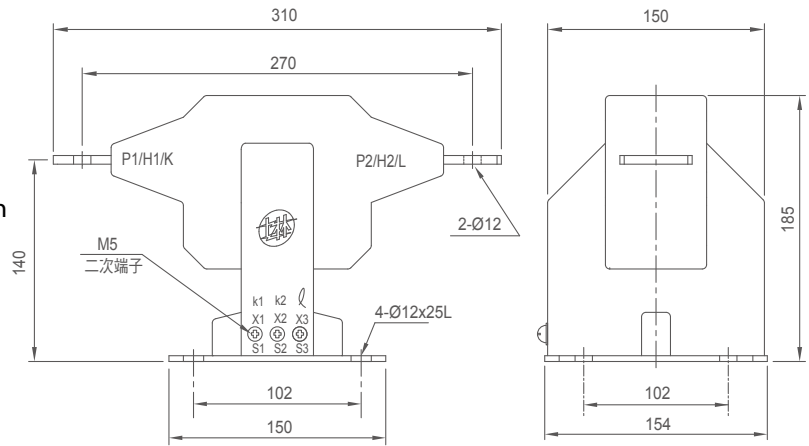


FIG.1 CM-1QV

| 型號<br>TYPE                   | 一次電流(A)<br>PRI. CURRENT                                                  | 二次電流(A)<br>SEC. CURRENT | 額定負擔/準確度<br>RATED OUTPUT &<br>ACCURACY CLASS | 過電流<br>強度<br>- /1s | 重量(kg)<br>WEIGHT | 外觀尺寸<br>(mm)<br>DIMENSION |
|------------------------------|--------------------------------------------------------------------------|-------------------------|----------------------------------------------|--------------------|------------------|---------------------------|
| CM-1QV<br>單比<br>SINGLE RATIO | 5, 10, 20, 40, 50, 75,<br>100, 150, 200, 250                             |                         |                                              | 40In               |                  |                           |
|                              | 300, 350, 400, 500,<br>600, 700, 750, 800                                |                         |                                              | 16kA               |                  |                           |
| CM-1QV<br>雙比<br>DOUBLE RATIO | 10-5, 20-10, 30-15, 40-20,<br>50-25, 100-50, 150-75,<br>200-100 250-125, | 5                       | 40VA / 1.0                                   | 40In               | 5.5              | FIG.1                     |
|                              | 300-150, 400-200, 600-300,<br>700-350, 800-400                           |                         |                                              | 16kA               |                  |                           |

依據標準(STANDARD)：CNS 11437、IEC 60044-1。使用頻率(FREQUENCY)：50 / 60Hz。  
表列外其它規格請直接和本公司洽詢。

# CM-6KV

**用途**

12kV  
樹脂鑄造  
屋內計測用



**Usage**

12kV  
Epoxy Resin Molded  
For Indoor Application  
(Measuring)

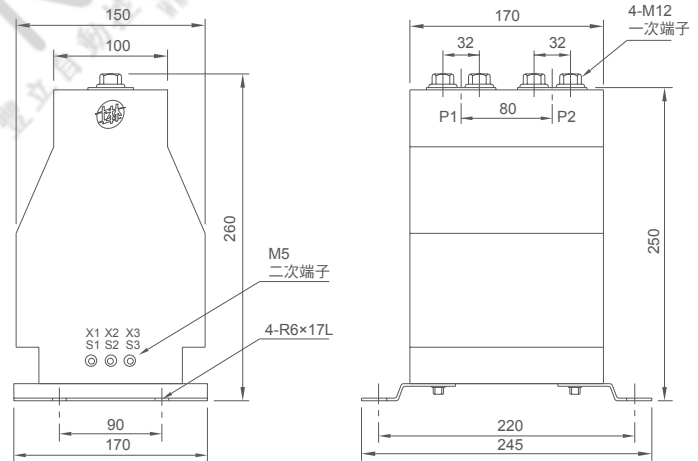


FIG.2 CM-6KV

| 型號<br>TYPE                   | 一次電流(A)<br>PRI. CURRENT                                                                        | 二次電流(A)<br>SEC. CURRENT | 額定負擔/準確度<br>RATED OUTPUT &<br>ACCURACY CLASS | 過電流<br>強度<br>- /1s | 重量(kg)<br>WEIGHT | 外觀尺寸<br>(mm)<br>DIMENSION |
|------------------------------|------------------------------------------------------------------------------------------------|-------------------------|----------------------------------------------|--------------------|------------------|---------------------------|
| CM-6KV<br>單比<br>SINGLE RATIO | 5, 10, 20, 25, 30, 40, 50, 60,<br>75, 100, 120, 150, 200, 250                                  |                         |                                              | 100In              |                  |                           |
|                              | 300, 350, 400, 500, 600, 700,<br>750, 800, 1000                                                |                         |                                              | 25kA               |                  |                           |
| CM-6KV<br>雙比<br>DOUBLE RATIO | 10-5, 20-10, 30-15, 40-20, 50-25,<br>60-30, 80-40, 100-50, 120-60,<br>150-75, 200-100, 250-125 | 5<br>1                  | 40VA / 1.0<br>15VA / 0.5                     | 100In              | 12               | FIG.2                     |
|                              | 300-150, 400-200, 500-250,<br>600-300, 800-400, 1000-500                                       |                         |                                              | 25kA               |                  |                           |

依據標準(STANDARD)：CNS 11437、IEC 60044-1。使用頻率(FREQUENCY)：50 / 60Hz。  
表列外其它規格請直接和本公司洽詢。

# CG-1QV

**用途**

12kV  
樹脂貫穿型  
屋內計測用

**Usage**

12kV  
Epoxy Resin Molded Window Type  
For Indoor Application (Measuring)

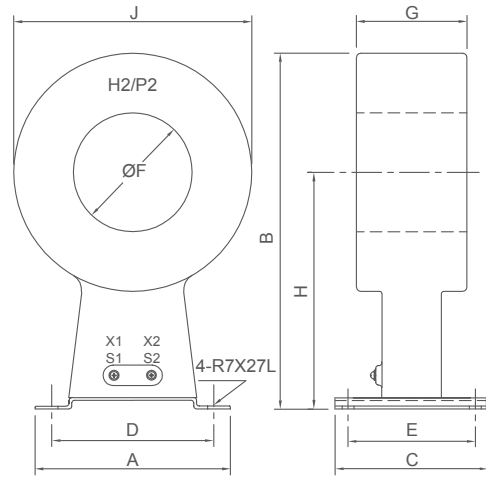


FIG.1 CG-1QV

| 型號<br>TYPE                      | 一次電流(A)<br>PRI. CURRENT                                             | 二次電流<br>(A) SEC.<br>CURRENT | 額定負擔/準確度<br>RATED OUTPUT &<br>ACCURACY CLASS | 過電流<br>強度<br>- /1s | 重量<br>(kg)<br>WEIGHT | 外觀尺寸(mm) DIMENSION |     |     |     |     |     |     |     |     |
|---------------------------------|---------------------------------------------------------------------|-----------------------------|----------------------------------------------|--------------------|----------------------|--------------------|-----|-----|-----|-----|-----|-----|-----|-----|
|                                 |                                                                     |                             |                                              |                    |                      | A                  | B   | C   | D   | E   | ØF  | G   | H   | J   |
| CG-1QV<br>單比<br>SINGLE<br>RATIO | 100, 125                                                            | 5                           | 40VA / 3.0                                   | 100In              | 25                   | 200                | 355 | 140 | 160 | 100 | 50  | 175 | 245 | 220 |
|                                 | 150                                                                 | 5                           | 40VA / 1.0                                   |                    |                      | 230                | 420 | 180 | 190 | 150 | 140 | 130 | 280 | 280 |
|                                 | 200, 250, 300, 350,<br>400, 500, 600                                | 5                           | 40VA / 1.0                                   | 100In              | 30                   | 230                | 420 | 180 | 190 | 150 | 140 | 130 | 280 | 280 |
| CG-1QV<br>雙比<br>DOUBLE<br>RATIO | 1200, 1500, 2000,<br>2500, 3000, 3500,<br>4000, 4500, 5000,<br>6000 | 5                           | 40VA / 1.0                                   | 100In              | 20                   | 200                | 425 | 140 | 160 | 100 | 140 | 90  | 295 | 260 |
|                                 | 1200-600,<br>2000-1000,<br>3000-1500,<br>4000-2000,<br>5000-2500    | 5                           | 40VA / 1.0                                   | 100In              | 20                   | 200                | 425 | 140 | 160 | 100 | 140 | 90  | 295 | 260 |

# CM-12T

**用途**

12kV  
樹脂鑄造  
屋內外計測用

**Usage**

12kV  
Epoxy Resin Molded  
For Indoor & Outdoor  
Application (Measuring)

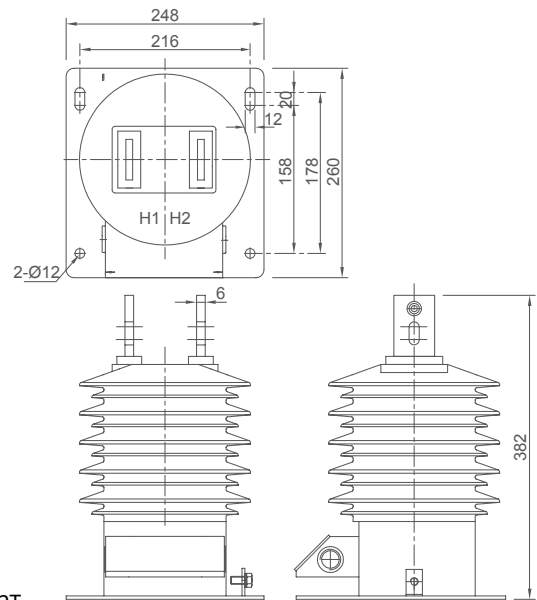


FIG.2 CM-12T

| 型號<br>TYPE | 一次電流(A)<br>PRI. CURRENT                                  | 二次電流(A)<br>SEC. CURRENT | 額定負擔/準確度<br>RATED OUTPUT &<br>ACCURACY CLASS | 過電流<br>強度<br>- /1s | 重量(kg)<br>WEIGHT | 外觀尺寸<br>(mm)<br>DIMENSION |
|------------|----------------------------------------------------------|-------------------------|----------------------------------------------|--------------------|------------------|---------------------------|
| CM-12T     | 5, 10, 20, 25, 30, 40, 50, 60, 75,<br>100, 150, 200, 250 | 5                       | 40VA / 1.0                                   | 100In              | 19               | FIG.2                     |
|            | 300, 350, 400, 500, 600, 800                             | 1                       | 15VA / 0.5                                   | 25kA               |                  |                           |

依據標準(STANDARD) : CNS 11437、IEC 60044-1。使用頻率(FREQUENCY) : 50 / 60Hz。表列外其它規格請直接和本公司洽詢。

# CM-2KV

**用途**

24kV  
樹脂鑄造  
屋內計測用



**Usage**

24kV  
Epoxy Resin Molded  
For Indoor Application  
(Measuring)

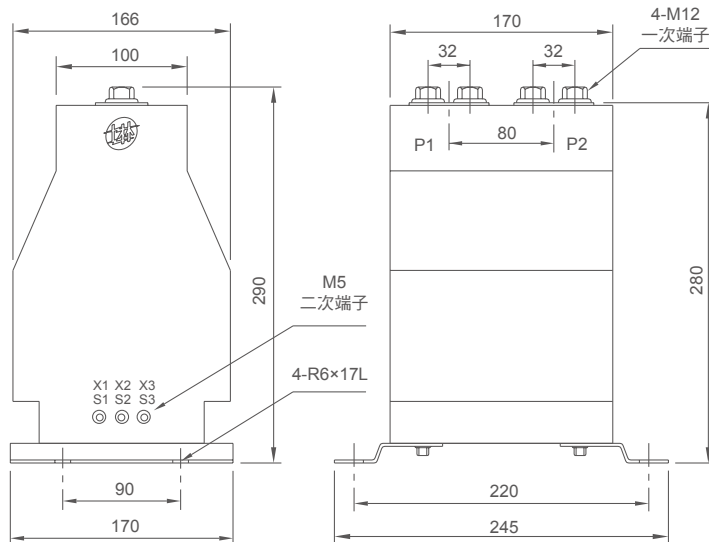


FIG.1 CM-2KV

| 型號<br>TYPE                   | 一次電流(A)<br>PRI. CURRENT                                                                           | 二次電流(A)<br>SEC. CURRENT | 額定負擔/準確度<br>RATED OUTPUT &<br>ACCURACY CLASS | 過電流<br>強度<br>- /1s | 重量(kg)<br>WEIGHT | 外觀尺寸(mm)<br>DIMENSION |
|------------------------------|---------------------------------------------------------------------------------------------------|-------------------------|----------------------------------------------|--------------------|------------------|-----------------------|
| CM-2KV<br>單比<br>SINGLE RATIO | 5, 10, 20, 25, 30, 40, 50, 60,<br>75, 100, 120, 150, 200, 250                                     |                         |                                              | 100In<br>25kA      |                  |                       |
| CM-2KV<br>雙比<br>DOUBLE RATIO | 10-5, 20-10, 30-15, 40-20,<br>50-25, 60-30, 80-40,<br>100-50, 120-60, 150-75,<br>200-100, 250-125 | 5<br>1                  | 40VA / 1.0<br>15VA / 0.5                     | 100In<br>25kA      | 15               | FIG.1                 |

# CM-2QV

**用途**

24kV  
樹脂鑄造  
屋內計測用



**Usage**

24kV  
Epoxy Resin Molded  
For Indoor Application  
(Measuring)

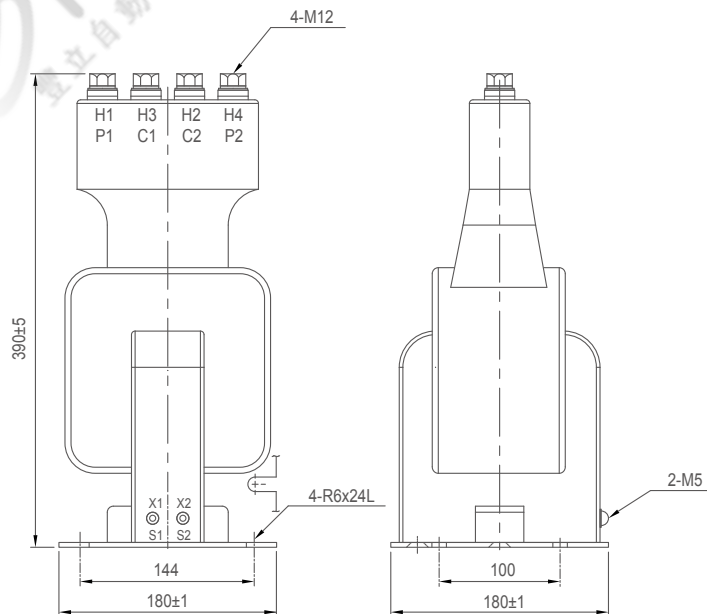


FIG.2 CM-2QV

| 型號<br>TYPE                   | 一次電流(A)<br>PRI. CURRENT                                                                  | 二次電流(A)<br>SEC. CURRENT | 額定負擔/準確度<br>RATED OUTPUT &<br>ACCURACY CLASS | 過電流<br>強度<br>- /1s | 重量(kg)<br>WEIGHT | 外觀尺寸(mm)<br>DIMENSION |
|------------------------------|------------------------------------------------------------------------------------------|-------------------------|----------------------------------------------|--------------------|------------------|-----------------------|
| CM-2QV<br>雙比<br>DOUBLE RATIO | 10-5, 20-10, 30-15, 40-20,<br>50-25, 60-30, 80-40,<br>100-50, 120-60, 150-75,<br>200-100 | 5                       | 40VA / 1.0                                   | 40In               | 13               | FIG.2                 |

依據標準(STANDARD) : CNS 11437、IEC 60044-1。使用頻率(FREQUENCY) : 50 / 60Hz。  
表列外其它規格請直接和本公司洽詢。

# CG-2MV

**用途**

24kV  
樹脂貫穿型  
屋內計測用

**Usage**

24kV  
Epoxy Resin Molded Window Type  
For Indoor Application (Measuring)

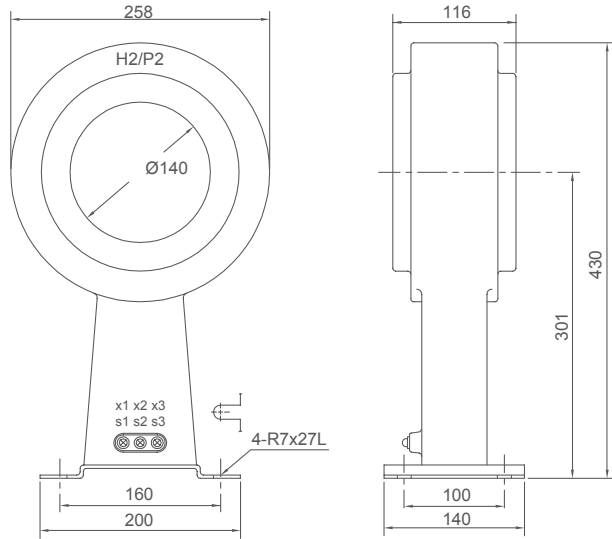


FIG.1 CG-2MV

| 型號<br>TYPE                   | 一次電流(A)<br>PRI. CURRENT                                          | 二次電流(A)<br>SEC. CURRENT | 額定負擔/準確度<br>RATED OUTPUT &<br>ACCURACY CLASS | 過電流<br>強度<br>-/1s | 重量(kg)<br>WEIGHT | 外觀尺寸<br>(mm)<br>DIMENSION |
|------------------------------|------------------------------------------------------------------|-------------------------|----------------------------------------------|-------------------|------------------|---------------------------|
| CG-2MV<br>單比<br>SINGLE RATIO | 1200, 1400, 1500, 2000, 2500, 3000                               | 5                       | 15VA / 0.5<br>30VA / 0.5<br>40VA / 1.0       | 100In             | 12               | FIG.1                     |
| CG-2MV<br>雙比<br>DOUBLE RATIO | 1200-600, 1400-700, 1500-750,<br>2000-1000, 2500-1250, 3000-1500 | 5                       |                                              |                   |                  |                           |

依據標準(STANDARD)：CNS 11437、IEC 60044-1。使用頻率(FREQUENCY)：50 / 60Hz。  
表列外其它規格請直接和本公司洽詢。

# CM-24T

**用途**

24kV  
樹脂鑄造  
屋內外計測用  
爬電距離

**Usage**

24kV  
Epoxy Resin Molded  
For Indoor & Outdoor  
Application (Measuring)  
Creepage Distance 590mm

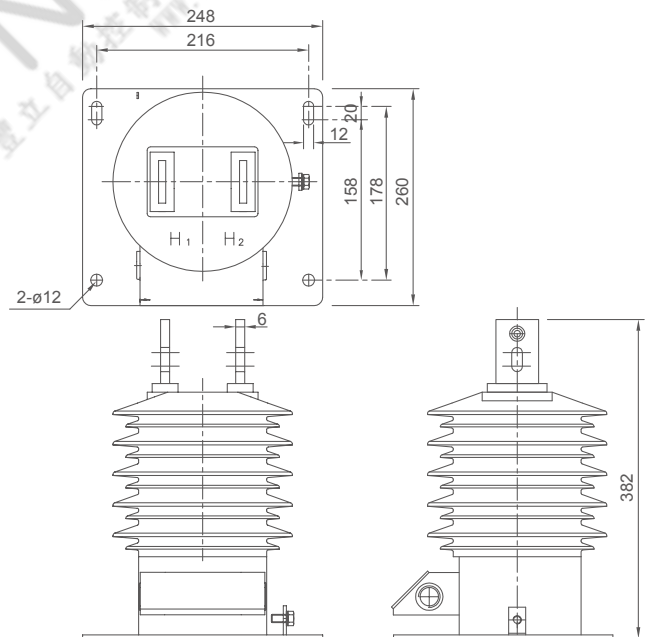


FIG.2 CM-24T

| 型號<br>TYPE | 一次電流(A)<br>PRI. CURRENT                                  | 二次電流(A)<br>SEC. CURRENT | 額定負擔/準確度<br>RATED OUTPUT &<br>ACCURACY CLASS | 過電流<br>強度<br>-/1s | 重量(kg)<br>WEIGHT | 外觀尺寸(mm)<br>DIMENSION |
|------------|----------------------------------------------------------|-------------------------|----------------------------------------------|-------------------|------------------|-----------------------|
| CM-24T     | 5, 10, 20, 25, 30, 40, 50, 60,<br>75, 100, 150, 200, 250 | 5<br>1                  | 40VA / 1.0<br>15VA / 0.5                     | 100In<br>25kA     | 19               | FIG.2                 |

依據標準(STANDARD)：CNS 11437、IEC 60044-1。使用頻率(FREQUENCY)：50 / 60Hz。  
表列外其他規格請直接和本公司洽詢。

# CM-6RV

**用途**

7.2kV  
樹脂鑄造  
屋內保護用



**Usage**

7.2kV  
Epoxy Resin Molded  
For Indoor Application  
(Protective)

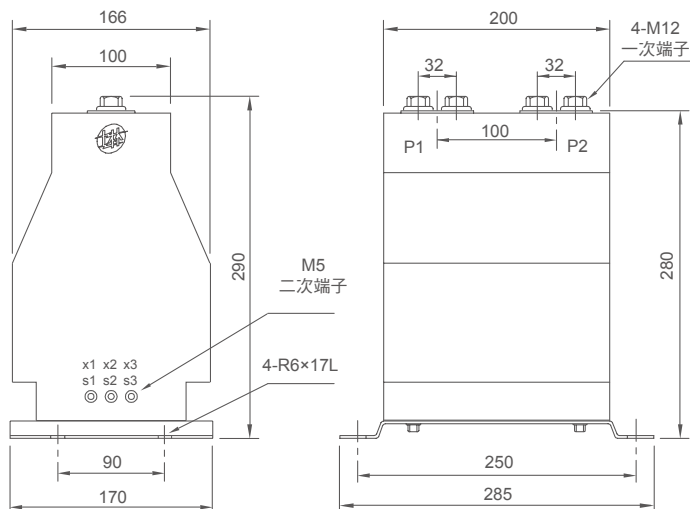


FIG.1 CM-6RV

| 型號<br>TYPE                   | 一次電流(A)<br>PRI. CURRENT                                                                        | 二次電流(A)<br>SEC. CURRENT | 額定負擔/準確度<br>RATED OUTPUT &<br>ACCURACY CLASS | 過電流強度<br>- /1s | 重量(kg)<br>WEIGHT | 外觀尺寸<br>(mm)<br>DIMENSION |
|------------------------------|------------------------------------------------------------------------------------------------|-------------------------|----------------------------------------------|----------------|------------------|---------------------------|
| CM-6RV<br>單比<br>SINGLE RATIO | 5, 10, 20, 25, 30, 40, 50, 60, 75, 80,<br>100, 120, 150, 200, 250                              | 5                       | 10VA / 5P20                                  | 100In          | 19               | FIG.1                     |
|                              | 300, 350, 400, 500, 600, 700, 750,<br>800, 1000                                                |                         | 10VA / 10P20<br>15VA / 5P20                  | 25kA           |                  |                           |
| CM-6RV<br>雙比<br>DOUBLE RATIO | 10-5, 20-10, 30-15, 40-20, 50-25,<br>60-30, 80-40, 100-50, 120-60, 150-75,<br>200-100, 250-125 | 5                       | 15VA / 10P20<br>30VA / 5P10<br>40VA / 5P10   | 100In          | 19               | FIG.1                     |
|                              | 300-150, 400-200, 500-250, 600-300,<br>800-400, 1000-500                                       |                         |                                              | 25kA           |                  |                           |

依據標準(STANDARD)：CNS 11437、IEC 60044-1。使用頻率(FREQUENCY)：50 / 60Hz。表列外其它規格請直接和本公司洽詢。

# CG-6QV

**用途**

7.2kV  
樹脂貫穿型  
屋內保護用



**Usage**

7.2kV  
Epoxy Resin Molded Window Type  
For Indoor Application (Protective)

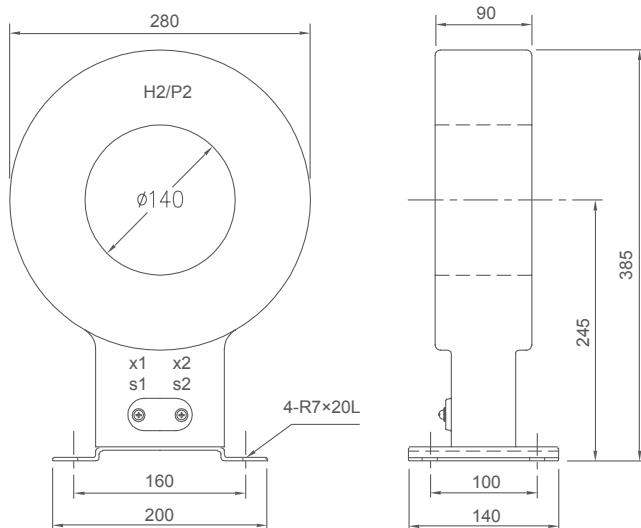


FIG.2 CG-6QV

| 型號<br>TYPE                   | 一次電流(A)<br>PRI. CURRENT                                 | 二次電流(A)<br>SEC. CURRENT | 額定負擔/準確度<br>RATED OUTPUT &<br>ACCURACY CLASS | 過電流強度<br>- /1s | 重量(kg)<br>WEIGHT | 外觀尺寸(mm)<br>DIMENSION |
|------------------------------|---------------------------------------------------------|-------------------------|----------------------------------------------|----------------|------------------|-----------------------|
| CG-6QV<br>單比<br>SINGLE RATIO | 1200, 1400, 1500, 2000, 2500,<br>3000, 3200, 3500, 4000 | 5                       | 15VA / 10P20                                 | 100In          | 16               | FIG.2                 |

依據標準(STANDARD)：CNS 11437、IEC 60044-1。使用頻率(FREQUENCY)：50 / 60Hz。表列外其它規格請直接和本公司洽詢。



# CM-1RV

**用途**

12kV  
樹脂鑄造  
屋內保護用

**Usage**

12kV  
Epoxy Resin Molded  
For Indoor Application  
(Protective)

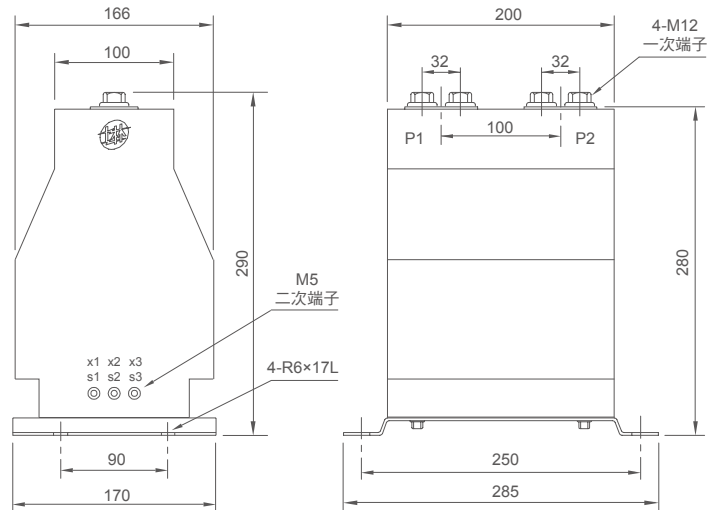


FIG.1 CM-1RV

| 型號<br>TYPE                      | 一次電流(A)<br>PRI. CURRENT                        | 二次電流(A)<br>SEC. CURRENT | 額定負擔/準確度<br>RATED OUTPUT &<br>ACCURACY CLASS | 過電流強度<br>- /1s | 重量(kg)<br>WEIGHT | 外觀尺寸(mm)<br>DIMENSION |
|---------------------------------|------------------------------------------------|-------------------------|----------------------------------------------|----------------|------------------|-----------------------|
| CM-1RV<br>單比<br>SINGLE<br>RATIO | 5, 10, 30, 50, 60, 80<br>100, 150, 200, 250    | 5                       | 10VA / 5P20                                  | 100In          | 19               | FIG.1                 |
|                                 | 300, 500, 600, 800, 1000                       |                         | 10VA / 10P20                                 | 25kA           |                  |                       |
| CM-1RV<br>雙比<br>DOUBLE<br>RATIO | 20-10, 50-25, 80-40<br>100-50, 150-75, 200-100 |                         | 15VA / 5P20                                  | 100In          |                  |                       |
|                                 | 300-150, 400-200<br>800-400, 100-500           |                         | 15VA / 10P20                                 | 25kA           |                  |                       |
|                                 |                                                |                         | 30VA / 5P10                                  |                |                  |                       |
|                                 |                                                |                         | 40VA / 5P10                                  |                |                  |                       |

# CM-6FV

**用途**

7.2kV  
樹脂鑄造  
屋內保護用

**Usage**

7.2kV  
Epoxy Resin Molded  
For Indoor Application  
(Protective)

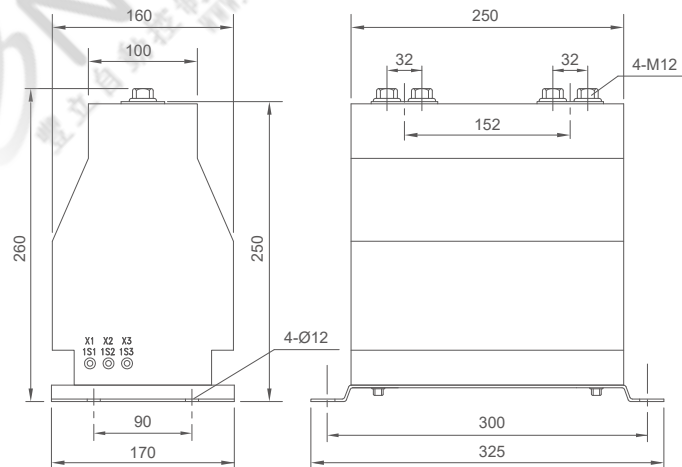


FIG.1 CM-6FV

| 型號<br>TYPE                             | 一次電流(A)<br>PRI. CURRENT                        | 二次電流(A)<br>SEC. CURRENT | 額定負擔/準確度<br>RATED OUTPUT &<br>ACCURACY CLASS | 過電流強度<br>- /1s | 重量(kg)<br>WEIGHT | 外觀尺寸(mm)<br>DIMENSION |
|----------------------------------------|------------------------------------------------|-------------------------|----------------------------------------------|----------------|------------------|-----------------------|
| CM-6FV<br>單比<br>單鐵心<br>SINGLE<br>RATIO | 5, 10, 30, 50, 60, 80<br>100, 150, 200, 250    | 5                       | 25VA / 5P20                                  | 100In          | 22               | FIG.1                 |
|                                        | 300, 500, 600, 800, 1000                       |                         | 25VA / 10P20                                 | 25kA           |                  |                       |
| CM-6FV<br>雙比<br>雙鐵心<br>DOUBLE<br>RATIO | 20-10, 50-25, 80-40<br>100-50, 150-75, 200-100 |                         | 30VA / 5P20                                  | 100In          |                  |                       |
|                                        | 300-150, 400-200<br>800-400, 100-500           |                         | 30VA / 10P20                                 | 25kA           |                  |                       |
|                                        |                                                |                         | 35VA / 5P10                                  |                |                  |                       |
|                                        |                                                |                         | 35VA / 10P20                                 |                |                  |                       |
|                                        |                                                |                         | 40VA / 5P10                                  |                |                  |                       |
|                                        |                                                |                         | 40VA / 5P20                                  |                |                  |                       |

依據標準(STANDARD)：CNS 11437、IEC 60044-1。使用頻率(FREQUENCY)：60Hz  
表列外其它規格請直接和本公司洽詢。

# CG-1RV, CG-1KP

**用途**

12kV  
樹脂貫穿型  
屋內保護用

**Usage**

12kV  
Epoxy Resin Molded Window Type  
For Indoor Application (Protective)

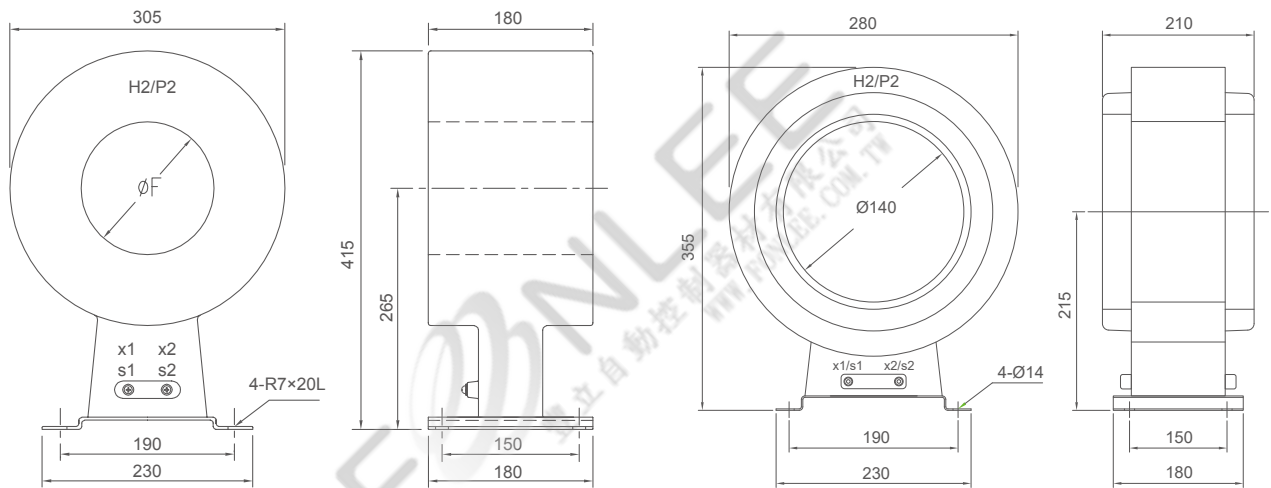


FIG.1 CG-1RV

FIG.2 CG-1KP

| 型號<br>TYPE    | 一次電流(A)<br>PRI. CURRENT                                   | 二次電流(A)<br>SEC. CURRENT | 額定負擔/準確度<br>RATED OUTPUT &<br>ACCURACY CLASS | 過電流<br>強度<br>- /1s | 重量(kg)<br>WEIGHT | 外觀尺寸(mm)<br>DIMENSION ØF |
|---------------|-----------------------------------------------------------|-------------------------|----------------------------------------------|--------------------|------------------|--------------------------|
| CG-1RV        | 50                                                        | 5                       | 10VA / 10P10                                 | 100In              | 61               | FIG.1<br>Ø90             |
|               | 75                                                        | 5                       | 15VA / 10P10                                 |                    |                  |                          |
|               | 100                                                       | 5                       | 25VA / 10P10                                 |                    |                  |                          |
|               | 125, 150, 200                                             | 5                       | 30VA / 10P10                                 |                    |                  |                          |
|               | 300, 400                                                  | 5                       | 30VA / 5P20                                  |                    |                  |                          |
|               | 500, 600, 800, 1000                                       | 5                       | 40VA / 5P20                                  |                    |                  |                          |
|               | 50                                                        | 5                       | 10VA / 10P5                                  |                    |                  |                          |
| 75            | 5                                                         | 15VA / 10P5             |                                              |                    |                  |                          |
| 100           | 5                                                         | 25VA / 10P5             |                                              |                    |                  |                          |
| 125, 150, 200 | 5                                                         | 30VA / 10P5             |                                              |                    |                  |                          |
| CG-1KP        | 1200, 1500, 2000,<br>2500, 3000, 3500                     | 1<br>5                  | 15VA / 5P20<br>40VA / 5P20                   | 100In              | 30               | FIG.2<br>Ø140            |
|               | 1200-600, 1500-750,<br>2000-1000, 2500-1250,<br>3000-1500 | 1<br>5                  | 20VA / 5P20<br>40VA / 5P20                   |                    |                  |                          |

依據標準(STANDARD)：CNS 11437、IEC 60044-1。使用頻率(FREQUENCY)：50 / 60Hz。  
表列外其它規格請直接和本公司洽詢。

# CM-2RV, CM-2FV

**用途**

24kV  
樹脂鑄造  
屋內保護用



**Usage**

24kV  
Epoxy Resin Molded  
For Indoor Application  
(Protective)

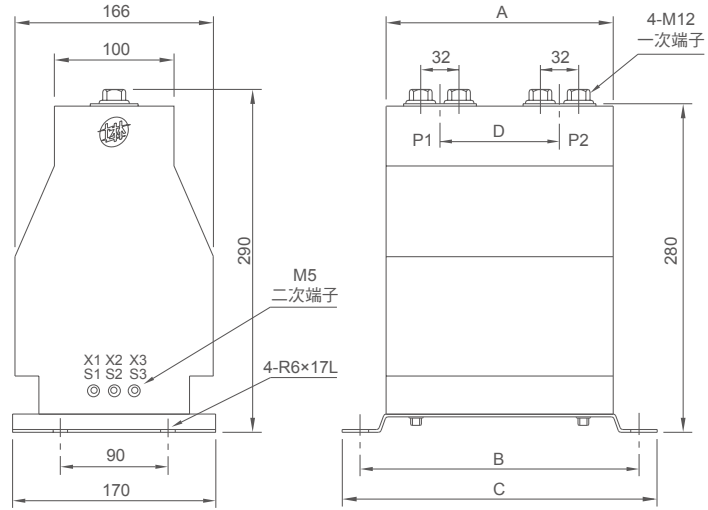


FIG.1 CM-2RV, CM-2FV

| 型號<br>TYPE                   | 一次電流(A)<br>PRI. CURRENT                                                                          | 二次電流<br>(A) SEC.<br>CURRENT | 額定負擔/準確度<br>RATED OUTPUT &<br>ACCURACY CLASS                                              | 過電流<br>強度<br>- /1s | 重量(kg)<br>WEIGHT | 外觀尺寸(mm) DIMENSION |     |     |     |
|------------------------------|--------------------------------------------------------------------------------------------------|-----------------------------|-------------------------------------------------------------------------------------------|--------------------|------------------|--------------------|-----|-----|-----|
|                              |                                                                                                  |                             |                                                                                           |                    |                  | A                  | B   | C   | D   |
| CM-2RV<br>單比<br>SINGLE RATIO | 5, 10, 20, 25, 30, 40, 50, 60, 75,<br>80, 100, 120, 150, 200, 250                                | 5                           | 10VA / 5P20<br>10VA / 10P20<br>15VA / 5P20<br>15VA / 10P20<br>30VA / 5P10<br>40VA / 5P10  | 100In              | 19               | 200                | 250 | 285 | 100 |
|                              | 25kA                                                                                             |                             |                                                                                           |                    |                  |                    |     |     |     |
| CM-2RV<br>雙比<br>DOUBLE RATIO | 10-5, 20-10, 30-15, 40-20, 50-<br>25, 60-30, 80-40, 100-50, 120-<br>60, 150-75, 200-100, 250-125 |                             |                                                                                           | 100In              |                  |                    |     |     |     |
|                              | 300-150, 400-200, 500-250,<br>600-300, 800-400, 1000-500                                         |                             |                                                                                           | 25kA               |                  |                    |     |     |     |
| CM-2FV<br>單比<br>SINGLE RATIO | 5, 10, 20, 25, 30, 40, 50, 60, 75,<br>80, 100, 120, 150, 200, 250                                | 5                           | 25VA / 5P20<br>25VA / 10P20<br>30VA / 5P20<br>30VA / 10P20<br>40VA / 5P20<br>40VA / 10P20 | 100In              | 25               | 250                | 300 | 325 | 152 |
|                              | 25kA                                                                                             |                             |                                                                                           |                    |                  |                    |     |     |     |
| CM-2FV<br>雙比<br>DOUBLE RATIO | 10-5, 20-10, 30-15, 40-20, 50-<br>25, 60-30, 80-40, 100-50, 120-<br>60, 150-75, 200-100, 250-125 |                             |                                                                                           | 100In              |                  |                    |     |     |     |
|                              | 300-150, 400-200, 500-250,<br>600-300, 800-400, 1000-500                                         |                             |                                                                                           | 25kA               |                  |                    |     |     |     |

# CG-2MV

**用途**

24kV  
樹脂貫穿型  
屋內保護用



**Usage**

24kV  
Epoxy Resin Molded Window Type  
For Indoor Application (Protective)

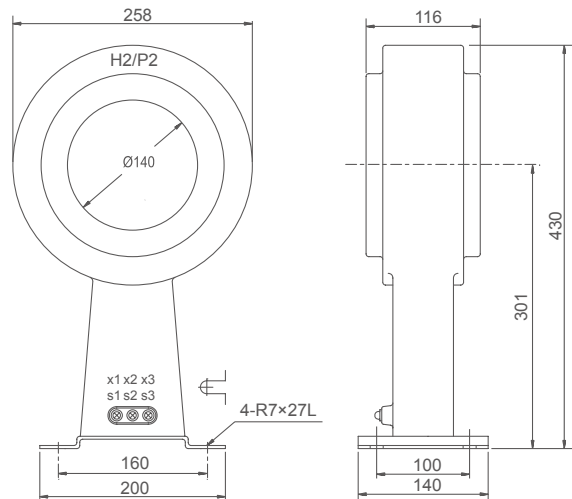


FIG.2 CG-2MV

| 型號<br>TYPE                   | 一次電流(A)<br>PRI. CURRENT                     | 二次電流(A)<br>SEC. CURRENT | 額定負擔/準確度<br>RATED OUTPUT &<br>ACCURACY CLASS | 過電流<br>強度<br>- /1s | 重量(kg)<br>WEIGHT | 外觀尺寸(mm)<br>DIMENSION |
|------------------------------|---------------------------------------------|-------------------------|----------------------------------------------|--------------------|------------------|-----------------------|
| CG-2MV<br>單比<br>SINGLE RATIO | 1200, 1400, 1500, 2000,<br>2500, 3000, 4000 | 5                       | 15VA / 10P20                                 | 100In              | 12               | FIG.2                 |

依據標準 (STANDARD) : CNS 11437、IEC 60044-1。使用頻率 (FREQUENCY) : 50 / 60Hz。表列外其它規格請直接和本公司洽詢。

# CM-2ZV

**用途**

24kV  
樹脂鑄造  
屋內保護用



**Usage**

24kV  
Epoxy Resin Molded  
For Indoor Application  
(Protective)

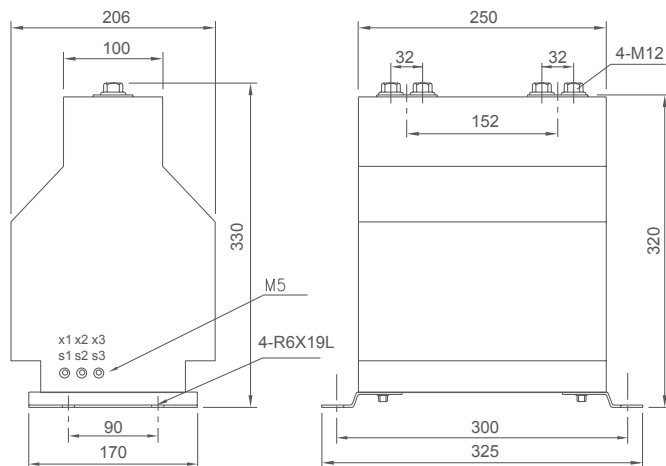


FIG.1 CM-2ZV

| 型號<br>TYPE                      | 一次電流(A)<br>PRI. CURRENT                                                                           | 二次電流(A)<br>SEC. CURRENT | 額定負擔/準確度<br>RATED OUTPUT &<br>ACCURACY CLASS | 過電流強度<br>- /1s | 重量(kg)<br>WEIGHT | 外觀尺寸<br>(mm)<br>DIMENSION |
|---------------------------------|---------------------------------------------------------------------------------------------------|-------------------------|----------------------------------------------|----------------|------------------|---------------------------|
| CM-2ZV<br>單比<br>SINGLE<br>RATIO | 5, 10, 20, 25, 30, 40, 50, 60, 75,<br>80, 100, 120, 150, 200, 250                                 |                         |                                              | 100In<br>25kA  |                  |                           |
| CM-2ZV<br>雙比<br>DOUBLE<br>RATIO | 10-5, 20-10, 30-15, 40-20,<br>50-25, 60-30, 80-40, 100-50,<br>120-60, 150-75, 200-100,<br>250-125 | 5                       | 50VA / 5P20<br>50VA / 10P20                  | 100In<br>25kA  | 36               | FIG.1                     |
|                                 | 300-150, 400-200, 500-250,<br>600-300, 800-400, 1000-500                                          |                         |                                              |                |                  |                           |

依據標準 (STANDARD) : CNS 11437、IEC 60044-1。使用頻率 (FREQUENCY) : 50 / 60Hz。表列外其它規格請直接和本公司洽詢。

# CM-3KV

**用途**

36kV  
樹脂鑄造  
屋內保護用



**Usage**

36kV  
Epoxy Resin Molded  
For Indoor Application  
(Protective)

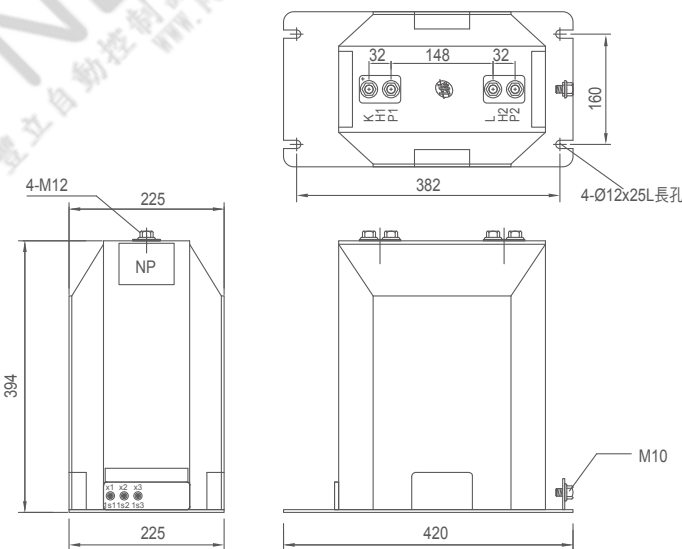


FIG.2 CM-3KV

| 型號<br>TYPE                      | 一次電流(A)<br>PRI. CURRENT                                                                           | 二次電流(A)<br>SEC. CURRENT | 額定負擔/準確度<br>RATED OUTPUT &<br>ACCURACY CLASS | 過電流強度<br>- /1s | 重量(kg)<br>WEIGHT | 外觀尺寸<br>(mm)<br>DIMENSION |
|---------------------------------|---------------------------------------------------------------------------------------------------|-------------------------|----------------------------------------------|----------------|------------------|---------------------------|
| CM-3KV<br>單比<br>SINGLE<br>RATIO | 5, 10, 20, 25, 30, 40, 50, 60, 75,<br>80, 100, 120, 150, 200, 250                                 |                         |                                              | 100In<br>25kA  |                  |                           |
| CM-3KV<br>雙比<br>DOUBLE<br>RATIO | 10-5, 20-10, 30-15, 40-20,<br>50-25, 60-30, 80-40, 100-50,<br>120-60, 150-75, 200-100,<br>250-125 | 5                       | 25VA / 5P20<br>25VA / 10P20                  | 100In<br>25kA  | 44               | FIG.2                     |
|                                 | 300-150, 400-200, 500-250,<br>600-300, 800-400, 1000-500                                          |                         |                                              |                |                  |                           |

依據標準 (STANDARD) : CNS 11437、IEC 60044-1。使用頻率 (FREQUENCY) : 50 / 60Hz。表列外其它規格請直接和本公司洽詢。

## CGD-QV

## 用途

0.66kV

樹脂貫穿型

屋內計測 &amp; 保護用

## Usage

0.66kV

Epoxy Resin Molded Window Type

For Indoor Application (Measuring &amp; Protective)

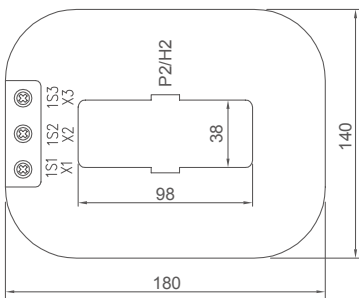


FIG.1 CGD-QV

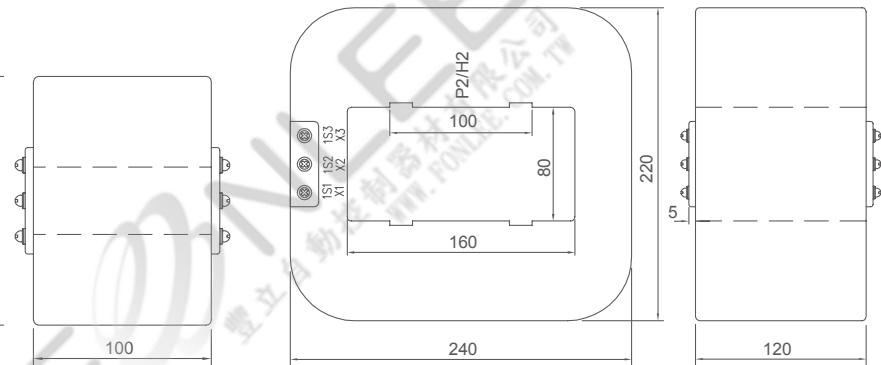


FIG.2 CGD-QV

| 型號<br>TYPE                   | 一次電流(A)<br>PRI. CURRENT | 二次電流(A)<br>SEC. CURRENT | 額定負擔/準確度<br>RATED OUTPUT &<br>ACCURACY CLASS | 過電流強度<br>- /1s | 重量(kg)<br>WEIGHT | 外觀尺(mm)<br>DIMENSION |
|------------------------------|-------------------------|-------------------------|----------------------------------------------|----------------|------------------|----------------------|
| CGD-QV<br>雙比<br>DOUBLE RATIO | 1200-600                | 5 / 5                   | 25VA-1.0 / 15VA-10P10                        | 40In           | 7                | 38×98<br>FIG.1       |
| CGD-QV<br>單比<br>SINGLE RATIO | 3000, 4000              | 5 / 5                   | 25VA-1.0 / 15VA-10P10                        | 40In           | 13               | 80×160<br>FIG.2      |

依據標準 (STANDARD) : CNS 11437、IEC 60044-1。使用頻率 (FREQUENCY) : 50 / 60Hz。

表中二次電流、負擔、準確度之標示意義為：量測值/保護值，表列外其它規格請直接和本公司洽詢。

## CGD-6MV

## 用途

7.2kV  
樹脂貫穿型  
屋內計測 & 保護用

## Usage

7.2kV  
Epoxy Resin Molded Window Type  
For Indoor Application  
(Measuring & Protective)

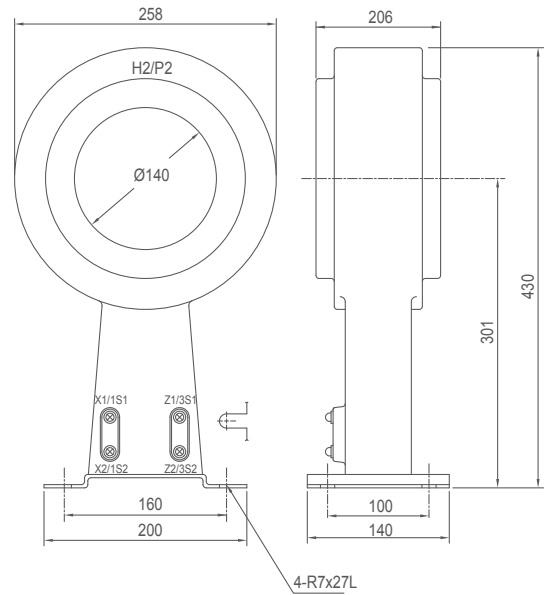


FIG.1

| 型號<br>TYPE                        | 一次電流(A)<br>PRI. CURRENT                                                           | 二次電流(A)<br>SEC. CURRENT | 額定負擔/準確度<br>RATED OUTPUT &<br>ACCURACY CLASS                          | 過電流<br>強度<br>- /1s | 重量(kg)<br>WEIGHT | 外觀尺寸<br>(mm)<br>DIMENSION |
|-----------------------------------|-----------------------------------------------------------------------------------|-------------------------|-----------------------------------------------------------------------|--------------------|------------------|---------------------------|
| CGD-6MV<br>單比 雙鐵心<br>SINGLE RATIO | 1200, 1400, 1500, 2000,<br>2500, 3000                                             |                         | 15VA-0.5 / 15VA-10P20<br>15VA-0.5 / 15VA-5P20<br>20VA-1.0 / 20VA-5P20 |                    |                  |                           |
| CGD-6MV<br>雙比 雙鐵心<br>DOUBLE RATIO | 1200-600, 1400-700,<br>1500-750, 2000-1000,<br>2500-1250, 3000-1500,<br>4000-2000 | 5 / 5                   | 30VA-1.0 / 15VA-10P20<br>30VA-1.0 / 30VA-5P10<br>30VA-1.0 / 15VA-5P20 | 100In              | 22               | FIG.1                     |

## CGD-1MV, CGT-1MV

## 用途

12kV  
樹脂貫穿型  
屋內計測 & 保護用

## Usage

12kV  
Epoxy Resin Molded Window Type  
For Indoor Application  
(Measuring & Protective)

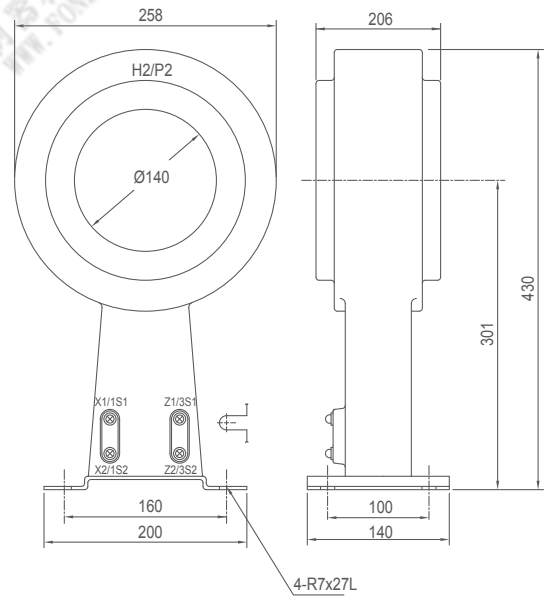


FIG.2

| 型號<br>TYPE                        | 一次電流(A)<br>PRI. CURRENT                                             | 二次電流(A)<br>SEC.<br>CURRENT | 額定負擔/準確度<br>RATED OUTPUT &<br>ACCURACY CLASS                          | 過電流<br>強度<br>- /1s | 重量(kg)<br>WEIGHT | 外觀尺寸<br>(mm)<br>DIMENSION |
|-----------------------------------|---------------------------------------------------------------------|----------------------------|-----------------------------------------------------------------------|--------------------|------------------|---------------------------|
| CGD-1MV<br>單比 雙鐵心<br>SINGLE RATIO | 1200, 1400, 1500,<br>2000, 2500, 3000                               |                            | 15VA-0.5 / 15VA-10P20<br>15VA-0.5 / 15VA-5P20<br>20VA-1.0 / 20VA-5P20 |                    |                  |                           |
| CGD-1MV<br>雙比 雙鐵心<br>DOUBLE RATIO | 1200-600, 1400-700,<br>1500-750, 2000-1000,<br>2500-1250, 3000-1500 | 5 / 5                      | 30VA-1.0 / 15VA-10P20<br>30VA-1.0 / 30VA-5P10<br>30VA-1.0 / 15VA-5P20 | 100In              | 22               | FIG.1                     |
| CGT-1MV<br>單比 三鐵心<br>SINGLE RATIO | 1200, 1400, 1500,<br>2000, 2500, 3000                               | 5 / 5 / 5                  | 30VA-1.0 / 30VA-5P10 / 30VA-5P10                                      | 100In              | 22               | FIG.2                     |

依據標準 (STANDARD) : CNS 11437 / IEC 60044-1。使用頻率 (FREQUENCY) : 50 / 60Hz。  
表中二次電流、負擔、準確度之標示意義為：量測值 / 保護值，表列外其它規格請直接和本公司洽詢。

## CGD-2MV, CGT-2MV

## 用途

24kV  
樹脂貫穿型  
屋內計測 & 保護用

## Usage

24kV  
Epoxy Resin Molded Window Type  
For Indoor Application  
(Measuring & Protective)

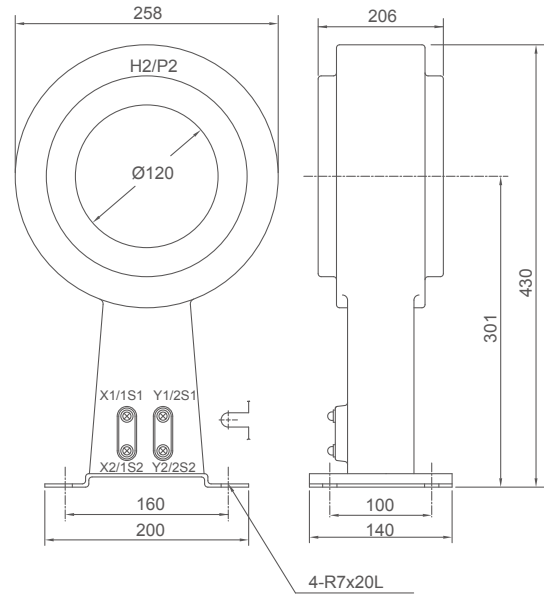


FIG.1 CGD-2MV

| 型號<br>TYPE                       | 一次電流(A)<br>PRI. CURRENT                                             | 二次電流(A)<br>SEC.<br>CURRENT | 額定負擔/準確度<br>RATED OUTPUT &<br>ACCURACY CLASS  | 過電流<br>強度<br>- /1s | 重量(kg)<br>WEIGHT | 外觀尺寸<br>(mm)<br>DIMENSION |
|----------------------------------|---------------------------------------------------------------------|----------------------------|-----------------------------------------------|--------------------|------------------|---------------------------|
| CGD-2MV<br>單比雙鐵心<br>SINGLE RATIO | 1200, 1400, 1500, 2000, 2500,<br>3000                               | 5 / 5                      | 15VA-1.0 / 15VA-5P20<br>15VA-0.5 / 15VA-10P20 | 100In              | 22               | FIG.1                     |
| CGD-2MV<br>雙比雙鐵心<br>DOUBLE RATIO | 1200-600, 1400-700, 1500-750,<br>2000-1000, 2500-1250,<br>3000-1500 |                            | 30VA-1.0 / 15VA-5P20<br>30VA-1.0 / 15VA-10P20 |                    |                  |                           |

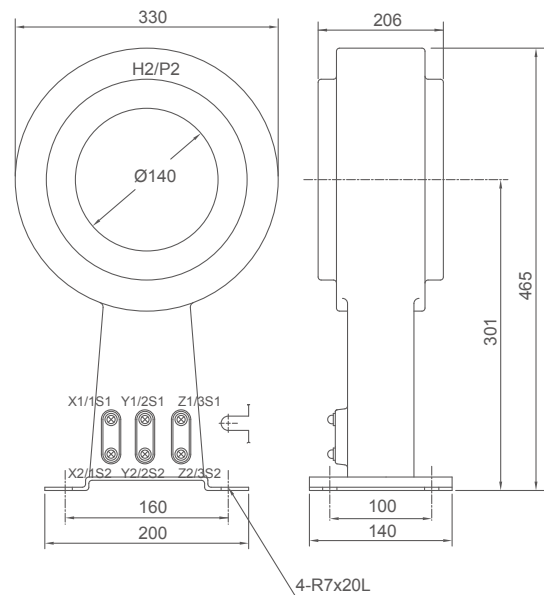


FIG.2 CGT-2MV

| 型號<br>TYPE                       | 一次電流(A)<br>PRI. CURRENT         | 二次電流(A)<br>SEC.<br>CURRENT | 額定負擔/準確度<br>RATED OUTPUT &<br>ACCURACY CLASS                         | 過電流<br>強度<br>- /1s | 重量(kg)<br>WEIGHT | 外觀尺寸<br>(mm)<br>DIMENSION |
|----------------------------------|---------------------------------|----------------------------|----------------------------------------------------------------------|--------------------|------------------|---------------------------|
| CGT-2MV<br>單比三鐵心<br>SINGLE RATIO | 1200, 1400, 1500,<br>2000, 2500 | 5 / 5 / 5                  | 30VA-1.0 / 30VA-5P10 / 30VA-5P10<br>30VA-0.5 / 30VA-5P20 / 30VA-5P20 | 100In              | 34               | FIG.2                     |

依據標準 (STANDARD) : CNS 11437、IEC 60044-1。使用頻率 (FREQUENCY) : 50 / 60Hz。

表中二次電流、負擔、準確度之標示意義為：量測值 / 保護值。表列外其它規格請直接和本公司洽詢。

# CMD-1SV

## 用途

12kV  
樹脂鑄造  
屋內計測 & 保護用

## Usage

12kV  
Epoxy Resin Molded  
For Indoor Application  
(Measuring & Protective)

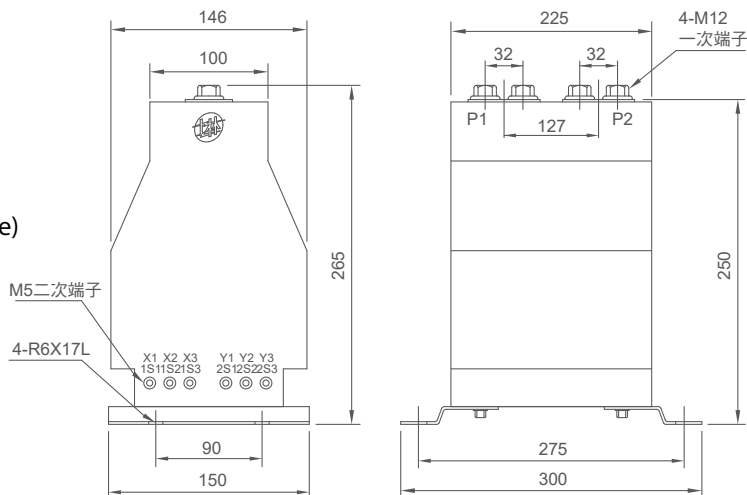


FIG.1 CMD-1SV

| 型號<br>TYPE                        | 一次電流(A)<br>PRI. CURRENT                                                                        | 二次電流(A)<br>SEC. CURRENT | 額定負擔/準確度<br>RATED OUTPUT &<br>ACCURACY CLASS  | 過電流<br>強度<br>- /1s | 重量(kg)<br>WEIGHT | 外觀尺寸<br>(mm)<br>DIMENSION |
|-----------------------------------|------------------------------------------------------------------------------------------------|-------------------------|-----------------------------------------------|--------------------|------------------|---------------------------|
| CMD-1SV<br>單比 雙鐵心<br>SINGLE RATIO | 5, 10, 20, 25, 30, 40, 50, 60, 75, 80,<br>100, 120, 150, 200, 250                              | 5 / 5                   | 15VA-1.0 / 15VA-5P20<br>15VA-1.0 / 15VA-10P20 | 40In               | 18               | FIG.1                     |
|                                   | 300, 350, 400, 500, 600, 700, 750,<br>800, 1000                                                |                         |                                               | 25kA               |                  |                           |
| CMD-1SV<br>雙比 雙鐵心<br>DOUBLE RATIO | 10-5, 20-10, 30-15, 40-20, 50-25,<br>60-30, 80-40, 100-50, 120-60,<br>150-75, 200-100, 250-125 | 5 / 5                   | 15VA-1.0 / 15VA-5P20<br>15VA-1.0 / 15VA-10P20 | 40In               | 18               | FIG.1                     |
|                                   | 300-150, 400-200, 500-250,<br>600-300, 800-400, 1000-500                                       |                         |                                               | 25kA               |                  |                           |

# CMD-2SV

## 用途

24kV  
樹脂鑄造  
屋內計測 & 保護用

## Usage

24kV  
Epoxy Resin Molded  
For Indoor Application  
(Measuring & Protective)

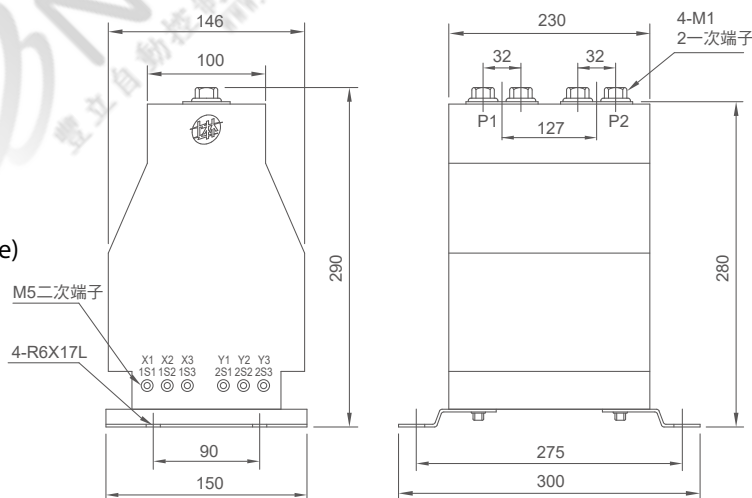


FIG.2 CMD-2SV

| 型號<br>TYPE                        | 一次電流(A)<br>PRI. CURRENT                                                                        | 二次電流(A)<br>SEC. CURRENT | 額定負擔/準確度<br>RATED OUTPUT &<br>ACCURACY CLASS                                               | 過電流<br>強度<br>- /1s | 重量(kg)<br>WEIGHT | 外觀尺寸<br>(mm)<br>DIMENSION |
|-----------------------------------|------------------------------------------------------------------------------------------------|-------------------------|--------------------------------------------------------------------------------------------|--------------------|------------------|---------------------------|
| CMD-2SV<br>單比 雙鐵心<br>SINGLE RATIO | 5, 10, 20, 25, 30, 40, 50, 60, 75, 80,<br>100, 120, 150, 200, 250                              | 5 / 5                   | 15VA-1.0 / 15VA-5P20<br>15VA-1.0 / 15VA-10P20<br>30VA-1.0/15VA-5P20<br>30VA-1.0/15VA-10P20 | 40In               | 20               | FIG.2                     |
|                                   | 300, 350, 400, 500, 600, 700, 750,<br>800, 1000                                                |                         |                                                                                            | 25kA               |                  |                           |
| CMD-2SV<br>雙比 雙鐵心<br>DOUBLE RATIO | 10-5, 20-10, 30-15, 40-20, 50-25,<br>60-30, 80-40, 100-50, 120-60,<br>150-75, 200-100, 250-125 | 5 / 5                   | 15VA-1.0 / 15VA-5P20<br>15VA-1.0 / 15VA-10P20<br>30VA-1.0/15VA-5P20<br>30VA-1.0/15VA-10P20 | 40In               | 20               | FIG.2                     |
|                                   | 300-150, 400-200, 500-250,<br>600-300, 800-400, 1000-500                                       |                         |                                                                                            | 25kA               |                  |                           |



# CMD-2KV

用途 Usage

24kV

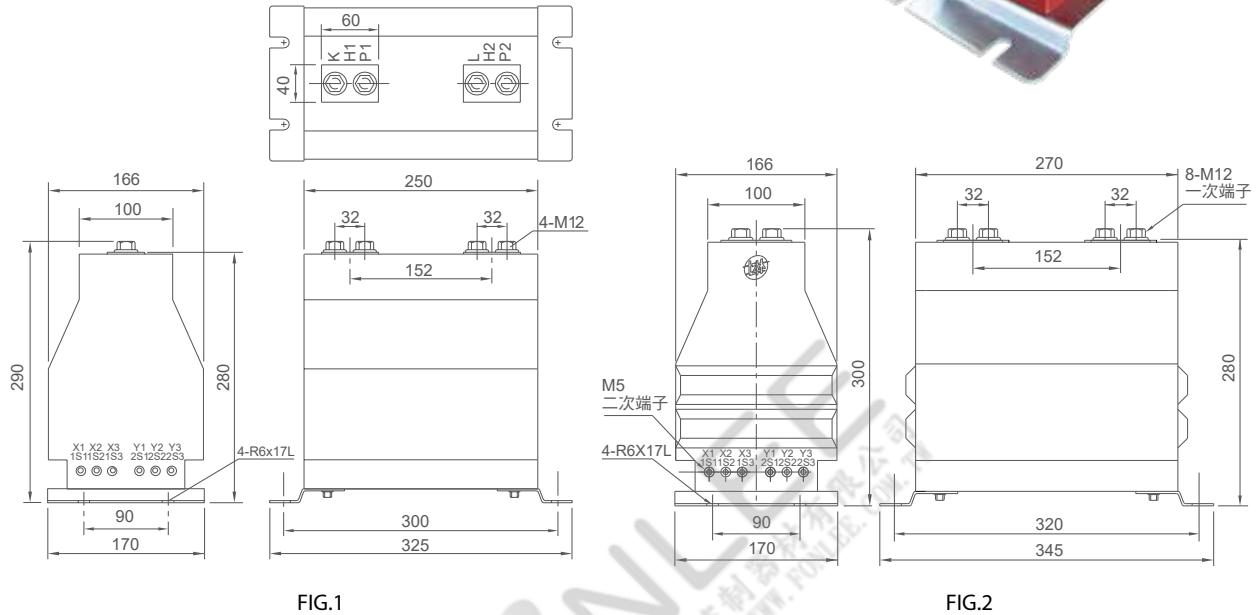
24kV

樹脂鑄造

Epoxy Resin Molded

屋內計測 & 保護用

For Indoor Application  
(Measuring & Protective)



| 型號<br>TYPE                        | 一次電流(A)<br>PRI. CURRENT                                                                        | 二次電流(A)<br>SEC. CURRENT | 額定負擔/準確度<br>RATED OUTPUT &<br>ACCURACY CLASS                                                                                                                             | 過電流<br>強度<br>- /1s | 重量(kg)<br>WEIGHT | 外觀尺寸<br>(mm)<br>DIMENSION |
|-----------------------------------|------------------------------------------------------------------------------------------------|-------------------------|--------------------------------------------------------------------------------------------------------------------------------------------------------------------------|--------------------|------------------|---------------------------|
| CMD-2KV<br>單比 雙鐵心<br>SINGLE RATIO | 5, 10, 20, 25, 30, 40, 50, 60, 75, 80,<br>100, 120, 150, 200, 250                              | 5 / 5                   | 10VA-0.5 / 30VA-5P10                                                                                                                                                     | 100In              | 25               | FIG.1                     |
|                                   | 300, 350, 400, 500, 600, 700, 750,<br>800, 1000                                                |                         | 15VA-0.5 / 30VA-5P10<br>15VA-0.5 / 15VA-10P20<br>15VA-1.0 / 15VA-5P20                                                                                                    | 25kA               |                  |                           |
| CMD-2KV<br>雙比 雙鐵心<br>DOUBLE RATIO | 10-5, 20-10, 30-15, 40-20, 50-25,<br>60-30, 80-40, 100-50, 120-60,<br>150-75, 200-100, 250-125 | 5 / 5                   | 30VA-1.0 / 15VA-10P20                                                                                                                                                    | 100In              | 28               | FIG.2                     |
|                                   | 300-150, 400-200, 500-250,<br>600-300, 800-400, 1000-500                                       |                         | 15VA-1.0 / 15VA-5P20<br>15VA-1.0 / 15VA-10P20<br>30VA-1.0 / 15VA-10P20<br>30VA-1.0 / 15VA-5P20<br>30VA-1.0 / 25VA-10P20<br>30VA-1.0 / 25VA-5P20                          | 25kA               |                  |                           |
| CMD-2KV<br>單比 雙鐵心<br>SINGLE RATIO | 1200, 1500, 1600, 2000, 2500                                                                   | 5 / 5                   | 10VA-0.5 / 30VA-5P10                                                                                                                                                     | 25kA               | 28               | FIG.2                     |
|                                   | 1200-600, 1500-750, 1600-800,<br>2000-1000, 2500-1250                                          |                         | 15VA-0.5 / 30VA-5P10<br>15VA-0.5 / 15VA-10P20<br>15VA-1.0 / 15VA-5P20<br>15VA-1.0 / 15VA-10P20<br>30VA-1.0 / 10VA-10P20<br>30VA-1.0 / 15VA-10P20<br>30VA-1.0 / 15VA-5P20 |                    |                  |                           |

依據標準 (STANDARD) : CNS 11437、IEC 60044-1。使用頻率 (FREQUENCY) : 50 / 60Hz。

表中二次電流、負擔、準確度之標示意義為：量測值 / 保護值，表列外其它規格請直接和本公司洽詢。

# CMD-2KH

## 用途 Usage

|            |                                                    |
|------------|----------------------------------------------------|
| 24kV       | 24kV                                               |
| 樹脂鑄造       | Epoxy Resin Molded                                 |
| 屋內計測 & 保護用 | For Indoor Application<br>(Measuring & Protective) |
| 耐污染型       | Creepage Distance 410mm                            |

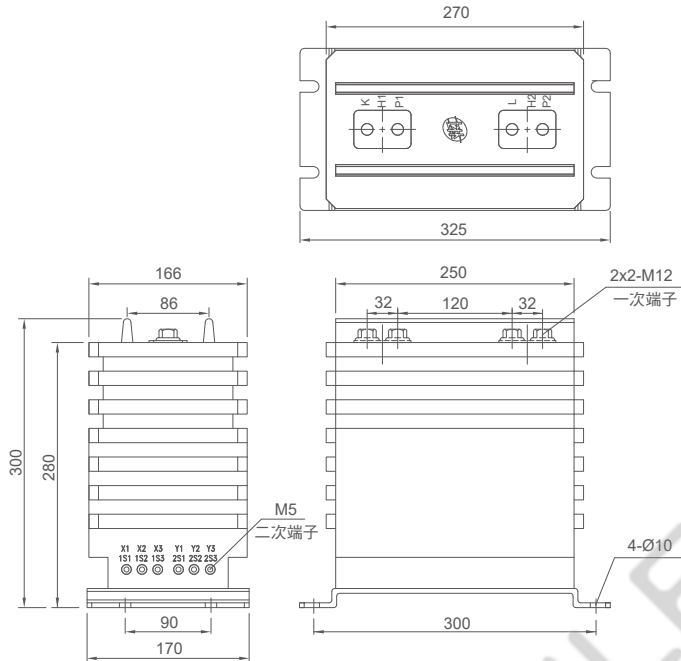


FIG.1 CMD-2KH

| 型號<br>TYPE                        | 一次電流(A)<br>PRI. CURRENT                                                                        | 二次電流(A)<br>SEC. CURRENT | 額定負擔/準確度<br>RATED OUTPUT &<br>ACCURACY CLASS                                                                            | 過電流<br>強度<br>- /1s | 重量(kg)<br>WEIGHT | 外觀尺寸<br>(mm)<br>DIMENSION |
|-----------------------------------|------------------------------------------------------------------------------------------------|-------------------------|-------------------------------------------------------------------------------------------------------------------------|--------------------|------------------|---------------------------|
| CMD-2KH<br>單比 雙鐵心<br>SINGLE RATIO | 5, 10, 20, 25, 30, 40, 50, 60, 75, 80,<br>100, 120, 150, 200, 250                              | 5 / 5                   | 10VA-0.5 / 30VA-5P10<br>15VA-0.5 / 30VA-5P10                                                                            | 100In              | 25               | FIG.1                     |
|                                   | 300, 350, 400, 500, 600, 700, 750,<br>800, 1000                                                |                         | 15VA-0.5 / 15VA-10P20<br>15VA-1.0 / 15VA-5P20<br>15VA-1.0 / 15VA-10P20                                                  | 25kA               |                  |                           |
| CMD-2KH<br>雙比 雙鐵心<br>DOUBLE RATIO | 10-5, 20-10, 30-15, 40-20, 50-25,<br>60-30, 80-40, 100-50, 120-60,<br>150-75, 200-100, 250-125 | 5 / 5                   | 30VA-1.0 / 10VA-10P20<br>30VA-1.0 / 15VA-10P20<br>30VA-1.0 / 15VA-5P20<br>30VA-1.0 / 25VA-10P20<br>30VA-1.0 / 25VA-5P20 | 100In              | 25               | FIG.1                     |
|                                   | 300-150, 400-200, 500-250,<br>600-300, 800-400, 1000-500                                       |                         | 25kA                                                                                                                    |                    |                  |                           |

依據標準 (STANDARD) : CNS 11437、IEC 60044-1。使用頻率 (FREQUENCY) : 50 / 60Hz。  
表中二次電流、負擔、準確度之標示意義為：量測值 / 保護值，表列外其它規格請直接和本公司洽詢。

## CMD-2LV

### 用途

24kV  
樹脂鑄造  
屋內計測 & 保護用



### Usage

24kV  
Epoxy Resin Molded  
For Indoor Application  
(Measuring & Protective)

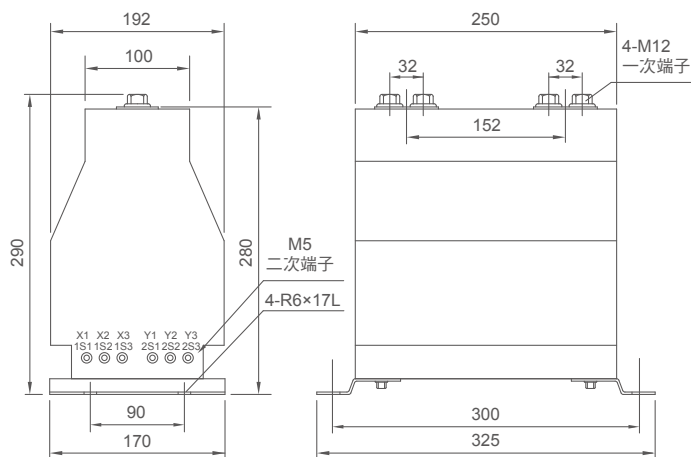


FIG.1 CMD-2LV

| 型號<br>TYPE                        | 一次電流(A)<br>PRI. CURRENT                                                                        | 二次電流(A)<br>SEC. CURRENT | 額定負擔/準確度<br>RATED OUTPUT &<br>ACCURACY CLASS                          | 過電流<br>強度<br>- /1s | 重量(kg)<br>WEIGHT | 外觀尺寸<br>(mm)<br>DIMENSION |
|-----------------------------------|------------------------------------------------------------------------------------------------|-------------------------|-----------------------------------------------------------------------|--------------------|------------------|---------------------------|
| CMD-2LV<br>單比 雙鐵心<br>SINGLE RATIO | 5, 10, 20, 25, 30, 40, 50, 60, 75, 80,<br>100, 120, 150, 200, 250                              |                         |                                                                       | 100In              |                  | FIG.1                     |
|                                   | 300, 350, 400, 500, 600, 700, 750,<br>800, 1000                                                |                         | 15VA-0.5 / 30VA-5P10<br>15VA-1.0 / 30VA-5P20                          | 25kA               | 29               |                           |
| CMD-2LV<br>雙比 雙鐵心<br>DOUBLE RATIO | 10-5, 20-10, 30-15, 40-20, 50-25,<br>60-30, 80-40, 100-50, 120-60,<br>150-75, 200-100, 250-125 | 1 / 1<br>5 / 5          | 15VA-0.5 / 40VA-5P20<br>40VA-1.0 / 40VA-10P20<br>40VA-1.0 / 40VA-5P20 | 100In              |                  | FIG.1                     |
|                                   | 300-150, 400-200, 500-250,<br>600-300, 800-400, 1000-500                                       |                         |                                                                       | 25kA               |                  |                           |

依據標準 (STANDARD) : CNS 11437、IEC 60044-1。使用頻率 (FREQUENCY) : 50 / 60Hz。

表中二次電流、負擔、準確度之標示意義為：量測值/保護值，表列外其它規格請直接和本公司洽詢。

## CMD-3KV

### 用途

36kV  
樹脂鑄造  
屋內量測 & 保護用



### Usage

36kV  
Epoxy Resin Molded  
For Indoor Application  
(Measuring & Protective)

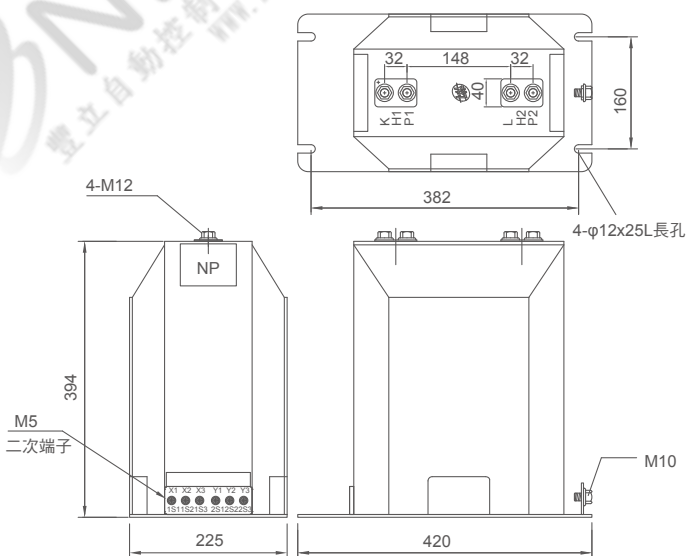


FIG.2 CMD-3KV

| 型號<br>TYPE                        | 一次電流(A)<br>PRI. CURRENT                                                                        | 二次電流(A)<br>SEC. CURRENT | 額定負擔/準確度<br>RATED OUTPUT &<br>ACCURACY CLASS  | 過電流<br>強度<br>- /1s | 重量(kg)<br>WEIGHT | 外觀尺寸<br>(mm)<br>DIMENSION |
|-----------------------------------|------------------------------------------------------------------------------------------------|-------------------------|-----------------------------------------------|--------------------|------------------|---------------------------|
| CMD-3KV<br>單比 雙鐵心<br>SINGLE RATIO | 5, 10, 20, 25, 30, 40, 50, 60, 75,<br>80, 100, 120, 150, 200, 250                              |                         |                                               | 100In              |                  | FIG.2                     |
|                                   | 300, 350, 400, 500, 600, 700,<br>750, 800, 1000                                                |                         | 30VA-1.0 / 15VA-5P20<br>30VA-1.0 / 15VA-10P20 | 25kA               | 44               |                           |
| CMD-3KV<br>雙比 雙鐵心<br>DOUBLE RATIO | 10-5, 20-10, 30-15, 40-20, 50-25,<br>60-30, 80-40, 100-50, 120-60,<br>150-75, 200-100, 250-125 | 5 / 5                   |                                               | 100In              |                  | FIG.2                     |
|                                   | 300-150, 400-200, 500-250,<br>600-300, 800-400, 1000-500                                       |                         |                                               | 25kA               |                  |                           |

依據標準 (STANDARD) : CNS 11437、IEC 60044-1。使用頻率 (FREQUENCY) : 50 / 60Hz。

表中二次電流、負擔、準確度之標示意義為：量測值/保護值，表列外其它規格請直接和本公司洽詢。

## CMD-2KVN

## 用途

24kV  
樹脂鑄造  
屋內計測 & 保護用

## Usage

24kV  
Epoxy Resin Molded  
For Indoor Application  
(Measuring & Protective)

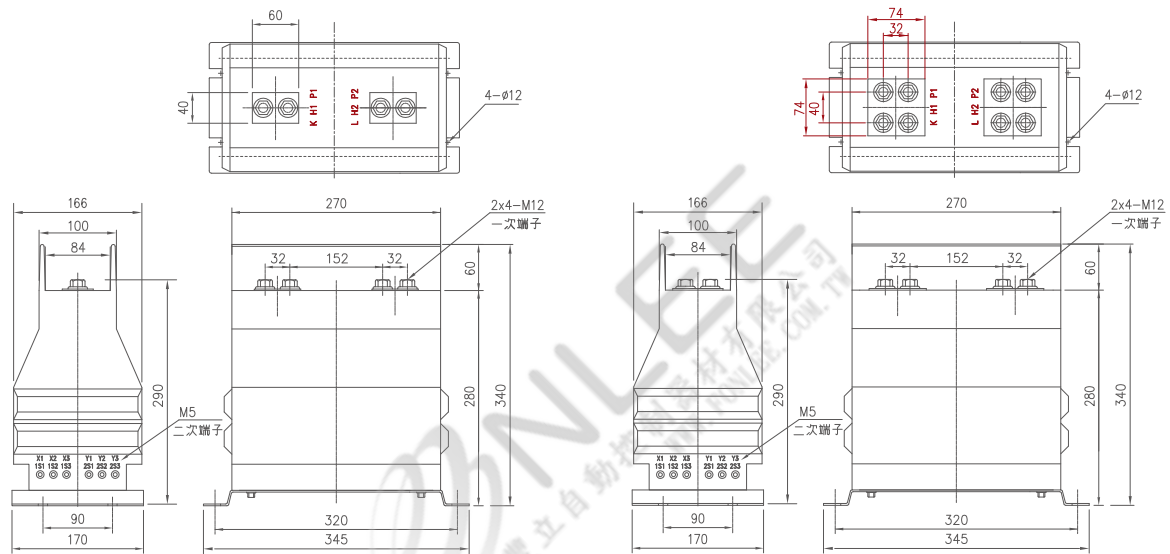


FIG.1

FIG.2

| 型號<br>TYPE                         | 一次電流(A)<br>PRI. CURRENT                                                                                | 二次電流(A)<br>SEC. CURRENT | 額定負擔/準確度<br>RATED OUTPUT &<br>ACCURACY CLASS | 過電流<br>強度<br>-/1s | 重量(kg)<br>WEIGHT | 外觀尺寸<br>(mm)<br>DIMENSION |
|------------------------------------|--------------------------------------------------------------------------------------------------------|-------------------------|----------------------------------------------|-------------------|------------------|---------------------------|
| CMD-2KVN<br>單比 雙鐵心<br>SINGLE RATIO | 5, 10, 20, 25, 30, 40, 50, 60, 75,<br>80, 100, 120, 150, 200, 250, 300                                 |                         |                                              | 100In             | 28               | FIG.1                     |
|                                    | 300, 400, 500, 600, 700, 800, 1000                                                                     |                         |                                              | 25kA              |                  |                           |
| CMD-2KVN<br>雙比 雙鐵心<br>DOUBLE RATIO | 10-5, 20-10, 30-15, 40-20, 50-25,<br>60-30, 80-40, 100-50, 120-60,<br>140-70, 150-75, 200-100, 250-125 | 1 / 1<br>5 / 5          | 30VA-1.0 / 15VA—5P20                         | 100In             | 28               | FIG.1                     |
|                                    | 300-150, 400-200, 500-250,<br>600-300, 800-400, 1000-500                                               |                         |                                              | 25kA              |                  |                           |
| CMD-2KVN<br>大電流                    | 1100, 1200, 1250                                                                                       |                         |                                              | 25kA              | 28               | FIG.2                     |

依據標準 (STANDARD) : IEC 60044-1。使用頻率 (FREQUENCY) : 60Hz。

表中二次電流、負擔、準確度之標示意義為：量測值/保護值，表列外其它規格請直接和本公司洽詢。

# CGZ-90, 140, 180, 250, 350

## 用途

套管型  
樹脂貫穿型  
屋內保護用

## Usage

Bushing Type  
Epoxy Resin Molded Window Type  
For Indoor Application (Protective)

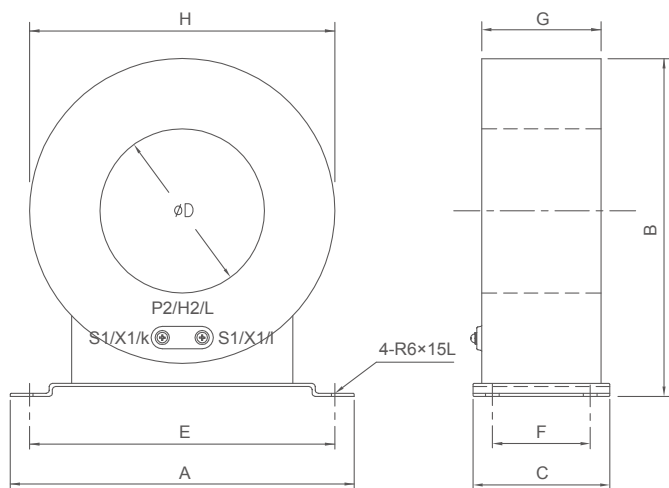


FIG.1

| 型號<br>TYPE | 一次電流<br>(mA)<br>PRI. CURRENT | 二次電流(mA)<br>SEC. CURRENT | 額定負擔/準確度<br>RATED OUTPUT &<br>ACCURACY CLASS | 重量(kg)<br>WEIGHT | 圖號<br>FIG. | 外觀尺寸(mm) DIMENSION |     |     |     |     |    |     |     |
|------------|------------------------------|--------------------------|----------------------------------------------|------------------|------------|--------------------|-----|-----|-----|-----|----|-----|-----|
|            |                              |                          |                                              |                  |            | A                  | B   | C   | ØD  | E   | F  | G   | H   |
| CGZ-90     | 150, 200                     | 1.5                      | 10Ω / L                                      | 12               | 1          | 240                | 240 | 100 | 90  | 210 | 60 | 90  | 210 |
| CGZ-140    | 150, 200                     | 1.5                      | 10Ω / L                                      | 20               | 1          | 290                | 290 | 100 | 140 | 260 | 60 | 90  | 260 |
| CGZ-180    | 150, 200                     | 1.5                      | 10Ω / L                                      | 22               | 1          | 340                | 336 | 100 | 180 | 310 | 60 | 100 | 310 |
| CGZ-250    | 150, 200                     | 1.5                      | 10Ω / L                                      | 28               | 1          | 410                | 415 | 100 | 250 | 380 | 60 | 100 | 380 |
| CGZ-350    | 150, 200                     | 1.5                      | 10Ω / L                                      | 45               | 1          | 510                | 515 | 120 | 350 | 480 | 80 | 120 | 480 |

依據標準 (STANDARD) : JEC 1201。使用頻率 (FREQUENCY) : 50 / 60Hz。

| 型號<br>TYPE | 一次電流(A)<br>PRI. CURRENT         | 二次電流(A)<br>SEC. CURRENT | 額定負擔/準確度<br>RATED OUTPUT &<br>ACCURACY CLASS | 重量(kg)<br>WEIGHT | 圖號<br>FIG. | 外觀尺寸(mm) DIMENSION |     |     |     |     |     |     |     |
|------------|---------------------------------|-------------------------|----------------------------------------------|------------------|------------|--------------------|-----|-----|-----|-----|-----|-----|-----|
|            |                                 |                         |                                              |                  |            | A                  | B   | C   | ØD  | E   | F   | G   | H   |
| CGZ-144    | 50, 60, 75                      | 5                       | 15VA / 10P10                                 | 48               | 1          | 310                | 308 | 230 | 140 | 280 | 140 | 230 | 280 |
|            | 100                             | 5                       | 15VA / 10P20                                 |                  |            |                    |     |     |     |     |     |     |     |
| CGZ-90     | 100, 150                        | 5                       | 15VA / 10P5                                  | 12               | 1          | 240                | 240 | 100 | 90  | 210 | 60  | 90  | 210 |
| CGZ-140    | 200, 250, 300,<br>350, 400, 500 | 5                       | 15VA / 10P10                                 | 20               | 1          | 290                | 290 | 100 | 140 | 260 | 60  | 90  | 260 |
| CGZ-142    | 50, 100                         | 5                       | 10VA/10P10                                   | 36               | 1          | 310                | 308 | 170 | 140 | 280 | 120 | 170 | 280 |
|            | 150, 200                        | 5                       | 15VA/10P20                                   |                  |            |                    |     |     |     |     |     |     |     |
| CGZ-180    | 300, 400                        | 5                       | 15VA / 10P20                                 | 22               | 1          | 340                | 336 | 100 | 180 | 310 | 60  | 100 | 310 |
|            | 4000                            | 5                       | 30VA / 5P20                                  |                  |            |                    |     |     |     |     |     |     |     |
| CGZ-250    | 300, 400                        | 5                       | 15VA / 10P10                                 | 28               | 1          | 410                | 415 | 100 | 250 | 380 | 60  | 100 | 380 |

依據標準 (STANDARD) : CNS 11437、IEC 60044-1。使用頻率 (FREQUENCY) : 50 / 60Hz。表列外其它規格請直接和本公司洽詢。  
絕緣等級 : 0.72kV

套管型CT (絕緣電纜貫穿型) : 二次線圈絕緣完整, 本身無一次線圈, 僅可供絕緣完整之一次線圈通過鐵心之變比器, 其最大操作電壓決定於一次導體之絕緣等級。

# EL-KF, RF, ZF, NF, SF, LF, AF

**用途**

0.66kV  
乾式  
屋內計測用

**Usage**

0.66kV  
Dry Type  
For Indoor Application (Measuring)

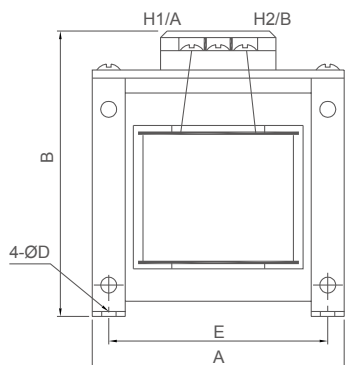


FIG. 1

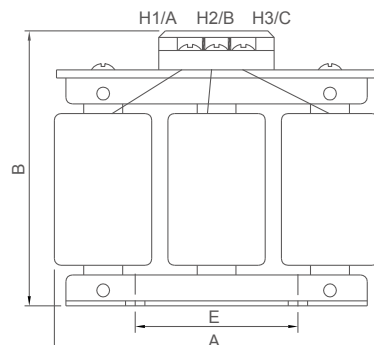
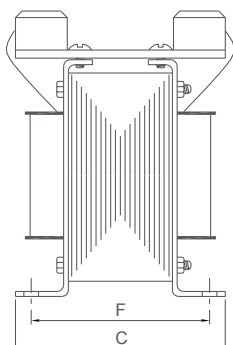
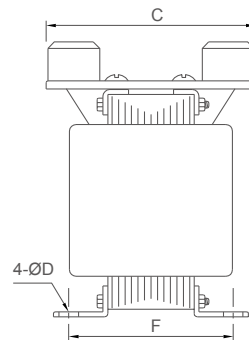


FIG. 2



| 型號<br>TYPE | 一次電壓<br>(V) PRI.<br>VOLTAGE                                          | 二次電壓<br>(V) SEC.<br>VOLTAGE | 接線<br>CONN-<br>ECTION | 負擔<br>(VA)<br>BURDEN | 準確度<br>ACC.<br>CLASS | 重量(kg)<br>WEIGHT | 圖號<br>FIG. | 外觀尺寸(mm) DIMENSION |     |     |    |     |     |
|------------|----------------------------------------------------------------------|-----------------------------|-----------------------|----------------------|----------------------|------------------|------------|--------------------|-----|-----|----|-----|-----|
|            |                                                                      |                             |                       |                      |                      |                  |            | A                  | B   | C   | ØD | E   | F   |
| EL-PF      |                                                                      |                             |                       | 15                   | 3.0                  | 1.0              |            | 62                 | 83  | 60  | 5  | 56  | 49  |
| EL-KF      |                                                                      |                             |                       | 50                   | 3.0                  | 2.0              |            | 86                 | 109 | 85  | 5  | 72  | 67  |
| EL-RF      |                                                                      | 110                         |                       | 75~120               | 3.0                  | 3.0              |            | 96                 | 112 | 90  | 5  | 81  | 70  |
| 1Ø EL-ZF   |                                                                      | 115                         | —                     | 200                  | 3.0                  | 4.5              | FIG.1      | 114                | 130 | 96  | 5  | 96  | 79  |
| EL-NF      | 110, 190,<br>208, 220,<br>227, 380,<br>400, 440,<br>460, 480,<br>550 | 120                         |                       | 300                  | 3.0                  | 5.5              |            | 114                | 130 | 108 | 5  | 96  | 87  |
| EL-DF      |                                                                      |                             |                       | 400                  | 3.0                  | 6.5              |            | 133                | 148 | 115 | 6  | 112 | 95  |
| EL-SF      |                                                                      |                             |                       | 500                  | 3.0                  | 7.9              |            | 133                | 150 | 120 | 6  | 114 | 100 |
| EL-KF      |                                                                      |                             |                       | 50                   | 3.0                  | 6.5              |            | 122                | 170 | 86  | 5  | 80  | 70  |
| EL-RF      |                                                                      | 110                         | Δ - Δ                 | 100                  | 3.0                  | 6.5              |            | 122                | 170 | 86  | 5  | 80  | 70  |
| 3Ø EL-ZF   |                                                                      | 115                         | Δ - Y                 | 200                  | 3.0                  | 6.5              | FIG.2      | 122                | 170 | 86  | 5  | 80  | 70  |
| EL-NF      |                                                                      | 120                         | Y - Y                 | 300                  | 3.0                  | 8.0              |            | 180                | 185 | 105 | 5  | 90  | 75  |
| EL-SF      |                                                                      |                             |                       | 500                  | 3.0                  | 8                |            | 180                | 185 | 105 | 5  | 90  | 75  |

依據標準(STANDARD)：CNS 11437、IEC 60044-2。使用頻率(FREQUENCY)：60Hz。  
表列外其他規格請直接和本公司洽詢。500VA以下(含)為比壓器，二次電壓110、115、120V。500VA以上為TR。

# EH-KVB,RVB,ZVB,SVB / EH-GV 3Ø

**用途**

0.66kV  
樹脂鑄造  
屋內計測用

**Usage**

0.66kV  
Epoxy Resin Molded  
For Indoor Application (Measuring)

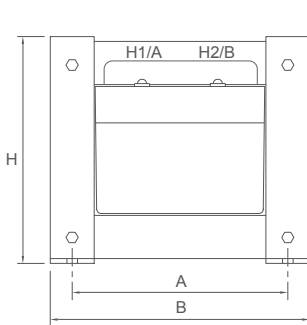


FIG. 1

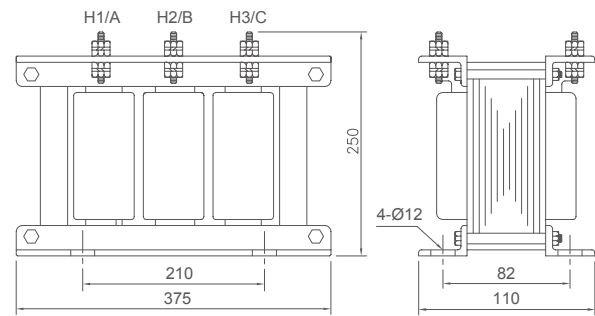
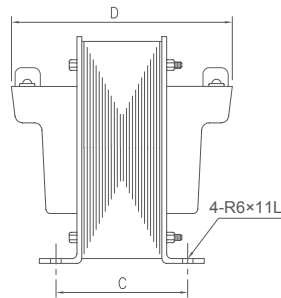


FIG. 2 EH-GV



| 型號<br>TYPE | 一次電壓(V)<br>PRI. VOLTAGE | 二次電壓(V)<br>SEC. VOLTAGE | 負擔<br>(VA)<br>BURDEN | 準確度<br>ACC.<br>CLASS | 重量(kg)<br>WEIGHT | 圖號<br>FIG. | 外觀尺寸(mm)<br>DIMENSION |     |     |     |     |
|------------|-------------------------|-------------------------|----------------------|----------------------|------------------|------------|-----------------------|-----|-----|-----|-----|
|            |                         |                         |                      |                      |                  |            | A                     | B   | C   | D   | H   |
| EH-KVB     |                         |                         | 50                   |                      | 6.0              |            | 96                    | 115 | 105 | 148 | 100 |
| EH-RVB     | 208, 220, 380,          |                         | 100                  |                      | 7.5              |            | 110                   | 135 | 100 | 155 | 115 |
| EH-ZVB     | 400, 440, 460,<br>480   | 110, 115, 120           | 200                  | 1.0                  | 10               | FIG.1      | 142                   | 170 | 81  | 146 | 150 |
| EH-SVB     |                         |                         | 500                  |                      | 16               |            | 168                   | 200 | 88  | 170 | 182 |

| 型號<br>TYPE  | 一次電壓(V)<br>PRI. VOLTAGE         | 二次電壓(V)<br>SEC. VOLTAGE | 負擔<br>(VA)<br>BURDEN | 準確度<br>ACC.<br>CLASS | 重量(kg)<br>WEIGHT | 外觀尺寸(mm)<br>DIMENSION |  |  |  |  |
|-------------|---------------------------------|-------------------------|----------------------|----------------------|------------------|-----------------------|--|--|--|--|
|             |                                 |                         |                      |                      |                  | FIG. 2                |  |  |  |  |
| 3Ø<br>EH-GV | 220, 380, 400,<br>440, 460, 480 | 110, 115, 120           | 3×100<br>3×167       | 1.0<br>3.0           | 25               | FIG. 2                |  |  |  |  |

依據標準 (STANDARD) : CNS 11437、IEC 60044-2。使用頻率 (FREQUENCY) : 60Hz。  
表列外其它規格請直接和本公司洽詢。

# TM-6HF

**用途**

7.2kV  
樹脂鑄造  
屋內計測用

**Usage**

7.2kV  
Epoxy Resin Molded  
For Indoor Application

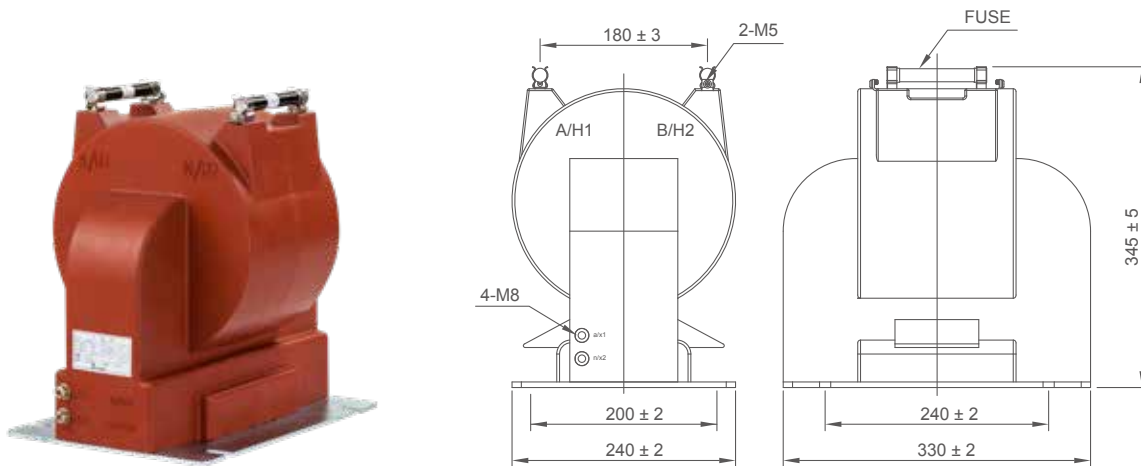


FIG.1

| 型號<br>TYPE     | 一次電壓(V)<br>PRI. VOLTAGE              | 二次電壓(V)<br>SEC. VOLTAGE | 熱容量(VA)<br>THERMAL BURDEN      | 重量(kg)<br>WEIGHT | 外觀尺寸(mm)<br>DIMENSION |
|----------------|--------------------------------------|-------------------------|--------------------------------|------------------|-----------------------|
| TM-6HF<br>(1Ø) | 3300, 3600, 4160<br>4200, 6600, 7200 | 100, 110<br>115, 120    | 1700, 2000, 2500<br>3000, 3500 | 48               | FIG.1                 |

# EM-6ZV

**用途**

7.2kV  
樹脂鑄造  
屋內量測用

**Usage**

7.2kV  
Epoxy Resin Molded  
For Indoor Application (Measuring)

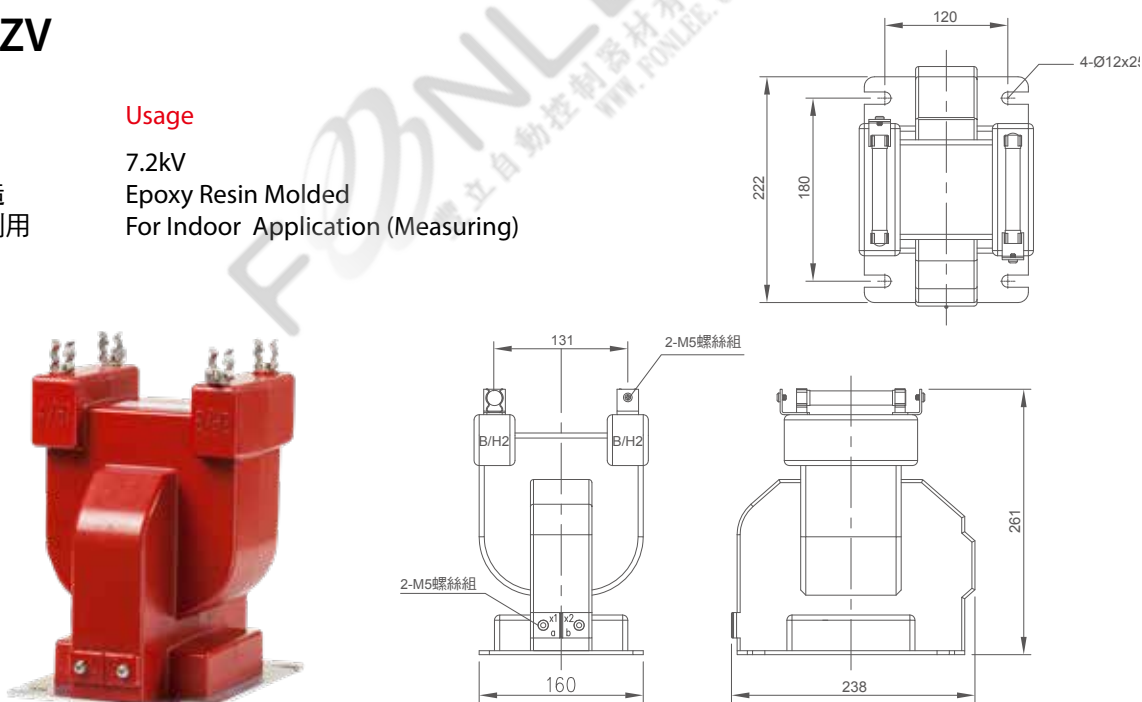


FIG.1

| 型號<br>TYPE     | 一次電壓(V)<br>PRI. VOLTAGE                  | 二次電壓(V)<br>SEC. VOLTAGE | 負擔(VA)<br>BURDEN | 準確度<br>ACC. CLASS | 熱容量(VA)<br>THERMAL BURDEN | 重量(kg)<br>WEIGHT | 外觀尺寸(mm)<br>DIMENSION |
|----------------|------------------------------------------|-------------------------|------------------|-------------------|---------------------------|------------------|-----------------------|
| EM-6ZV<br>(1Ø) | 3300, 4160,<br>4200, 6300,<br>6600, 7200 | 100, 110<br>115, 120    | 200              | 1.0               | 500                       | 20               | FIG.1                 |

依據標準 (STANDARD) : CNS 11437、IEC 60044-2。使用頻率 (FREQUENCY) : 60Hz。  
 三相電源供電時，請客戶自行將此型式三台作三相接線，其三相總容量為單相容量×3。  
 三相電源供電時，請客戶自行將此型式兩台作V-V接線作三相接線，其三相總容量為單相容量×2×0.866。  
 注意：表列外其它規格請直接和本公司洽詢。



# EM-12Z

**用途**

12kV  
樹脂鑄造  
屋內計測用

**Usage**

12kV  
Epoxy Resin Molded  
For Indoor Application  
(Measuring)

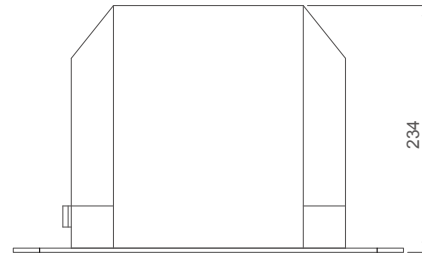
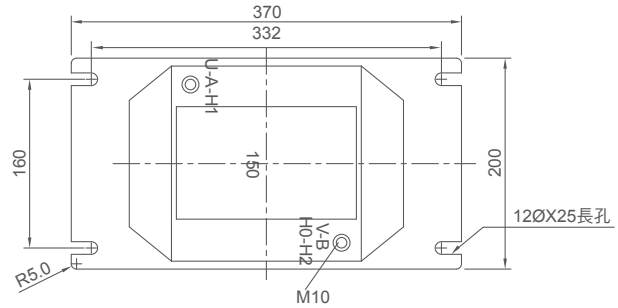
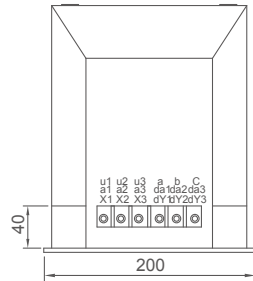


FIG.1 EM-12Z

| 型號<br>TYPE     | 一次電壓(V)<br>PRI. VOLTAGE       | 二次電壓(V)<br>SEC. VOLTAGE | 負擔(VA)<br>BURDEN | 準確度<br>ACC. CLASS | 重量(kg)<br>WEIGHT | 外觀尺寸(mm)<br>DIMENSION |
|----------------|-------------------------------|-------------------------|------------------|-------------------|------------------|-----------------------|
| EM-12Z<br>(1Ø) | 11000, 11400,<br>12000, 13800 | 110, 114, 115,<br>120   | 100              | 0.5               | 28               | FIG.1                 |
|                |                               |                         | 100, 200         | 1.0               |                  |                       |
|                |                               |                         | 500              | 3.0               |                  |                       |

依據標準 (STANDARD) : CNS 11437、IEC 60044-2。使用頻率 (FREQUENCY) : 60Hz。  
注意：請勿倒掛或側掛安裝，表列外其它規格請直接和本公司洽詢。

# EMS-12Z

**用途**

12kV  
樹脂鑄造  
屋內計測用

**Usage**

12kV  
Epoxy Resin Molded  
For Indoor Application  
(Measuring)

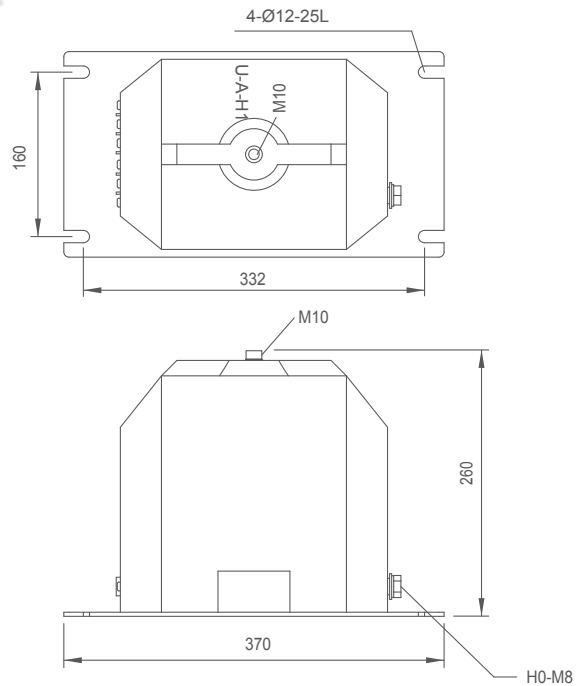
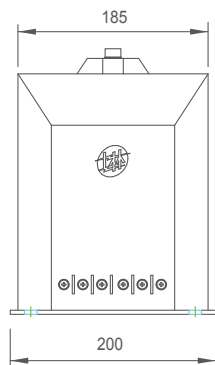


FIG. 2 EMS-12Z

| 型號<br>TYPE      | 一次電壓(V)<br>PRI. VOLTAGE                | 二次電壓(V)<br>SEC. VOLTAGE          | 負擔(VA)<br>BURDEN | 準確度<br>ACC. CLASS | 重量(kg)<br>WEIGHT | 外觀尺寸(mm)<br>DIMENSION |
|-----------------|----------------------------------------|----------------------------------|------------------|-------------------|------------------|-----------------------|
| EMS-12Z<br>(1Ø) | 11000 / √3<br>11400 / √3<br>12000 / √3 | 110 / √3<br>114 / √3<br>120 / √3 | 100              | 1.0               | 28               | FIG.2                 |
|                 |                                        |                                  |                  |                   |                  |                       |
|                 |                                        |                                  |                  |                   |                  |                       |

依據標準 (STANDARD) : CNS 11437、IEC 60044-2。使用頻率 (FREQUENCY) : 60Hz。  
注意：請勿倒掛或側掛安裝，表列外其它規格請直接和本公司洽詢。

# EMS-12T

**用途**

12kV  
樹脂鑄造  
屋內外計測用

**Usage**

12kV  
Epoxy Resin Molded  
For Indoor & Outdoor  
Application (Measuring)



僅供搬運用，安裝後需拆除  
Only supplies transporting, after the installment must demolish

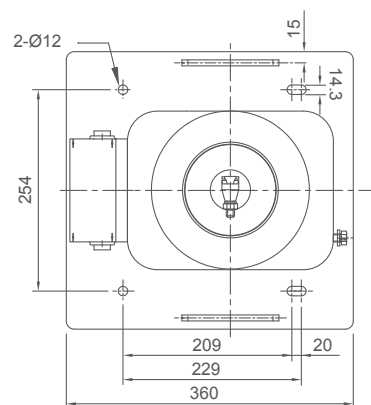
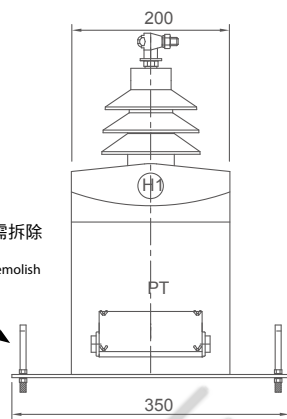


FIG.1 EMS-12T

| 型號<br>TYPE      | 一次電壓(V)<br>PRI. VOLTAGE | 二次電壓(V)<br>SEC. VOLTAGE | 負擔(VA)<br>BURDEN | 準確度<br>ACC. CLASS | 重量(kg)<br>WEIGHT | 外觀尺寸(mm)<br>DIMENSION |
|-----------------|-------------------------|-------------------------|------------------|-------------------|------------------|-----------------------|
| EMS-12T<br>(1Ø) | 12000 / $\sqrt{3}$      | 120 / $\sqrt{3}$        | 200              | 1.0               | 37               | FIG.1                 |

依據標準 (STANDARD) : CNS 11437、IEC 60044-2。使用頻率 (FREQUENCY) : 60Hz。  
注意：請勿倒掛或側掛安裝，表列外其它規格請直接和本公司洽詢。

# EM-12T

**用途**

12kV  
樹脂鑄造  
屋內外計測用

**Usage**

12kV  
Epoxy Resin Molded  
For Indoor & Outdoor  
Application (Measuring)



僅供搬運用，安裝後需拆除  
Only supplies transporting, after the installment must demolish

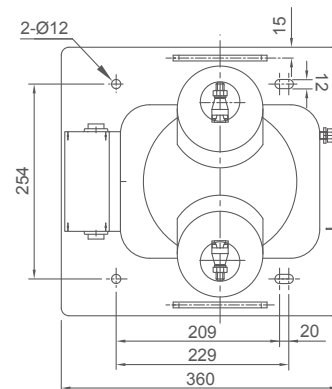
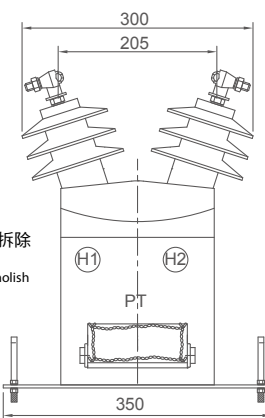


FIG. 2 EM-12T

| 型號<br>TYPE     | 一次電壓(V)<br>PRI. VOLTAGE | 二次電壓(V)<br>SEC. VOLTAGE | 負擔(VA)<br>BURDEN | 準確度<br>ACC. CLASS | 重量(kg)<br>WEIGHT | 外觀尺寸(mm)<br>DIMENSION |
|----------------|-------------------------|-------------------------|------------------|-------------------|------------------|-----------------------|
| EM-12T<br>(1Ø) | 12000                   | 120                     | 200              | 1.0               | 38               | FIG. 2                |

依據標準 (STANDARD) : CNS 11437、IEC 60044-2。使用頻率 (FREQUENCY) : 60Hz。  
注意：請勿倒掛或側掛安裝，表列外其它規格請直接和本公司洽詢。

## EM-24Z

**用途**

24kV  
樹脂鑄造  
屋內計測用

**Usage**

24kV  
Epoxy Resin Molded  
For Indoor Application  
(Measuring)

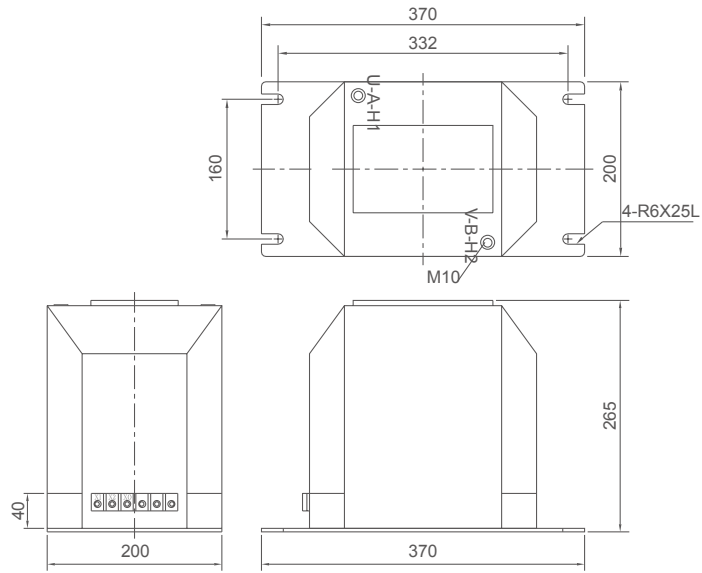


FIG.1 EM-24Z

| 型號<br>TYPE     | 一次電壓(V)<br>PRI. VOLTAGE                      | 二次電壓(V)<br>SEC. VOLTAGE | 負擔(VA)<br>BURDEN | 準確度<br>ACC. CLASS | 重量(kg)<br>WEIGHT | 外觀尺寸(mm)<br>DIMENSION |
|----------------|----------------------------------------------|-------------------------|------------------|-------------------|------------------|-----------------------|
| EM-24Z<br>(1Ø) | 22000, 22800,<br>24000                       | 110, 114, 115, 120      | 100              | 0.5               | 32               | FIG.1                 |
|                |                                              |                         | 100, 200         | 1.0               |                  |                       |
|                |                                              |                         | 500              | 3.0               |                  |                       |
|                | 22000 -11000<br>22800 -11400<br>24000 -12000 | 110, 114, 120           | 100/25           | 0.5               |                  |                       |
|                |                                              |                         | 200/50           | 1.0               |                  |                       |
|                |                                              |                         | 300/75           | 3.0               |                  |                       |

## EM-24N

**用途**

24kV  
樹脂鑄造  
屋內計測用

**Usage**

24kV  
Epoxy Resin Molded  
For Indoor Application  
(Measuring)

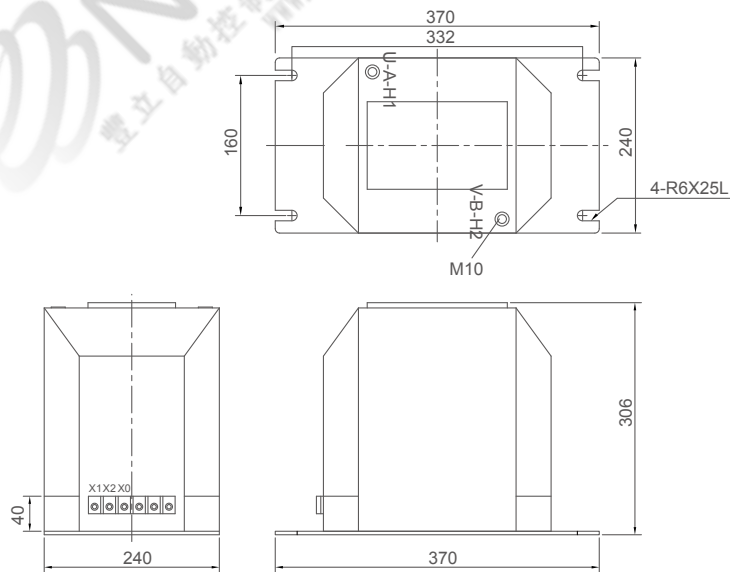


FIG. 2 EM-24N

| 型號<br>TYPE     | 一次電壓(V)<br>PRI. VOLTAGE                      | 二次電壓(V)<br>SEC. VOLTAGE | 負擔(VA)<br>BURDEN | 準確度<br>ACC. CLASS | 重量(kg)<br>WEIGHT | 外觀尺寸(mm)<br>DIMENSION |
|----------------|----------------------------------------------|-------------------------|------------------|-------------------|------------------|-----------------------|
| EM-24N<br>(1Ø) | 22000, 22800,<br>24000                       | 110, 114, 115, 120      | 150              | 0.5               | 46               | FIG.2                 |
|                |                                              |                         | 300              | 1.0               |                  |                       |
|                |                                              |                         | 500              | 3.0               |                  |                       |
|                | 22000 -11000<br>22800 -11400<br>24000 -12000 | 110, 114, 120           | 150/37.5         | 0.5               |                  |                       |
|                |                                              |                         | 300/75           | 1.0               |                  |                       |
|                |                                              |                         | 500/125          | 3.0               |                  |                       |

依據標準 (STANDARD) : CNS 11437、IEC 60044-2。使用頻率 (FREQUENCY) : 50/60Hz。  
注意：請勿倒掛或側掛安裝，表列外其它規格請直接和本公司洽詢。

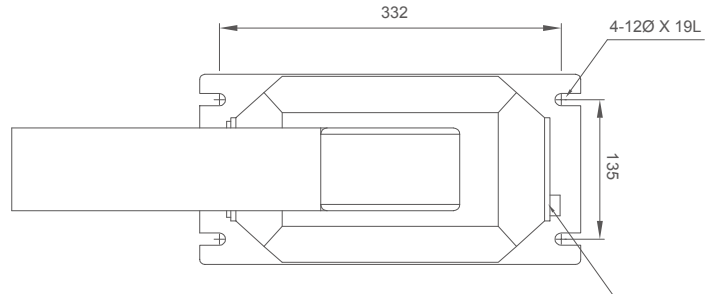
# EMS-24P

**用途**

24kV  
樹脂鑄造  
屋內用

**Usage**

24kV  
Epoxy Resin Molded  
For Indoor Application (Measuring)



背後一次端子符號: V-N-HO

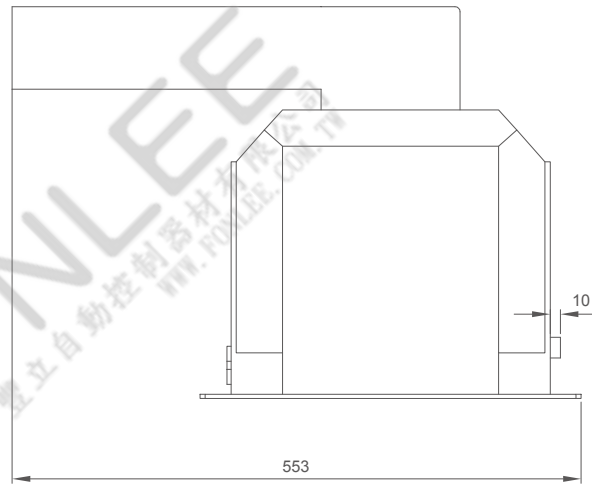
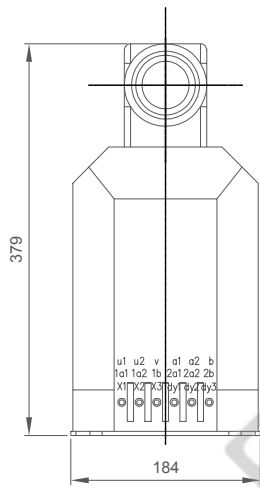


FIG.1 EMS-24P

| 型號<br>TYPE | 一次電壓(V)<br>PRI. VOLTAGE  | 二次電壓(V)<br>SEC. VOLTAGE | 負擔(VA)<br>BURDEN | 準確度<br>ACC.<br>CLASS | 熱容量(VA)<br>Thermal<br>Burden | 重量(kg)<br>WEIGHT | 外觀尺寸(mm)<br>DIMENSION |
|------------|--------------------------|-------------------------|------------------|----------------------|------------------------------|------------------|-----------------------|
| EMS-24P    | 24000-12000 / $\sqrt{3}$ | 120 / $\sqrt{3}$        | 200              | 1.0                  | 1000                         | 43               | FIG. 1                |
|            |                          |                         | 500              | 3.0                  |                              |                  |                       |

依據標準 (STANDARD) : CNS 11437、IEC 60044-2。使用頻率 (FREQUENCY) : 60Hz。  
注意：請勿倒掛或側掛安裝，表列外其它規格請直接和本公司洽詢。  
此產品無附FUSE。

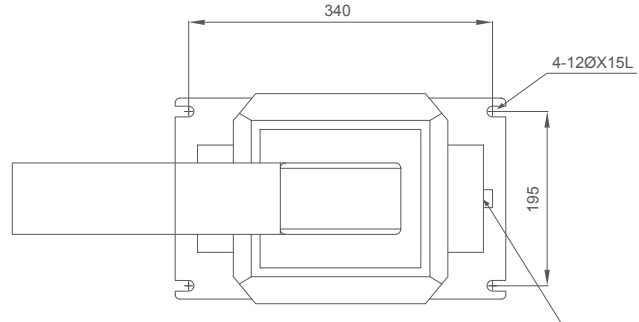
# EMS-24D

## 用途

24kV  
樹脂鑄造  
屋內用

## Usage

24kV  
Epoxy Resin Molded  
For Indoor Application (Measuring)



背後一次端子符號: V-N-HO

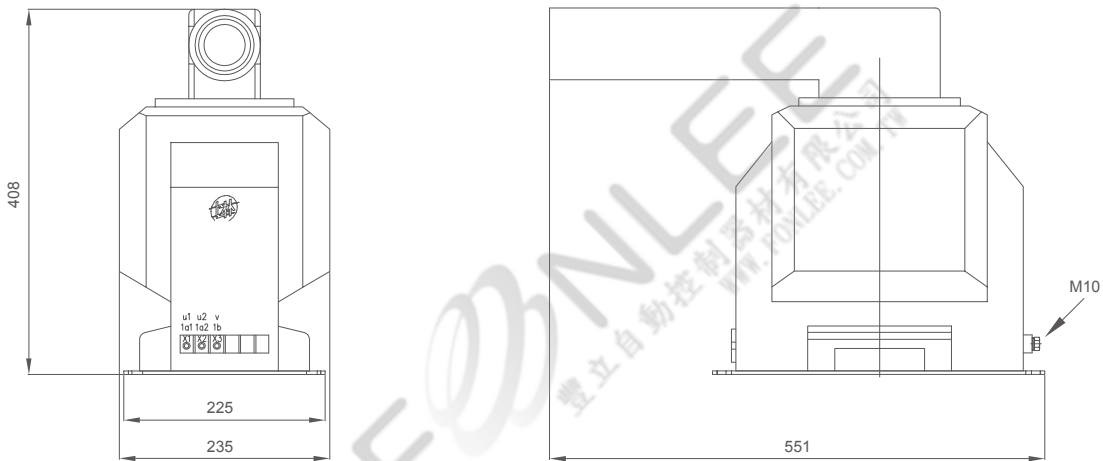


FIG.1 EMS-24D

| 型號<br>TYPE | 一次電壓(V)<br>PRI. VOLTAGE  | 二次電壓(V)<br>SEC. VOLTAGE | 負擔(VA)<br>BURDEN | 準確度<br>ACC.<br>CLASS | 熱容量(VA)<br>Therrnal<br>Burden | 重量(kg)<br>WEIGHT | 外觀尺寸(mm)<br>DIMENSION |
|------------|--------------------------|-------------------------|------------------|----------------------|-------------------------------|------------------|-----------------------|
| EMS-24D    | 24000-12000 / $\sqrt{3}$ | 120 / $\sqrt{3}$        | 200              | 1.0                  | 1700                          | 52               | FIG. 1                |
|            |                          |                         | 500              | 3.0                  |                               |                  |                       |

依據標準 (STANDARD) : CNS 11437、IEC 60044-2。使用頻率 (FREQUENCY) : 60Hz。  
注意：請勿倒掛或側掛安裝，表列外其它規格請直接和本公司洽詢。  
此產品無附FUSE。

# EMS-24T

**用途**

24kV  
樹脂鑄造  
屋內外計測用

**Usage**

24kV  
Epoxy Resin Molded  
For Indoor & Outdoor  
Application (Measuring)



僅供搬運用，安裝後需拆除  
Only supplies transporting,  
after the installment must demolish

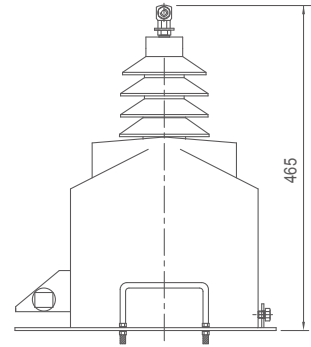
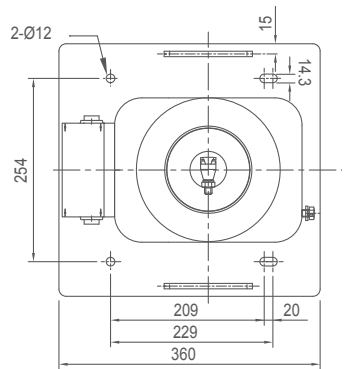
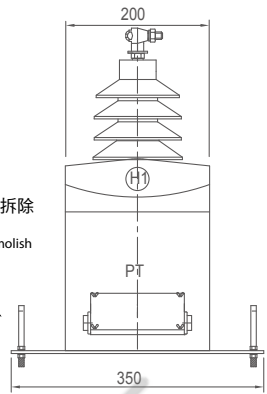


FIG.1 EMS-24T

| 型號<br>TYPE      | 一次電壓(V)<br>PRI. VOLTAGE | 二次電壓(V)<br>SEC. VOLTAGE | 負擔(VA)<br>BURDEN | 準確度<br>ACC. CLASS | 重量(kg)<br>WEIGHT | 外觀尺寸(mm)<br>DIMENSION |
|-----------------|-------------------------|-------------------------|------------------|-------------------|------------------|-----------------------|
| EMS-24T<br>(1Ø) | 24000 / $\sqrt{3}$      | 110 / $\sqrt{3}$        | 200              | 1.0               | 38               | FIG.1                 |

依據標準 (STANDARD) : CNS 11437、IEC 60044-2。使用頻率 (FREQUENCY) : 50/60Hz  
注意：請勿倒掛或側掛安裝，表列外其它規格請直接和本公司洽詢。

# EM-24T

**用途**

24kV  
樹脂鑄造  
屋內外計測用

**Usage**

24kV  
Epoxy Resin Molded  
For Indoor & Outdoor  
Application (Measuring)



僅供搬運用，安裝後需拆除  
Only supplies transporting,  
after the installment must demolish

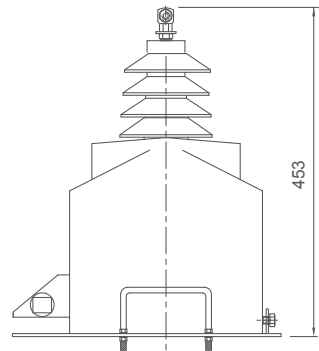
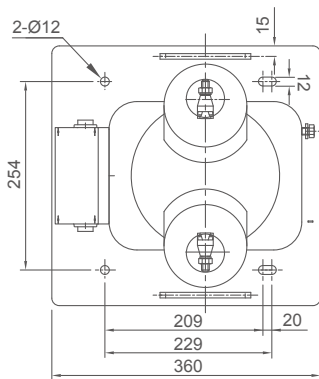
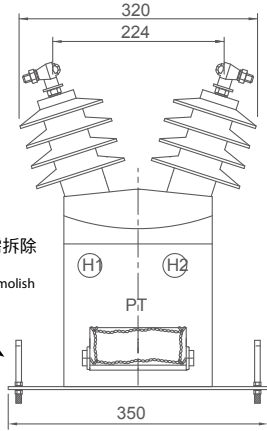


FIG.2 EM-24T

| 型號<br>TYPE     | 一次電壓(V)<br>PRI. VOLTAGE | 二次電壓(V)<br>SEC. VOLTAGE | 負擔(VA)<br>BURDEN | 準確度<br>ACC. CLASS | 重量(kg)<br>WEIGHT | 外觀尺寸(mm)<br>DIMENSION |
|----------------|-------------------------|-------------------------|------------------|-------------------|------------------|-----------------------|
| EM-24T<br>(1Ø) | 24000                   | 120                     | 200              | 1.0               | 43               | FIG.2                 |

依據標準 (STANDARD) : CNS 11437、IEC 60044-2。使用頻率 (FREQUENCY) : 50/60Hz。  
注意：請勿倒掛或側掛安裝，表列外其它規格請直接和本公司洽詢。

# EL\_A (1Ø)

## 用途

0.72kV  
屋內用  
乾式  
控制用

## Usage

0.72kV  
For Indoor Application (Measuring)  
Dry Type  
For Control

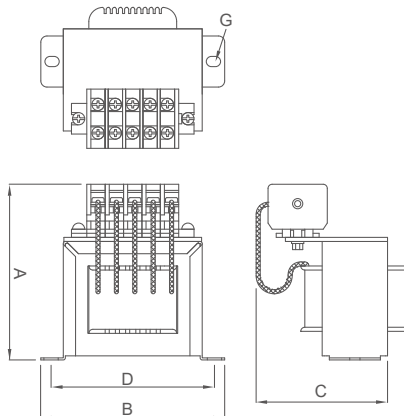


FIG.1

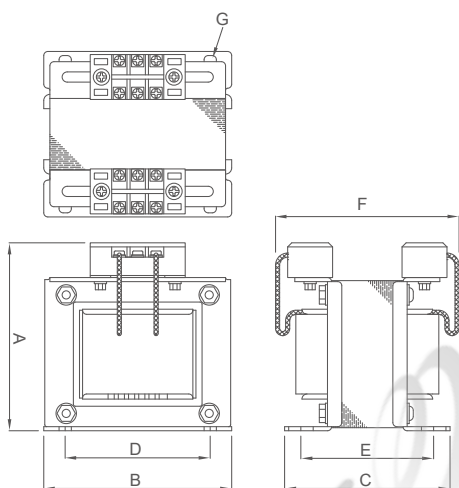


FIG.2

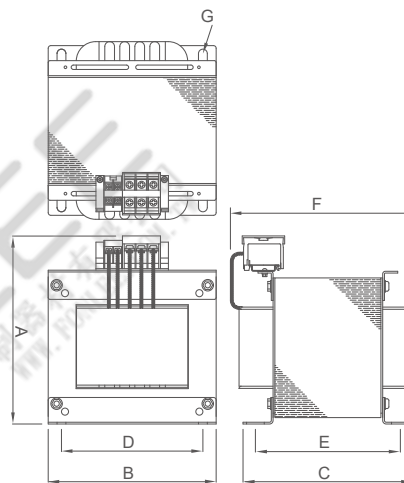


FIG.3

| 型號<br>TYPE | 一次電壓(V)<br>PRI.<br>VOLTAGE                | 二次電壓(V)<br>SEC.<br>VOLTAGE    | 負擔(VA)<br>BURDEN | 重量(kg)<br>WEIGHT | 圖號<br>FIG. | 外觀尺寸(mm) DIMENSION |     |     |     |     |     |         |
|------------|-------------------------------------------|-------------------------------|------------------|------------------|------------|--------------------|-----|-----|-----|-----|-----|---------|
|            |                                           |                               |                  |                  |            | A                  | B   | C   | D   | E   | F   | G(長孔)   |
| EL-PFA     |                                           |                               | 15               | 0.8              | 1          | 86                 | 90  | 75  | 79  | -   | -   | Ø5*7L   |
| EL-KFA     |                                           |                               | 50               | 2.0              |            | 92                 | 92  | 81  | 72  | 65  | 90  | Ø6*12L  |
| EL-RFA     |                                           |                               | 75               | 2.0              |            | 92                 | 92  | 94  | 72  | 80  | 105 | Ø6*12L  |
|            |                                           |                               | 100~120          | 2.6              |            | 102                | 102 | 84  | 80  | 66  | 95  | Ø6*12L  |
| EL-YFA     |                                           |                               | 150              | 3.2              |            | 102                | 102 | 94  | 80  | 78  | 105 | Ø6*12L  |
| EL-ZFA     |                                           |                               | 200              | 4.5              |            | 109                | 111 | 100 | 88  | 82  | 120 | Ø6*12L  |
| 1Ø         | 190,220,<br>380, 400,<br>440, 460,<br>480 | 110, 120,<br>190, 220,<br>240 | 250              | 4.6              | 2          | 109                | 111 | 112 | 88  | 90  | 121 | Ø6*14L  |
|            |                                           |                               | 300              | 5.6              |            | 117                | 120 | 112 | 95  | 90  | 121 | Ø6*14L  |
|            |                                           |                               | 400              | 5.0              |            | 131                | 138 | 95  | 112 | 74  | 116 | Ø8*15L  |
|            |                                           |                               | 500              | 7.5              |            | 131                | 138 | 100 | 112 | 79  | 121 | Ø8*15L  |
|            |                                           |                               | 600              | 8.3              |            | 131                | 138 | 120 | 112 | 100 | 141 | Ø8*15L  |
|            |                                           |                               | 750              | 9.3              |            | 131                | 138 | 130 | 112 | 110 | 151 | Ø8*15L  |
| EL-AFA     |                                           |                               | 1000             | 12.5             | 3          | 167                | 168 | 137 | 136 | 110 | 153 | Ø8*18L  |
| EL-GFA     |                                           |                               | 1500             | 18.0             |            | 167                | 168 | 162 | 136 | 135 | 178 | Ø8*18L  |
| EL-TFA     |                                           |                               | 2000             | 23.0             |            | 208                | 190 | 150 | 160 | 125 | 171 | Ø10*20L |
| EL-3FA     |                                           |                               | 3000             | 27.0             |            | 215                | 190 | 190 | 160 | 165 | 211 | Ø10*20L |
| EL-5FA     |                                           |                               | 5000             | 52.5             |            | 245                | 228 | 208 | 150 | 179 | 250 | Ø9*22L  |
|            |                                           |                               |                  |                  |            |                    |     |     |     |     |     |         |

依據標準(STANDARD)：IEC 60044-2。使用頻率(FREQUENCY)：60Hz。  
表列外其它規格請直接和本公司洽詢。

# EL\_A (3Ø)

**用途**

0.72kV  
屋內用  
乾式  
控制用

**Usage**

0.72kV  
For Indoor Application (Measuring)  
Dry Type  
For Control

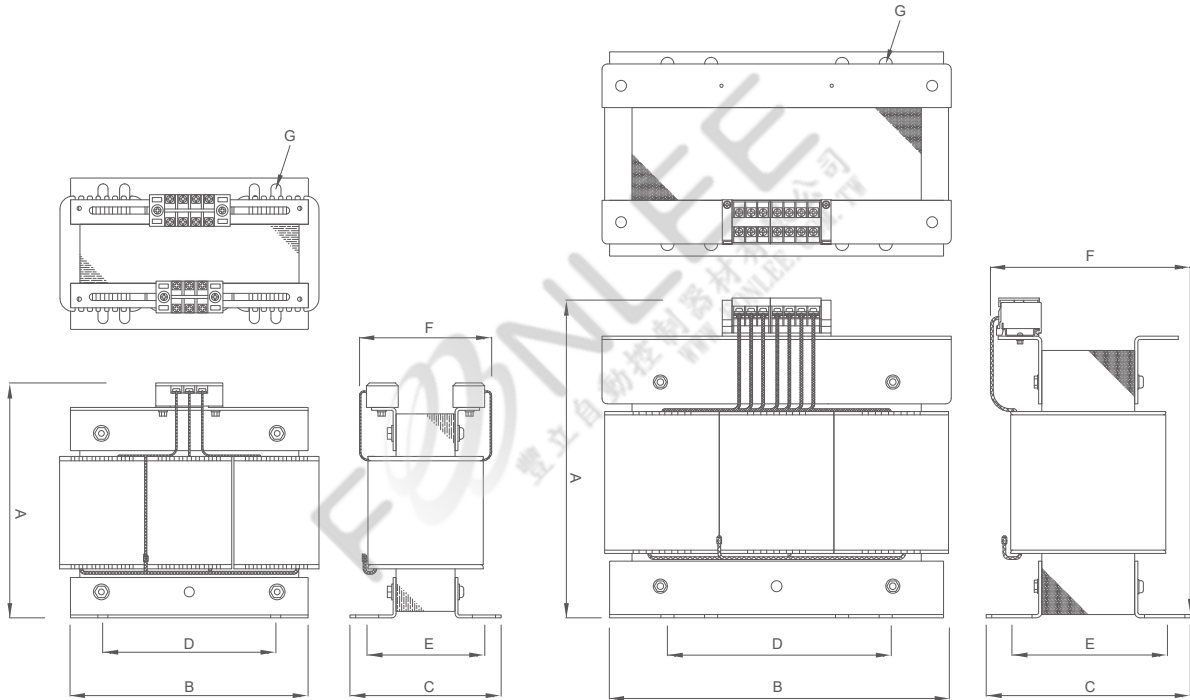


FIG.1

FIG.2

| 型號<br>TYPE | 一次電壓(V)<br>PRI.<br>VOLTAGE | 二次電壓(V)<br>SEC.<br>VOLTAGE | 接線<br>CONNECTION | 容量<br>(VA)<br>CAPACITY | 重量(kg)<br>WEIGHT | 圖號<br>FIG. | 外觀尺寸(mm) DIMENSION |     |     |     |     |     |         |         |
|------------|----------------------------|----------------------------|------------------|------------------------|------------------|------------|--------------------|-----|-----|-----|-----|-----|---------|---------|
|            |                            |                            |                  |                        |                  |            | A                  | B   | C   | D   | E   | F   | G(長孔)   |         |
| EL-KFA     |                            |                            |                  | 50                     | 2.3              | 1          | 141                | 135 | 76  | 60  | 54  | 79  | Ø7*16L  |         |
| EL-RFA     |                            |                            |                  | 100                    | 2.3              |            | 141                | 135 | 76  | 60  | 54  | 79  | Ø7*16L  |         |
| EL-ZFA     |                            |                            |                  | 200                    | 3.2              |            | 141                | 135 | 81  | 60  | 59  | 84  | Ø7*16L  |         |
| EL-SFA     | 220, 380,                  | 110, 115,                  | △ - △            | 500                    | 8.3              |            | 163                | 165 | 105 | 120 | 83  | 92  | Ø7*16L  |         |
| 3Ø EL-AFA  | 400, 440,                  | 120, 220                   | △ - Y            | 1000                   | 13               |            | 205                | 190 | 101 | 160 | 75  | 96  | Ø10*20L |         |
| EL-GFA     | 460, 480                   |                            | Y - Y            | 1500                   | 19               |            | 205                | 190 | 101 | 160 | 100 | 121 | Ø10*20L |         |
| EL-TFA     |                            |                            |                  | 2000                   | 25               |            | 205                | 190 | 101 | 160 | 130 | 151 | Ø10*20L |         |
| EL-3FA     |                            |                            |                  | 3000                   | 34               |            | 2                  | 251 | 228 | 144 | 150 | 115 | 155     | Ø6*22L  |
| EL-5FA     |                            |                            |                  | 5000                   | 52               |            |                    | 293 | 306 | 187 | 200 | 140 | 193     | Ø12*37L |

依據標準(STANDARD)：IEC 60044-2。使用頻率(FREQUENCY)：60Hz。  
表列外其它規格請直接和本公司洽詢。



# TR

## 用途

0.66kV  
樹脂鑄造  
屋內操作控制用

## Usage

0.66kV  
Epoxy Resin Molded  
For Indoor Application (Control)

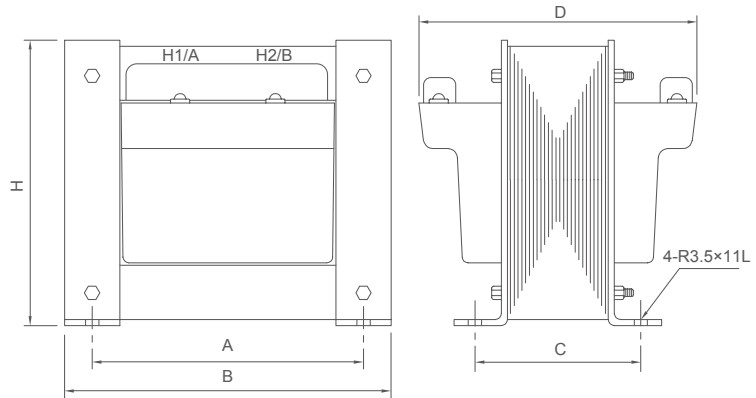


FIG.1 1Ø, TR

| 型號<br>TYPE | 一次電壓(V)<br>PRI. VOLTAGE         | 二次電壓(V)<br>SEC. VOLTAGE | 容量<br>(VA)<br>CAPACITY | 重量(kg)<br>WEIGHT | 圖號<br>FIG. | 外觀尺寸(mm) DIMENSION |     |     |     |     |
|------------|---------------------------------|-------------------------|------------------------|------------------|------------|--------------------|-----|-----|-----|-----|
|            |                                 |                         |                        |                  |            | A                  | B   | C   | D   | H   |
| 1Ø         | 220, 380, 400,<br>440, 460, 480 | 110, 115,<br>120, 220   | 50~75                  | 6.0              | 1          | 96                 | 115 | 105 | 148 | 100 |
|            |                                 |                         | 100~150                | 7.5              |            | 110                | 135 | 100 | 155 | 115 |
|            |                                 |                         | 200~300                | 10               |            | 142                | 170 | 81  | 146 | 150 |
|            |                                 |                         | 400~1000               | 16               |            | 168                | 200 | 88  | 170 | 182 |

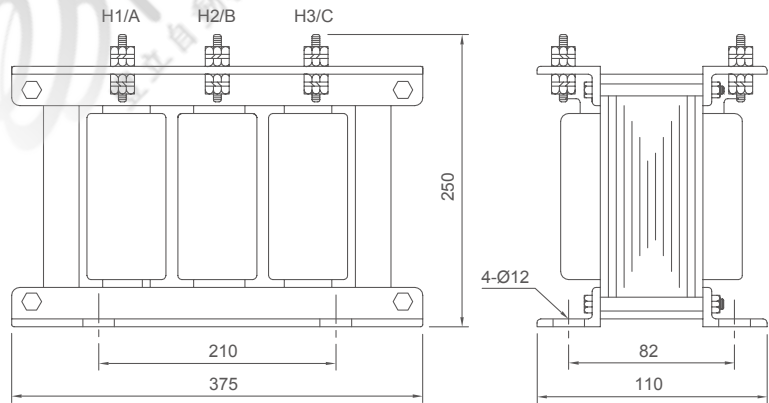


FIG.2 3Ø, TR

| 型號<br>TYPE        | 一次電壓(V)<br>PRI. VOLTAGE         | 二次電壓(V)<br>SEC. VOLTAGE          | 容量(VA)<br>CAPACITY | 重量(kg)<br>WEIGHT | 外觀尺寸(mm) DIMENSION |
|-------------------|---------------------------------|----------------------------------|--------------------|------------------|--------------------|
| 3Ø, TR<br>(EH-GV) | 220, 380, 400,<br>440, 460, 480 | 110,<br>115,<br>120,<br>190Y-110 | 50~1000            | 25               | FIG. 2             |

依據標準 (STANDARD) : CNS 11437、IEC60044-2。使用頻率 (FREQUENCY) : 60Hz。  
客戶若需採用隔離式 (一次繞組和二次繞組間有接地遮蔽) 製作, 請註明。表列外其它規格請直接和本公司洽詢。

# TR

## 用途

0.72kV  
線圈樹脂絕緣  
屋內操作控制用

## Usage

0.72kV  
Epoxy Resin Molded  
For Indoor Application (Control)

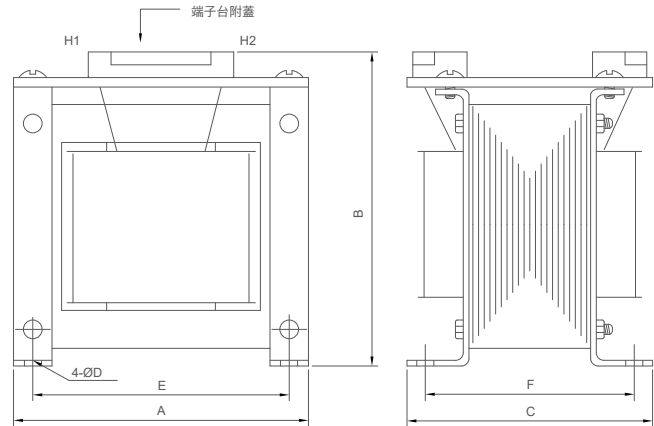


FIG.1 1Ø, TR

| 型號<br>TYPE | 一次電壓(V)<br>PRI. VOLTAGE | 二次電壓(V)<br>SEC. VOLTAGE | 容量<br>(VA)<br>CAPACITY | 重量(kg)<br>WEIGHT | 圖號<br>FIG. | 外觀尺寸(mm) DIMENSION |     |     |    |     |     |
|------------|-------------------------|-------------------------|------------------------|------------------|------------|--------------------|-----|-----|----|-----|-----|
|            |                         |                         |                        |                  |            | A                  | B   | C   | ØD | E   | F   |
| 1Ø, TR     | EH-TF                   | 220, 380, 400,          | 110, 115,              | 1001~2000        | 1          | 195                | 200 | 150 | 10 | 158 | 130 |
|            | EH-3F                   | 440, 460, 480           | 120, 220               | 2001~3000        |            | 230                | 230 | 160 | 10 | 160 | 125 |

依據標準(STANDARD)：IEC 60044-2。使用頻率(FREQUENCY)：60Hz。  
表列外其它規格請直接和本公司洽詢。

# TR

## 用途

0.72kV  
屋內用  
線圈樹脂絕緣  
屋內操作控制用

## Usage

0.72kV  
Indoor Use  
Epoxy Resin Molded  
For Indoor Application (Control)

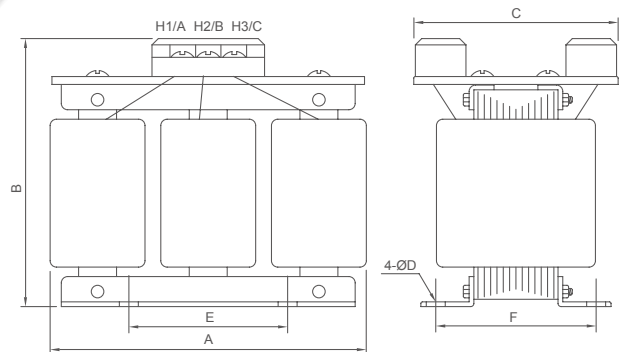


FIG.2 3Ø, TR

| 型號<br>TYPE | 一次電壓(V)<br>PRI. VOLTAGE | 二次電壓(V)<br>SEC. VOLTAGE | 接線<br>CONNECTION      | 容量<br>(VA)<br>CAPACITY | 重量(kg)<br>WEIGHT | 圖號<br>FIG. | 外觀尺寸(mm) DIMENSION |     |     |     |     |     |     |
|------------|-------------------------|-------------------------|-----------------------|------------------------|------------------|------------|--------------------|-----|-----|-----|-----|-----|-----|
|            |                         |                         |                       |                        |                  |            | A                  | B   | C   | ØD  | E   | F   |     |
| 3Ø, TR     | EH-KF                   |                         |                       | 50                     | 4.5              | 2          | 165                | 185 | 100 | 5   | 79  | 65  |     |
|            | EH-ZF                   |                         |                       | 200                    | 7.5              |            | 180                | 185 | 105 | 5   | 90  | 73  |     |
|            | EH-SF                   | 220, 380,<br>400, 440,  | 110, 115,<br>120, 220 | △—△<br>△—Y             | 500              |            | 12                 | 180 | 185 | 130 | 6   | 90  | 100 |
|            | EH-AF                   |                         |                       |                        | 1000             |            | 14                 | 235 | 225 | 110 | 10  | 160 | 85  |
|            | EH-TF                   |                         |                       | 2000                   | 24.5             |            | 230                | 225 | 165 | 10  | 160 | 135 |     |
|            | EH-3F                   |                         |                       | 3000                   | 35.5             |            | 273                | 265 | 156 | 10  | 160 | 125 |     |

依據標準(STANDARD)：IEC 60044-2。使用頻率(FREQUENCY)：60Hz(依客戶指定)。  
頻率若未指定標示時，將以60Hz特性設計製造。  
表列外其它規格請直接和本公司洽詢。

# ELG-RF, ZF, NF, LF, AF

## 用途

0.66kV  
乾式  
屋內接地保護用

## Usage

0.66kV  
Dry Type  
For Indoor Application  
(Earth Protection)

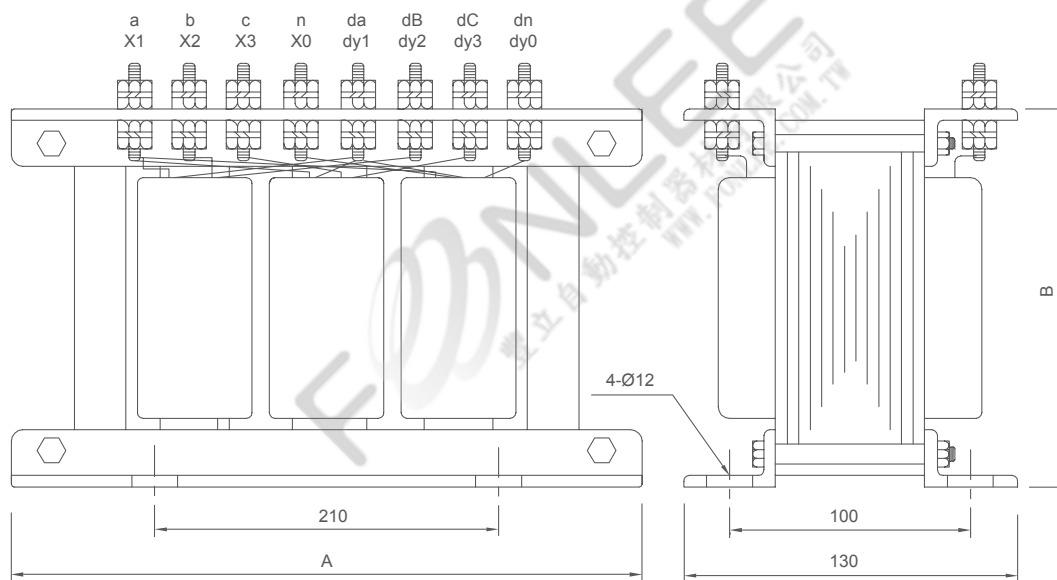


FIG.1

| 型號<br>TYPE | 一次電壓(V)<br>PRI. VOLTAGE | 二次電壓<br>(V)<br>SEC.<br>VOLTAGE | 三次電壓(V)<br>TER. VOLTAGE | 負擔(VA) BURDEN<br>二次 / 三次<br>SEC. / TER | 準確度<br>ACC.<br>CLASS | 重量(kg)<br>WEIGHT | 圖號<br>FIG. | 外觀尺寸(mm) |     |
|------------|-------------------------|--------------------------------|-------------------------|----------------------------------------|----------------------|------------------|------------|----------|-----|
|            |                         |                                |                         |                                        |                      |                  |            | A        | B   |
| ELG-RF     |                         |                                |                         | 3×17 / 3×17                            |                      | 20               |            |          |     |
| ELG-ZF     | 220 380                 | 110                            |                         | 3×34 / 3×34                            |                      | 20               |            | 370      | 215 |
| ELG-NF     | 440 460<br>480 550      | 115<br>120                     | 110 / 3<br>190 / 3      | 3×50 / 3×50                            | 3.0 / 3P             | 22               | 1          |          |     |
| ELG-LF     | 575                     |                                |                         | 3×100 / 3×67, 3×100 / 3×100            |                      | 27               |            | 400      | 265 |
| ELG-AF     |                         |                                |                         | 3×167 / 3×167                          |                      |                  |            |          |     |

依據標準 (STANDARD) : CNS 11437、IEC 60044-2。使用頻率 (FREQUENCY) : 60Hz。  
表列外其它規格請直接和本公司洽詢。

# EHG-LF

## 用途

0.66kV  
樹脂鑄造  
屋內接地保護用

## Usage

0.66kV  
Epoxy Resin Molded  
For Indoor Application  
(Earth Protection)

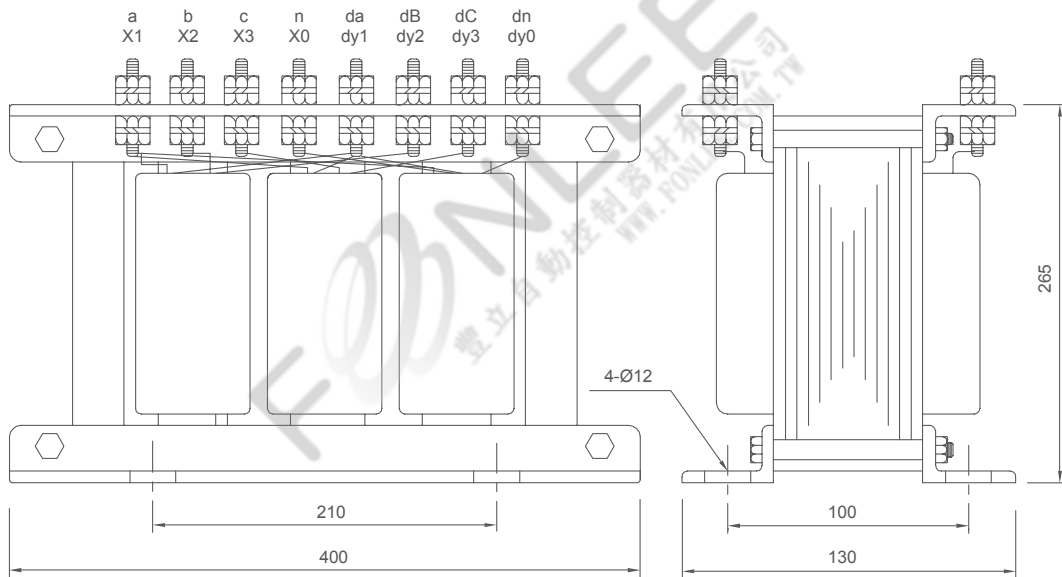
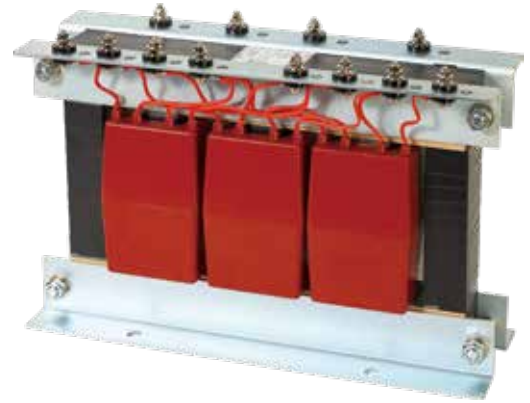


FIG.1 EHG-LF

| 型號<br>TYPE | 一次電壓(V)<br>PRI. VOLTAGE                                | 二次電壓(V)<br>SEC. VOLTAGE             | 三次電壓(V)<br>TER. VOLTAGE | 負擔(VA) BURDEN<br>二次/三次<br>SEC./TER | 準確度<br>ACC. CLASS | 重量(kg)<br>WEIGHT | 圖號<br>FIG. |
|------------|--------------------------------------------------------|-------------------------------------|-------------------------|------------------------------------|-------------------|------------------|------------|
| EHG-LF     | 220 380<br>440 460<br>480 550<br>575<br>Y <sub>2</sub> | 110<br>115<br>120<br>Y <sub>2</sub> | 110/3<br>190/3<br>△     | 3×17/3×17                          | 3.0/3P            | 33               | FIG.1      |
|            |                                                        |                                     |                         | 3×34/3×34                          |                   |                  |            |
|            |                                                        |                                     |                         | 3×50/3×50                          |                   |                  |            |
|            |                                                        |                                     |                         | 3×100/3×67                         |                   |                  |            |
|            |                                                        |                                     |                         | 3×100/3×100                        |                   |                  |            |
|            |                                                        |                                     |                         | 3×167/3×167                        |                   |                  |            |

依據標準 (STANDARD) : CNS 11437、IEC 60044-2。使用頻率 (FREQUENCY) : 60Hz。  
表列外其它規格請直接和本公司洽詢。

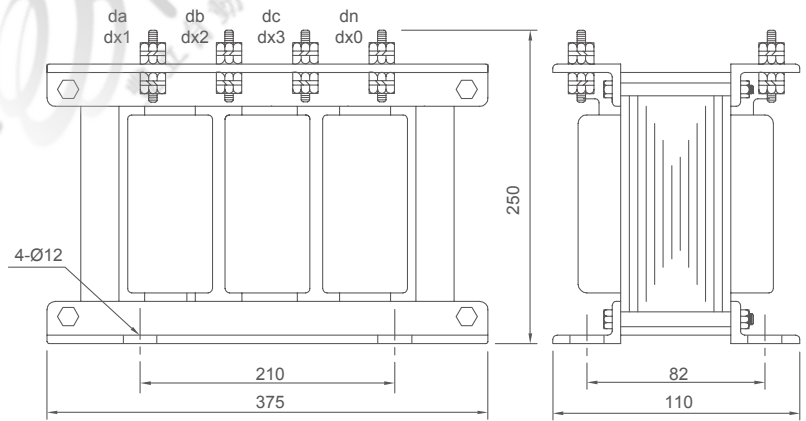
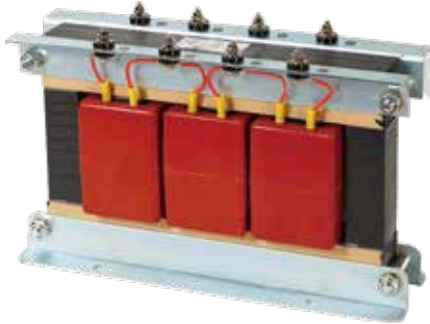
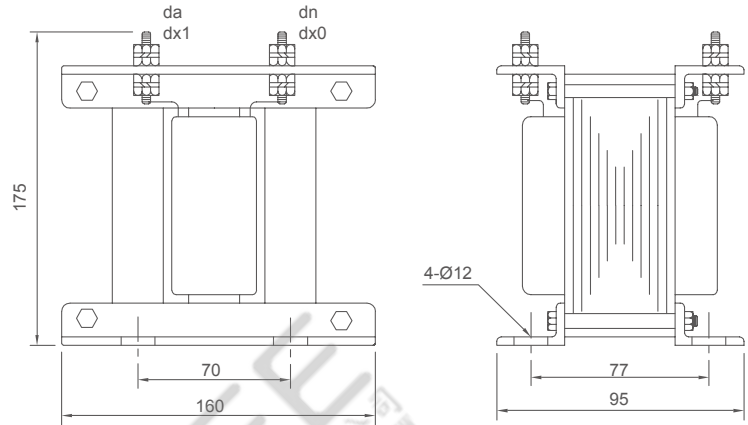
# EHG-GF

**用途**

0.66kV  
樹脂鑄造  
屋內接地保護用

**Usage**

0.66kV  
Epoxy Resin Molded  
For Indoor Application (Earth Protection)



| 型號<br>TYPE | 相數<br>PHASE | 接線<br>CONNECTION       | 一次電壓(V)<br>PRI. VOLTAGE    | 二次電壓(V)<br>SEC. VOLTAGE | 負擔(VA)<br>BURDEN                 | 準確度<br>ACC. CLASS | 重量(kg)<br>WEIGHT | 外觀尺寸(mm)<br>DIMENSION |
|------------|-------------|------------------------|----------------------------|-------------------------|----------------------------------|-------------------|------------------|-----------------------|
| EHG-GF     | 1           | —                      | 220 / $\sqrt{3}$           | 110 / 3<br>190 / 3      | 100                              | 3P                | 7.5              | FIG.1                 |
|            |             |                        | 380 / $\sqrt{3}$           |                         | 300                              |                   |                  |                       |
|            | 3           | $Y \rightarrow \Delta$ | 220, 380, 400,<br>440, 480 |                         | $3 \times 100$<br>$3 \times 167$ | 3P                | 25               | FIG.2                 |

依據標準 (STANDARD) : CNS 11437、IEC 60044-2。使用頻率 (FREQUENCY) : 60Hz。  
表列外其它規格請直接和本公司洽詢。

# EHG-3ZF(1Ø), EHG-3LF(3Ø)

**用途**

3.6kV  
樹脂鑄造  
屋內接地保護用

**Usage**

3.6kV  
Epoxy Resin Molded  
For Indoor Application  
(Earth Protection)

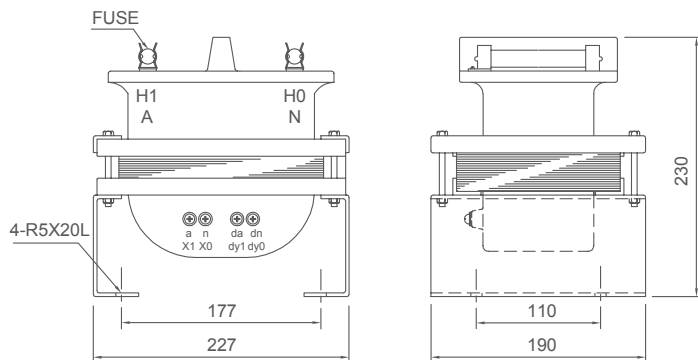


FIG.1 EHG-3ZF

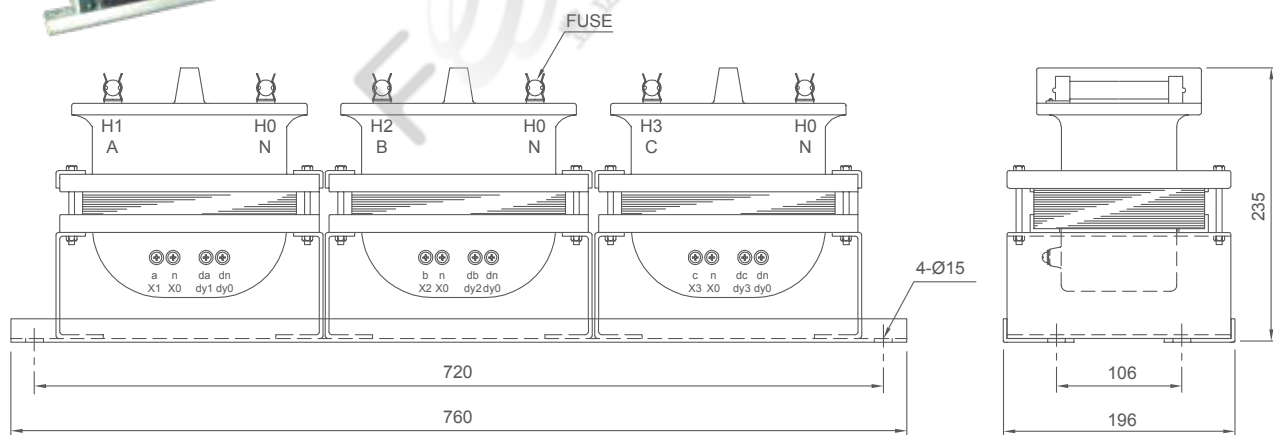
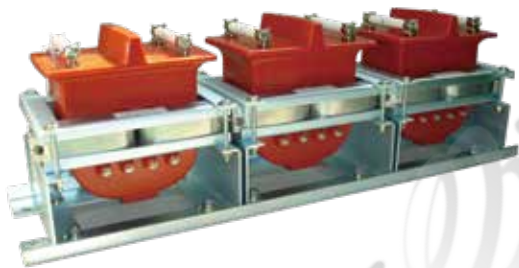


FIG.2 EHG-3LF

| 型號<br>TYPE      | 一次電壓(V)<br>PRI. VOLTAGE | 二次電壓(V)<br>SEC. VOLTAGE | 三次電壓(V)<br>TER. VOLTAGE | 負擔(VA)BURDEN<br>二次/三次<br>SEC./TER | 準確度<br>ACC.<br>CLASS | 重量(kg)<br>WEIGHT | 外觀尺寸(mm)<br>DIMENSION |
|-----------------|-------------------------|-------------------------|-------------------------|-----------------------------------|----------------------|------------------|-----------------------|
| EHG-3ZF<br>(1Ø) | 3300 /√3                | 100 /√3                 | 100 /3                  | 50 / 50                           | 1.0 / 3P             | 17               | FIG.1                 |
|                 |                         | 110 /√3                 | 110 /3                  | 100 / 100                         | 3.0 / 3P             |                  |                       |
| EHG-3LF<br>(3Ø) | 3300 Y↓                 | 110 Y↓                  | 110 /3<br>190 /3        | 3×100 / 3×100                     | 3.0 / 3P             | 50               | FIG.2                 |

依據標準 (STANDARD) : CNS 11437、IEC 60044-2。使用頻率 (FREQUENCY) : 60Hz。  
注意：表列型式請勿倒掛或側掛安裝，表列外其它規格請直接和本公司洽詢。

## EMS-24Z

### 用途

24kV  
全樹脂鑄造  
屋內接地保護用

### Usage

24kV  
Epoxy Resin Molded  
For Indoor Application  
(Earth Protection)

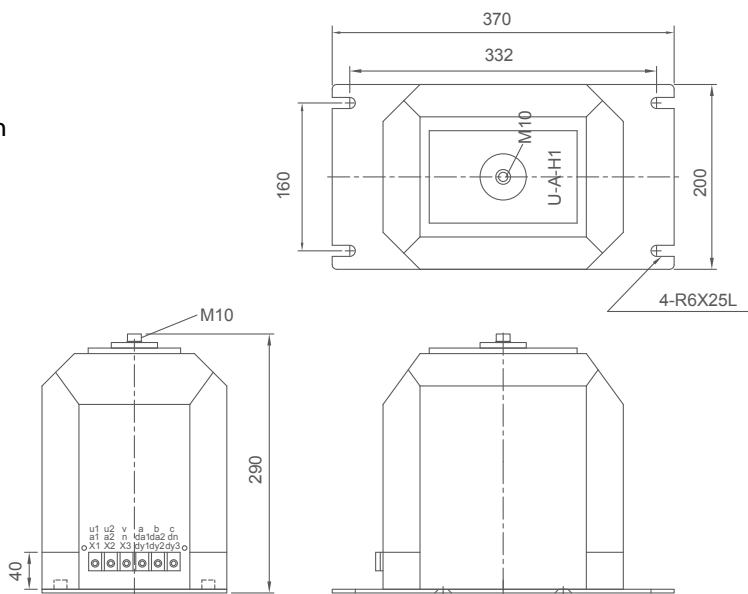


FIG.1 EMS-24Z

| 型號<br>TYPE      | 一次電壓(V)<br>PRI. VOLTAGE                                        | 二次電壓(V)<br>SEC.<br>VOLTAGE                               | 三次電壓(V)<br>TER. VOLTAGE                  | 負擔(VA)BURDEN<br>一次(二次/三次)<br>PRI. (SEC. / TER.) | 準確度<br>ACC.<br>CLASS | 重量(kg)<br>WEIGHT | 外觀尺寸(mm)<br>DIMENSION |
|-----------------|----------------------------------------------------------------|----------------------------------------------------------|------------------------------------------|-------------------------------------------------|----------------------|------------------|-----------------------|
| EMS-24Z<br>(1Ø) | 10000 / $\sqrt{3}$<br>22000 / $\sqrt{3}$<br>24000 / $\sqrt{3}$ | 100 / $\sqrt{3}$<br>110 / $\sqrt{3}$<br>120 / $\sqrt{3}$ | 100 / 3<br>110 / 3<br>120 / 3<br>190 / 3 | 200 (100/100)                                   | 3.0 / 3P             | 32               | FIG. 1                |

## EMS-24N

### 用途

24kV  
樹脂鑄造  
屋內接地保護用

### Usage

24kV  
Epoxy Resin Molded  
For Indoor Application  
(Earth Protection)

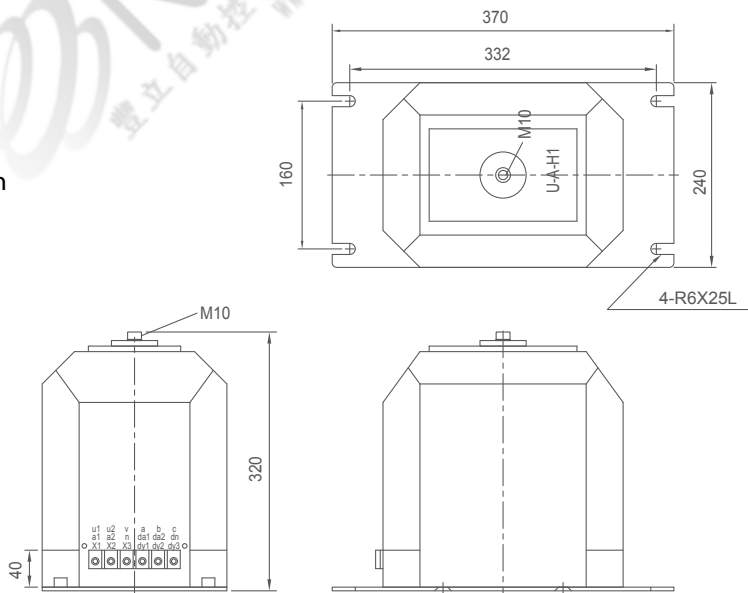


FIG.1 EMS-24N

| 型號<br>TYPE      | 一次電壓(V)<br>PRI. VOLTAGE                                        | 二次電壓(V)<br>SEC.<br>VOLTAGE                               | 三次電壓(V)<br>TER. VOLTAGE                  | 負擔(VA)BURDEN<br>一次(二次/三次)<br>PRI. (SEC. / TER.) | 準確度<br>ACC.<br>CLASS | 重量(kg)<br>WEIGHT | 外觀尺寸(mm)<br>DIMENSION |
|-----------------|----------------------------------------------------------------|----------------------------------------------------------|------------------------------------------|-------------------------------------------------|----------------------|------------------|-----------------------|
| EMS-24N<br>(1Ø) | 10000 / $\sqrt{3}$<br>22000 / $\sqrt{3}$<br>24000 / $\sqrt{3}$ | 100 / $\sqrt{3}$<br>110 / $\sqrt{3}$<br>120 / $\sqrt{3}$ | 100 / 3<br>110 / 3<br>120 / 3<br>190 / 3 | 400 (200/200)                                   | 3.0 / 3P             | 45               | FIG. 2                |

依據標準 (STANDARD) : CNS 11437、IEC 60044-2。使用頻率 (FREQUENCY) : 50/60Hz(客戶指定)。  
頻率若未指定標示時, 將以CNS標準60Hz特性設計製造。  
3Ø規格GPT為此型號GP T3台作Y-Y-開△連接, 其單相(一次負擔) = (二次負擔) + (三次負擔)。  
表列外其它規格請直接和本公司洽詢。

# TM-2HF

**用途**

24kV  
樹脂鑄造  
屋內計測用

**Usage**

24kV  
Epoxy Resin Molded  
For Indoor Application (Measuring)

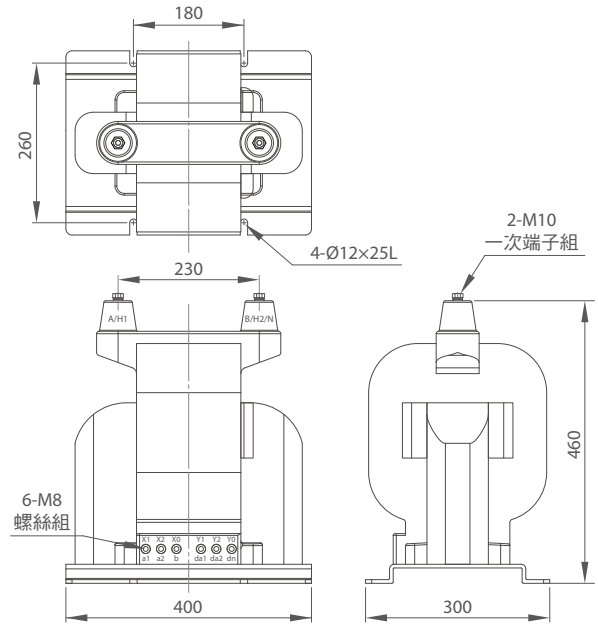


FIG.1 TM-2HF

| 型號<br>TYPE       | 一次電壓 (V)<br>PRI. VOLTAGE | 二次電壓 (V)<br>SEC. VOLTAGE | 三次電壓 (V)<br>TER. VOLTAGE | 負擔 (VA)<br>BURDEN | 準確度<br>ACC. CLASS | 熱容量 (VA)<br>THERMAL<br>BURDEN | 重量 (kg)<br>WEIGHT | 外觀尺寸<br>(mm)<br>DIMENSION |         |         |
|------------------|--------------------------|--------------------------|--------------------------|-------------------|-------------------|-------------------------------|-------------------|---------------------------|---------|---------|
| TM-2HF<br>(1Ø)   | 11400                    | 110                      | -                        | 200               | 1.0               | 1700                          | 65                | FIG.1                     |         |         |
|                  | 12000                    |                          |                          |                   |                   |                               |                   |                           |         |         |
|                  | 22800                    |                          |                          |                   |                   |                               |                   |                           |         |         |
|                  | 24000                    |                          |                          |                   |                   |                               |                   |                           |         |         |
|                  | 22000-11000              |                          |                          | 115               | -                 |                               |                   |                           | 200/50  | 1.0     |
|                  | 22800-11400              |                          |                          |                   |                   |                               |                   |                           |         |         |
|                  | 24000-12000              |                          |                          |                   |                   |                               |                   |                           |         |         |
|                  | 11400 / √3               | 120                      | -                        |                   |                   |                               |                   |                           | 500/200 | 3.0     |
|                  | 12000 / √3               |                          |                          |                   |                   |                               |                   |                           |         |         |
|                  | 22800 / √3               |                          |                          |                   |                   |                               |                   |                           | 110 / 3 | 110 / 3 |
|                  | 24000 / √3               |                          |                          |                   |                   |                               |                   |                           |         |         |
|                  | 22000-11000 / √3         |                          |                          | 120 / 3           | 120 / 3           |                               |                   |                           |         |         |
| 22800-11400 / √3 |                          |                          |                          |                   |                   |                               |                   |                           |         |         |
| 24000-12000 / √3 | 190 / 3                  | 190 / 3                  | -                        |                   |                   | -                             |                   |                           |         |         |
|                  |                          |                          |                          |                   |                   |                               |                   |                           |         |         |
|                  |                          |                          | 200 / 3                  |                   |                   | 200 / 3                       | -                 | -                         |         |         |
|                  |                          |                          |                          |                   |                   |                               |                   |                           |         |         |
|                  |                          |                          |                          | 190 / √3          | -                 |                               | -                 | -                         |         |         |
|                  |                          |                          |                          |                   |                   |                               |                   |                           |         |         |
|                  | 200 / 3                  | -                        |                          |                   |                   |                               | -                 | -                         |         |         |
|                  |                          |                          |                          |                   |                   |                               |                   |                           |         |         |

依據標準 (STANDARD) : IEC 60044-2 使用頻率 (FREQUENCY) : 50Hz 或60Hz(客戶指定)。

頻率若未指定標示時, 將以60Hz特性設計製造。

以3Ø電源供電時, 使用端應視容量需求。若採取將此型式3台作三相接線, 其三相總容量上限為單相容量×3。

或將此型式2台利用V-V接線做三相連接, 其三相總容量上限為為單相容量×2×0.866。

注意: 表列型式請勿倒掛或側掛安裝, 表列外其它規格請直接和本公司洽詢。



# TM-2TF

## 用途

24kV  
樹脂鑄造  
屋內計測用

## Usage

24kV  
Epoxy Resin Molded  
For Indoor Application (Measuring)

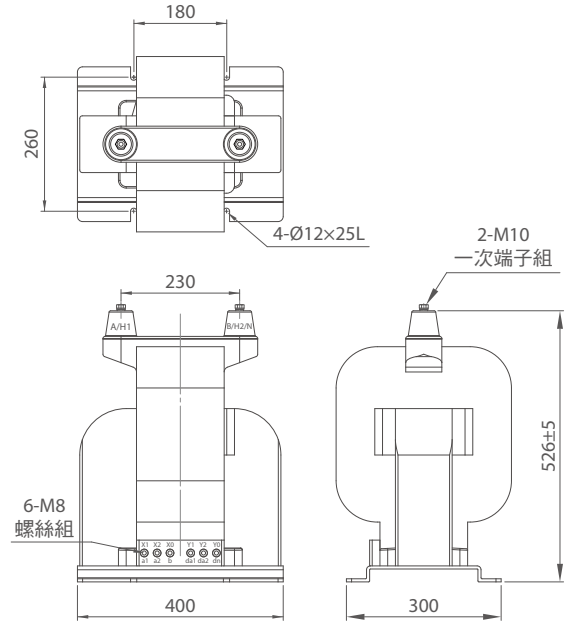


FIG.1 TM-2TF

| 型號<br>TYPE               | 一次電壓 (V)<br>PRI. VOLTAGE | 二次電壓 (V)<br>SEC. VOLTAGE | 三次電壓 (V)<br>TER. VOLTAGE | 負擔 (VA)<br>BURDEN | 準確度<br>ACC. CLASS | 熱容量 (VA)<br>THERMAL<br>BURDEN | 重量 (kg)<br>WEIGHT | 外觀尺寸<br>(mm)<br>DIMENSION |
|--------------------------|--------------------------|--------------------------|--------------------------|-------------------|-------------------|-------------------------------|-------------------|---------------------------|
| TM-2TF<br>(1Ø)           | 11400                    | 110                      | -                        | 200               | 1.0               | 3500                          | 95                | FIG.1                     |
|                          | 12000                    |                          |                          |                   |                   |                               |                   |                           |
|                          | 22800                    |                          |                          |                   |                   |                               |                   |                           |
|                          | 24000                    |                          |                          |                   |                   |                               |                   |                           |
|                          | 22000-11000              | 120                      | -                        | 200/50            | 1.0               |                               |                   |                           |
|                          | 22800-11400              |                          |                          | 500/200           | 3.0               |                               |                   |                           |
|                          | 24000-12000              |                          |                          |                   |                   |                               |                   |                           |
|                          | 11400 / $\sqrt{3}$       | 110 / $\sqrt{3}$         | 110 / 3                  | 200(100/100)      | 1.0/3P            |                               |                   |                           |
|                          | 12000 / $\sqrt{3}$       |                          |                          |                   |                   |                               |                   |                           |
|                          | 22800 / $\sqrt{3}$       |                          |                          |                   |                   |                               |                   |                           |
|                          | 24000 / $\sqrt{3}$       |                          |                          |                   |                   |                               |                   |                           |
|                          | 22000-11000 / $\sqrt{3}$ | 120 / $\sqrt{3}$         | 120 / 3                  | 1000(500/500)     | 3.0/3P            |                               |                   |                           |
| 22800-11400 / $\sqrt{3}$ |                          |                          |                          |                   |                   |                               |                   |                           |
| 24000-12000 / $\sqrt{3}$ |                          |                          |                          |                   |                   |                               |                   |                           |

依據標準 (STANDARD) : IEC 60044-2 使用頻率 (FREQUENCY) : 50Hz 或60Hz(客戶指定)。

頻率若未指定標示時, 將以60Hz特性設計製造。

以3Ø電源供電時, 使用端應視容量需求。若採取將此型式3台作三相接線, 其三相總容量上限為單相容量×3。

或將此型式2台利用V-V接線做三相連接, 其三相總容量上限為單相容量×2×0.866。

注意: 表列型式請勿倒掛或側掛安裝, 表列外其它規格請直接和本公司洽詢。

# INTEGRATION OF POWER SYSTEM

## 重電事業群

電力變壓器、模鑄式變壓器、油浸式配電變壓器、配電盤、分段開關/避雷器、高低壓進相電容器、智慧型低壓電容器盤、  
比流器/比壓器、智能型數位集合式電表、智能型三相多功能電子式電度表、智能型預付費單相電子式電度表



[www.seec.com.tw](http://www.seec.com.tw)