

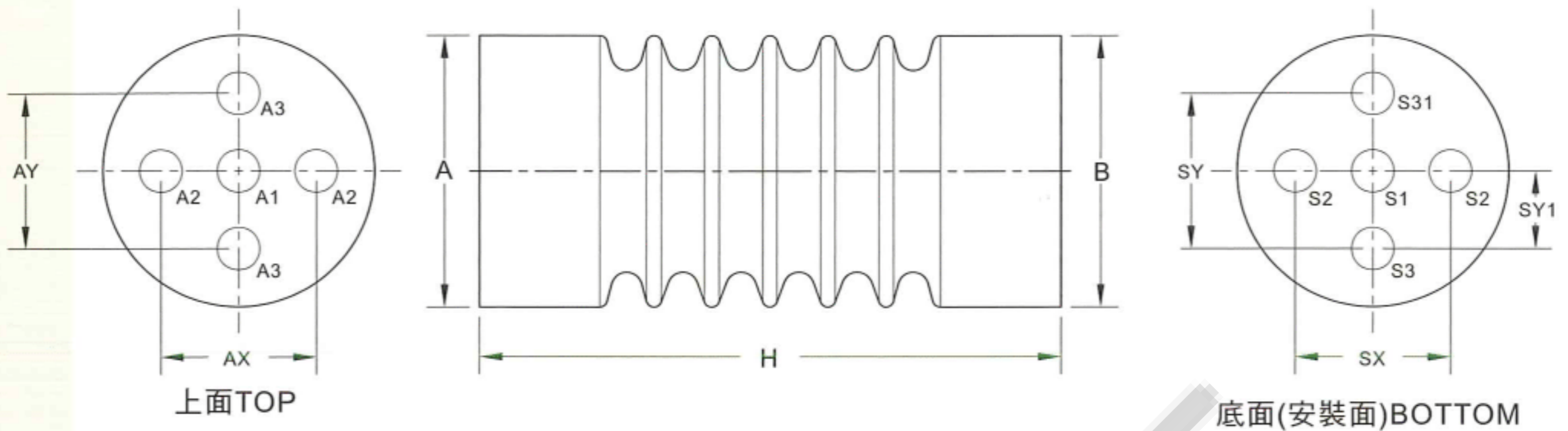
HIGH VOLTAGE INSULATOR 高壓支持礙子



LOW VOLTAGE INSULATOR 低壓支持礙子



HIGH VOLTAGE INSULATOR DIMENSION AND CHARACTERISTICS 高壓支持礙子 規格表



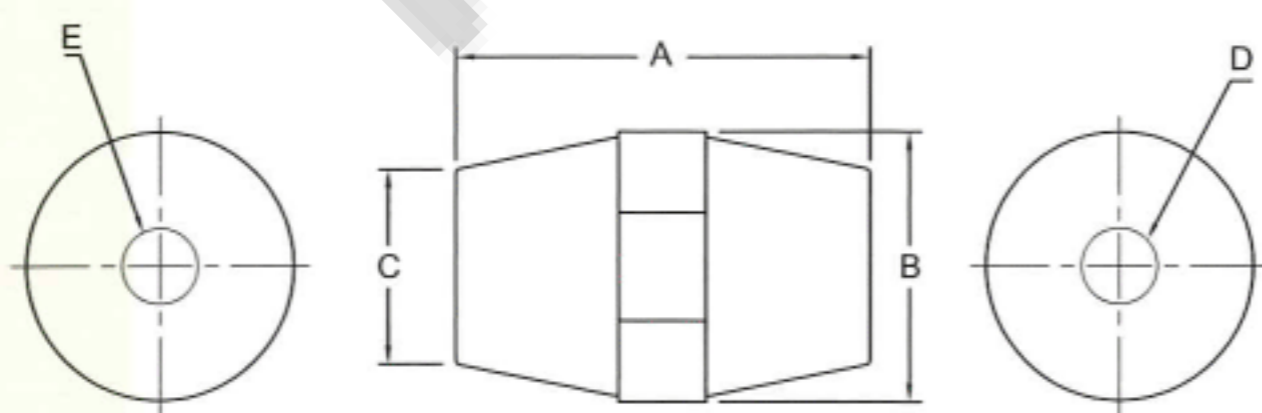
- (1) 材料：BMC/EPOXY 電氣絕緣材料。
- (2) 螺母：黃銅,其規格,數量和位置等可依設計而定。
- (3) 測試規範：JIS C 3801 和 JIS C 3851
- (4) 顏色：咖啡色或暗紅色。
- (5) 尺寸和特性：請參考下表。

- (1) Material : Bulk molding compound, unsaturated polyester resin based or EPOXY based
- (2) Nut inserts : Brass, various specifications are available. Arrangement of nut inserts can be designed upon request.
- (3) Test specifications : JIS C 3801 and JIS C 3851
- (4) Color : Dark brown or dark red
- (5) Dimension and characteristics : As below chart

件號 Part. No.	EL-30N	EL-20N	EL-10N	EL-10H	EL-25	EL-24	EL-15	EL-12	EL-6M	EL-3M	EL-6S	EL-3S		
兩端外徑, ϕ (A/B), mm	End diameters(A/B), mm	100	85/90	75/80	75/80	70	70	70	58	70	70	55	50	
高度(H), mm	Height(H), mm	310	210	145	115	230	210	142	130	90	60	90	50	
表面漏洩距離, mm	Surface leakage distance, mm	630	330	240	190	375	356	210	172	125	88	130	65	
定格電壓, kV	Rated voltage, kV	36	22	16.5	12	25	24	15	12	7.2	3.6	7.2	3.6	
低頻耐電壓強度1分鐘, kV	Low frequency dielectric strength, kV	75	50	36	28	60	60	50	36	22	16	22	16	
衝擊波耐電壓強度, kV	Impulse voltage resistance, kV	200	125	95	75	150	125	110	95	75	60	60	45	
耐曲折強度1分鐘, kg	Persistent bending strength, 1 min, kg	500	600	600	600	300	300	400	300	400	400	250	150	
拉伸強度, kg	Tensile strength, kg	>3000	>2000	>2000	>2000	>2000	>1500	>1500	>2000	>1200	>1200	>1800	>1000	
扭力強度, kg-m	Torque strength, kg-m *	>25	>25	>25	>25	>25	>25	>25	>25	>25	>25	>25	>20	
螺母排列 INSERTS ARRANGEMENT	上面 TOP	A1	M16	M10	M10	—	—	M10	M10	M10	M10	M10	—	—
		A2	M8	M8	M8	M8	M10	—	—	M8	M8	M8	—	M6
		A3	—	M10	M10	M10	M10	M8	M8	—	—	—	M8	—
		AX	40	34	34	34	40	—	—	36	40	40	—	32
		AY	—	40	40	40	40	40	40	—	—	—	32	—
		AY	—	40	40	40	40	40	40	—	—	—	32	—
	底面 (安裝面) BOTTOM	S1	M16	—	—	—	—	—	M10	M10	M10	M10	M10	M8
		S2	—	M10	M10	M10	—	—	—	—	—	—	—	—
		S3	M4	M10	M10	—	M10	—	—	—	—	—	—	—
		S31	—	M10	M10	—	M10	—	—	—	—	—	—	—
		SX	—	40	40	40	—	—	—	—	—	—	—	—
		SY	—	40	40	—	40	—	—	—	—	—	—	—
SY1	30	—	—	—	—	—	—	—	—	—	—	—		

* = 參考值 Reference value

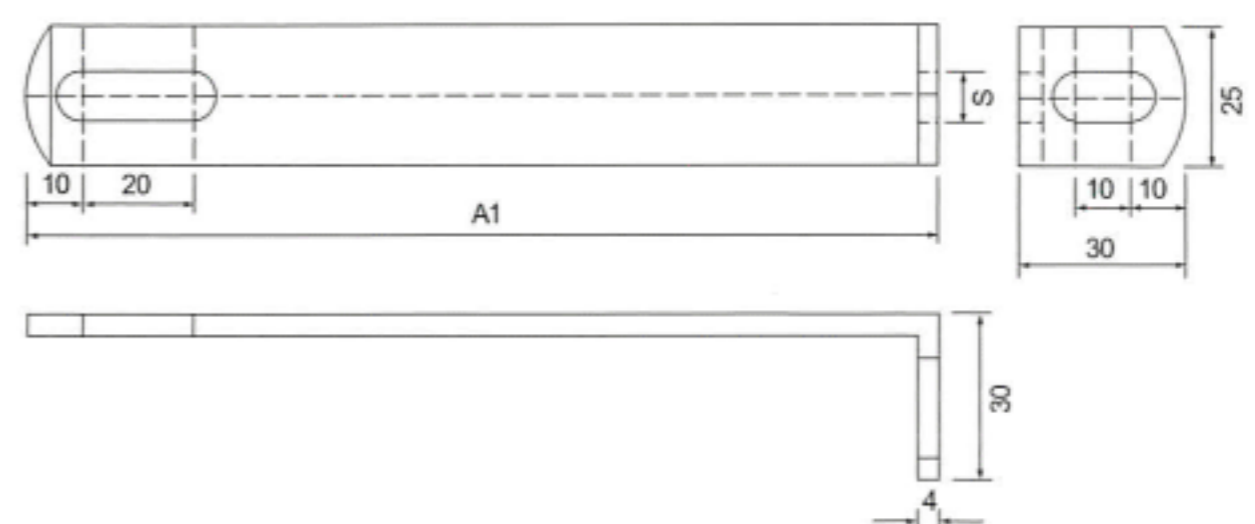
LOW VOLTAGE INSULATOR DIMENSION 低壓支持礙子 尺寸表



單位 unit:mm

	A	B	C	D	E
EL-25S	25	30	22.9	M6	M6
EL-35S	35	42	37	M8	M8
EL-35A	35	32	28	M8	M8
EL-40A	40	40	30	M8	M8
EL-51A	51	36	29	M8	M8
EL-76A	76	50	36	M10	M10

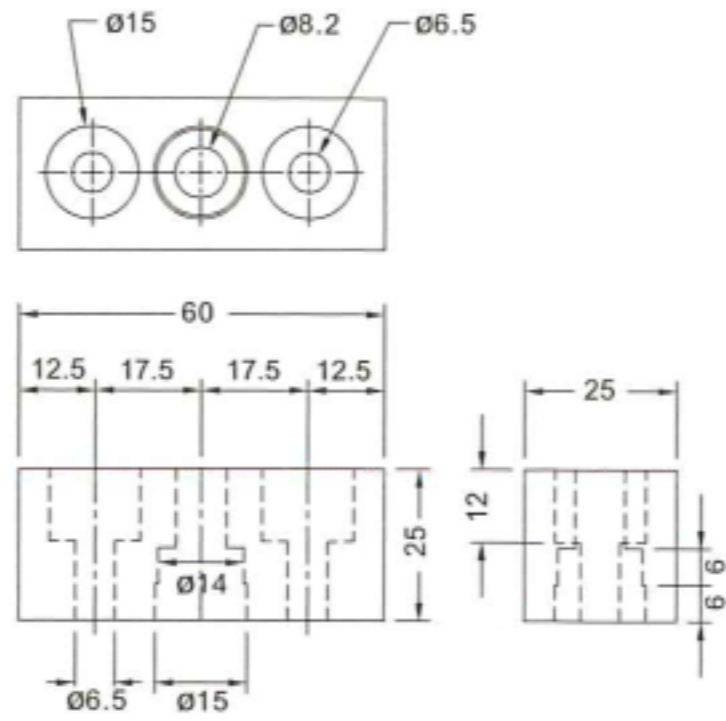
BUSBAR CLAMP DIMENSION L型銅排夾具 尺寸表



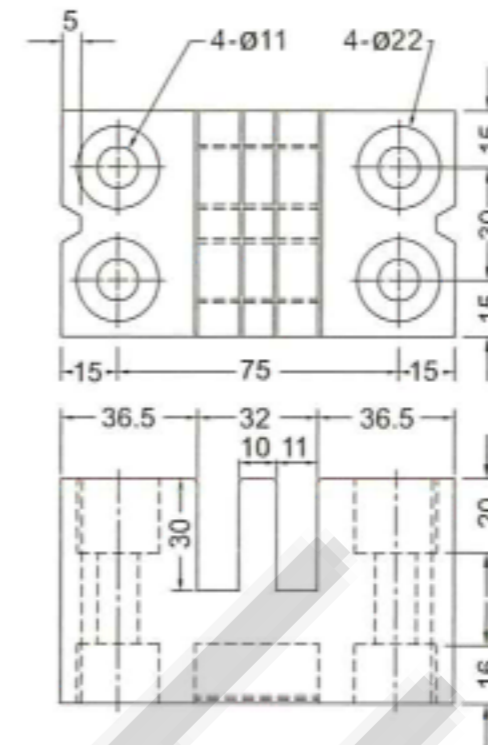
Dimension 件號 No.	尺寸	S	銅排固定側 Busbar side A1	適用銅排寬 Busbar width	備註 Remark
CP-1	9		75	40-60	每組含夾板2片及M8 螺絲一組 One set contains two pieces and M8 screws.
CP-2			100	60-80	
CP-3			120	80-105	
CP-4			140	105-125	
CP-5			165	125-150	
CP-1A	10.5		75	40-60	
CP-2A			100	60-80	
CP-3A			120	80-105	
CP-4A			140	105-125	
CP-5A			165	125-150	

BUSBAR SUPPORT DRAWING 銅排夾尺寸圖

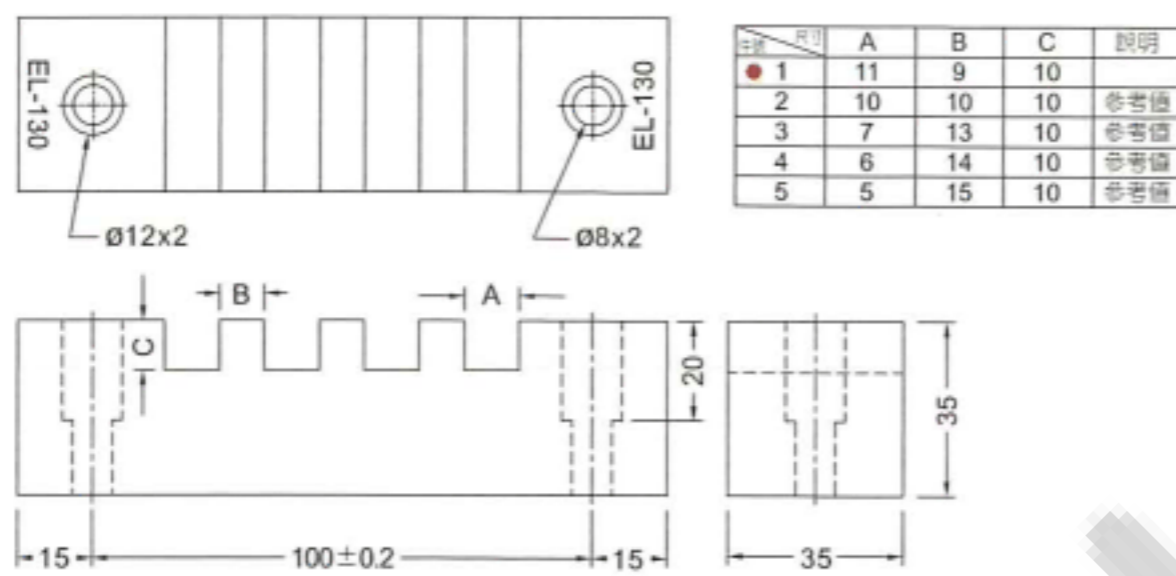
EL-60



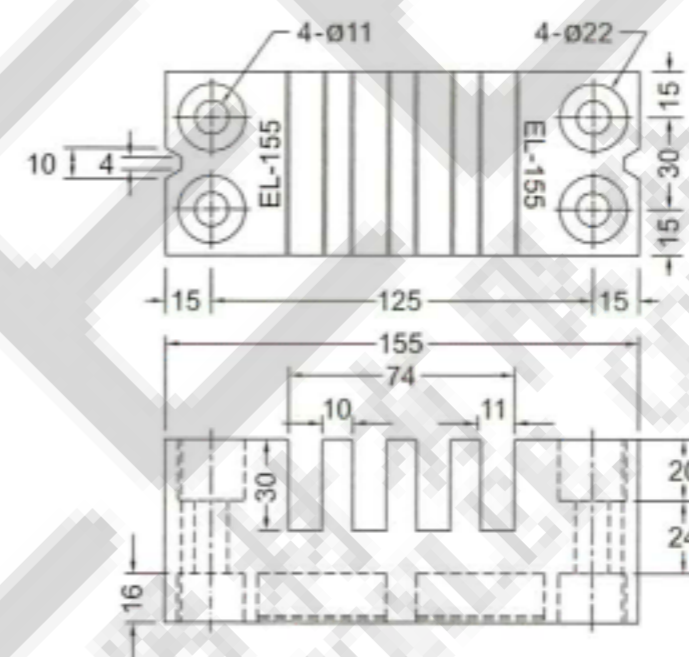
EL-105



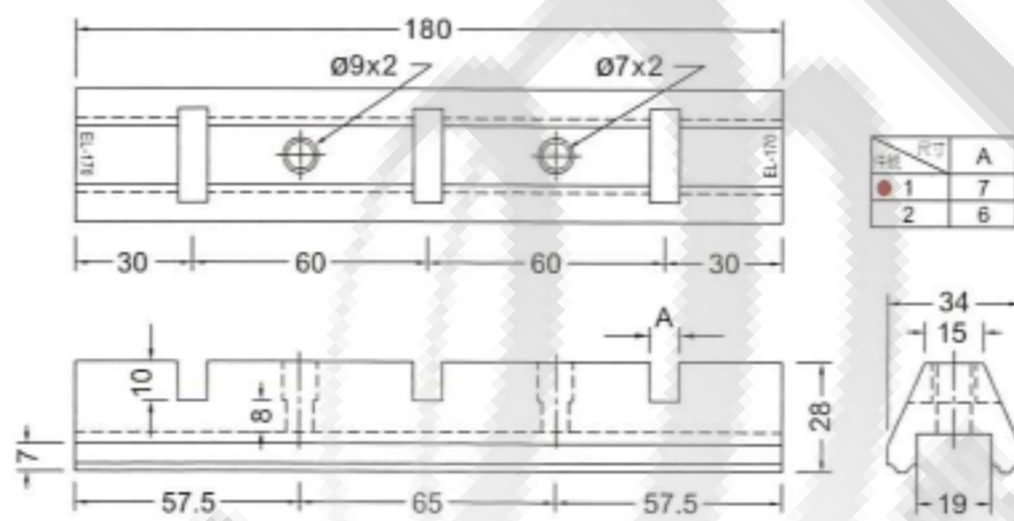
EL-130



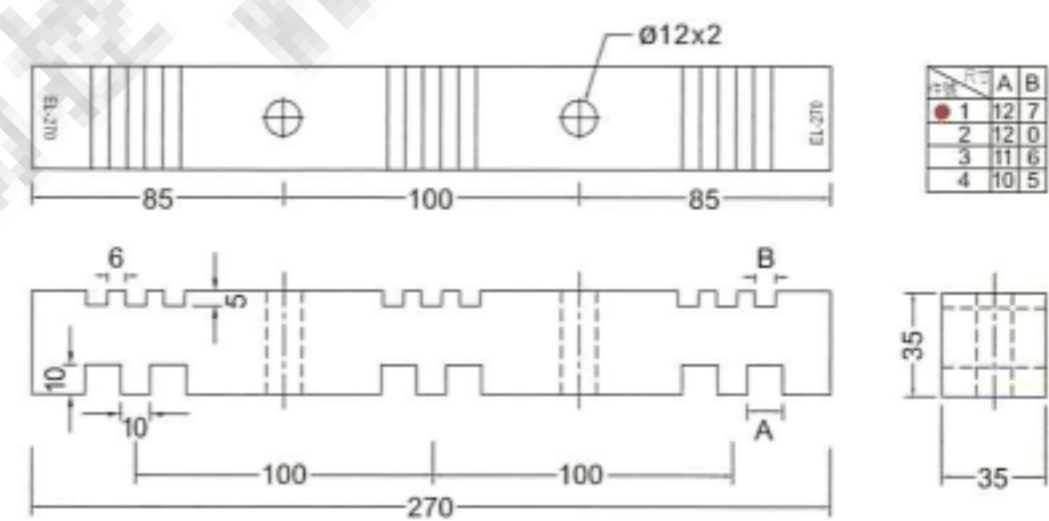
EL-155



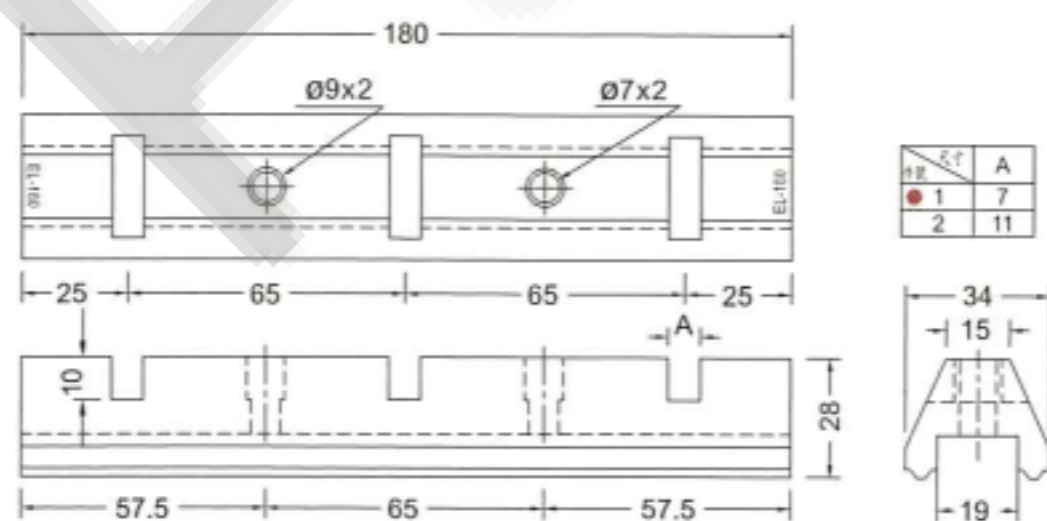
EL-170



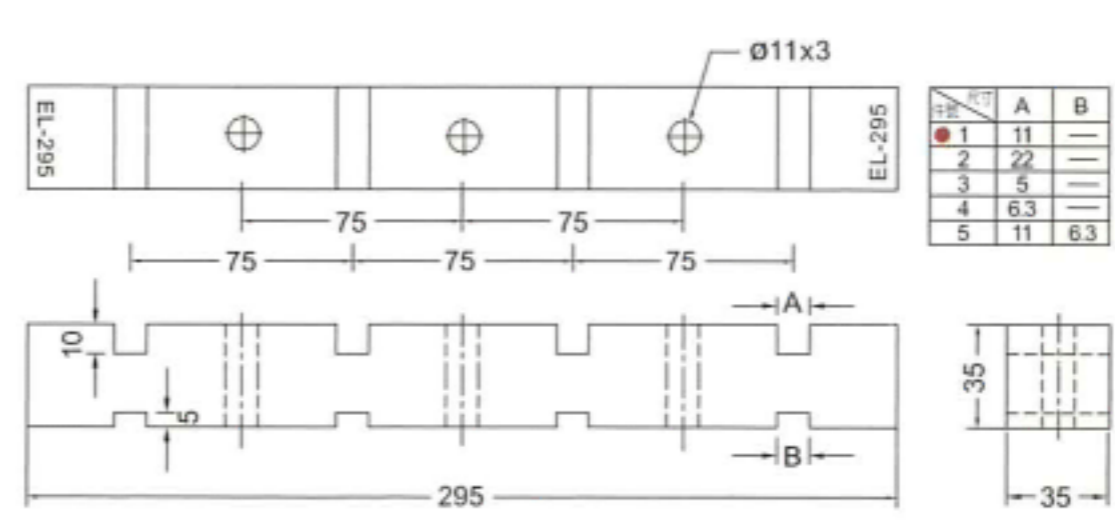
EL-270



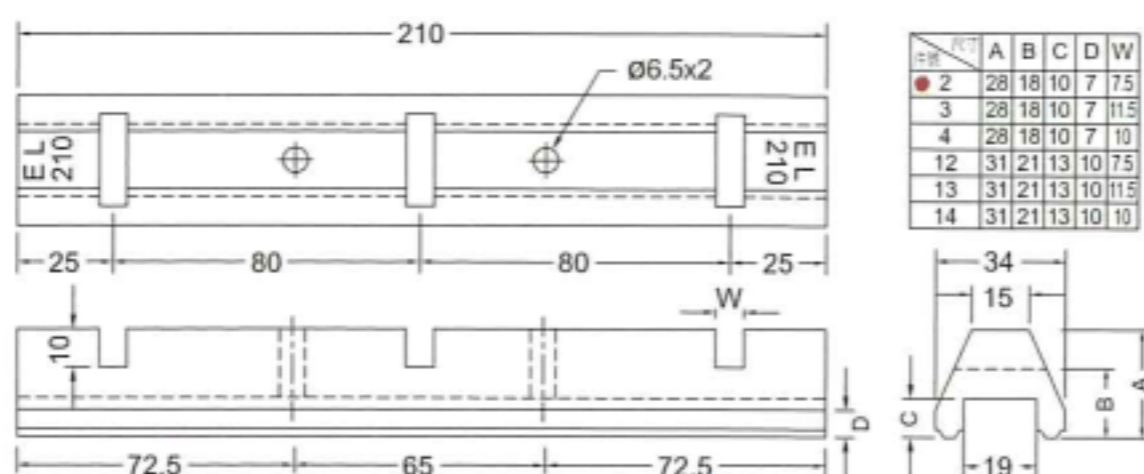
EL-180



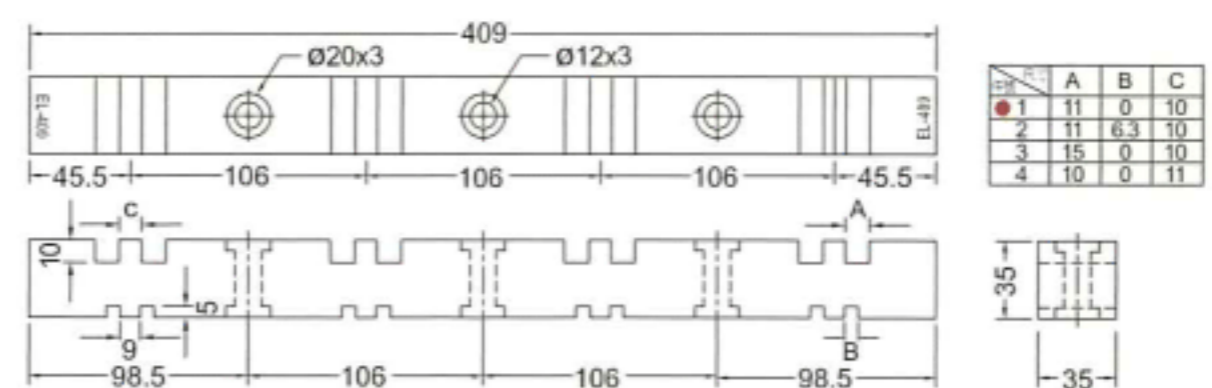
EL-295



EL-210

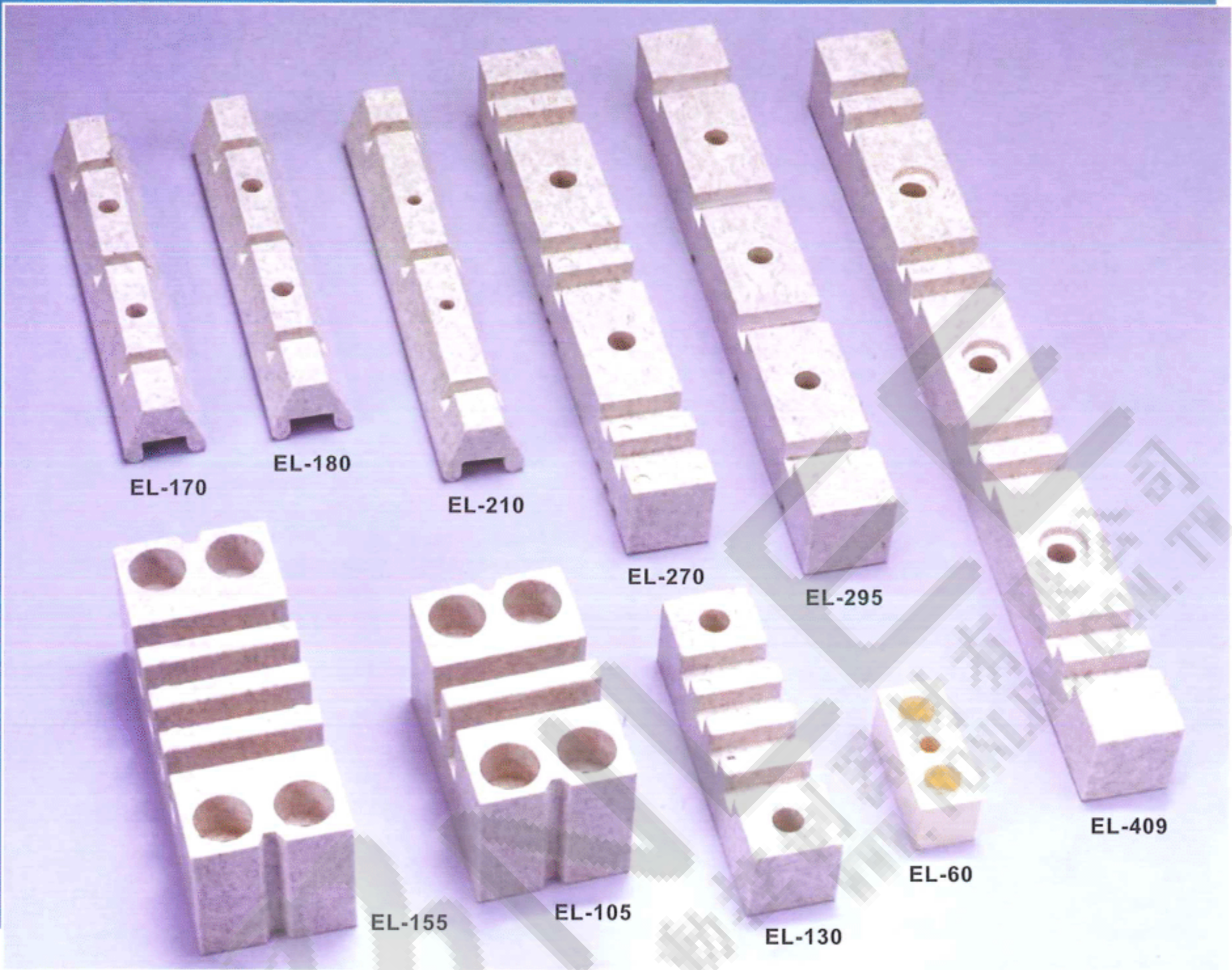


EL-409

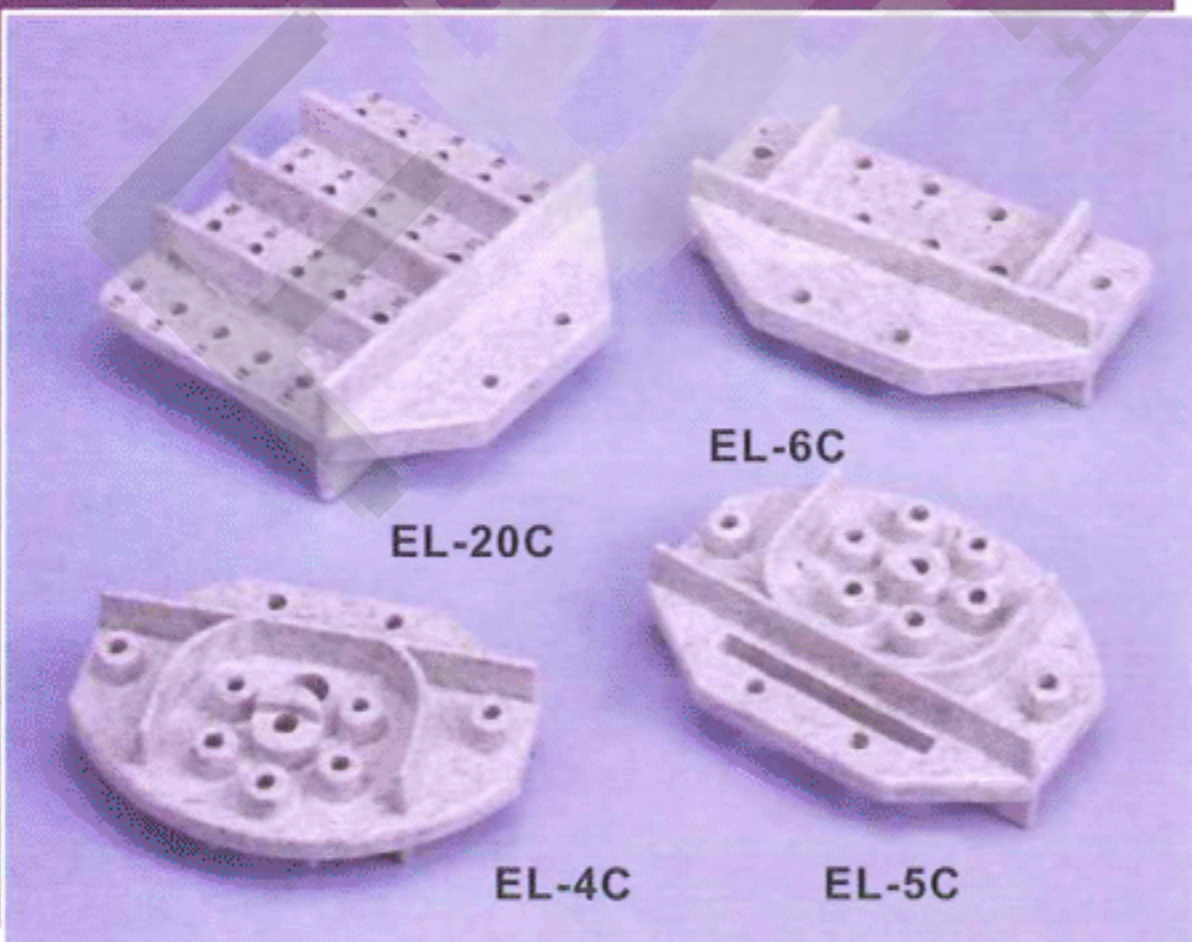


● 表示一般標準市販品 This product is being generally sold on the market.

BUSBAR SUPPORT 銅排夾



TAP CHANGE 切换器



BUSBAR CLAMP L型銅排夾具, 檔片及電纜線夾

