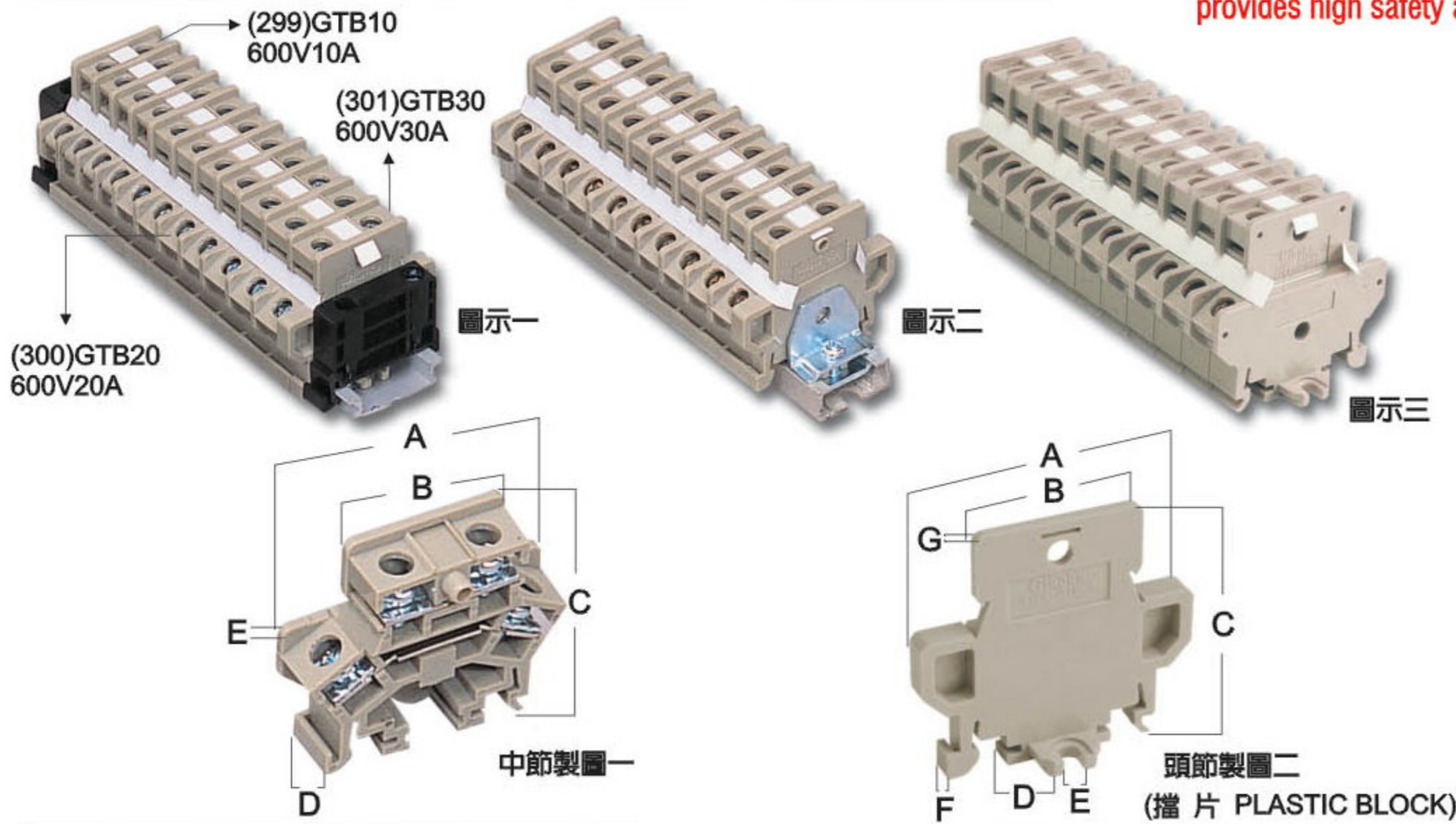


GTB DOUBLE LAYERS ASSEMBLY TERMINAL BLOCK

GTB 雙軌道卡式雙層端子盤 (使用如圖示三種)

- 雙層端子盤系列榮獲專利產品，創高安全及高級美觀設計
- Double Layers Assembly Terminal Blocks series has patent and CE designer. provides high safety and aesthetic designed.



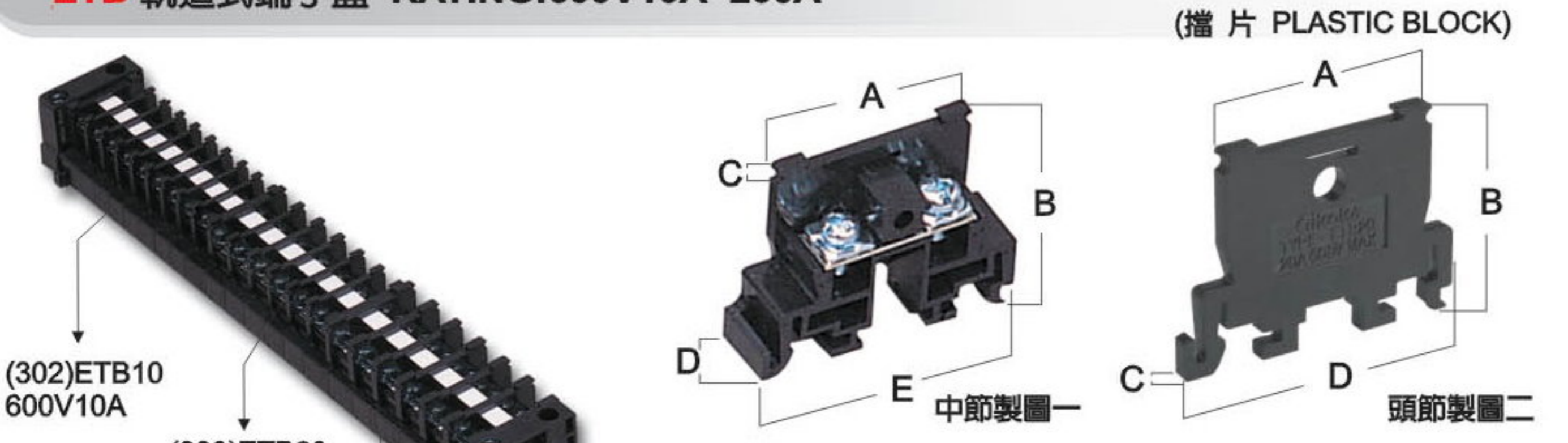
TYPE	GTB10	GTB20	GTB30	GTB-A
SIZE	600V 10A	600V 20A	600V 30A	擋片 PLASTIC BLOCK
A	53	53	53	53
B	32	32	32	32
C	48.3	48.3	48.3	48
D	9.5	10.7	12.3	7
E	2	2	2	4
F				5.8
G				2.5
SCREW	3.5x7x6.6	3.5x7x8	4x7x9.8	

· P數尺寸直接使用 + 9 = 固定中心孔

P(Q'TY)	2	3	4	5	6	7	8	9	裝量 Q'TY
GTB10	24.8	34.3	43.8	53.3	62.8	72.3	81.8	91.3	150
GTB20	27.2	37.9	48.6	59.3	70	80.7	91.4	102.1	150
GTB30	30.4	42.7	55	67.3	79.6	91.9	104.2	116.5	150

ETB RAIL MOUNT TERMINAL BLOCK

ETB 軌道式端子盤 RATING:600V10A~200A

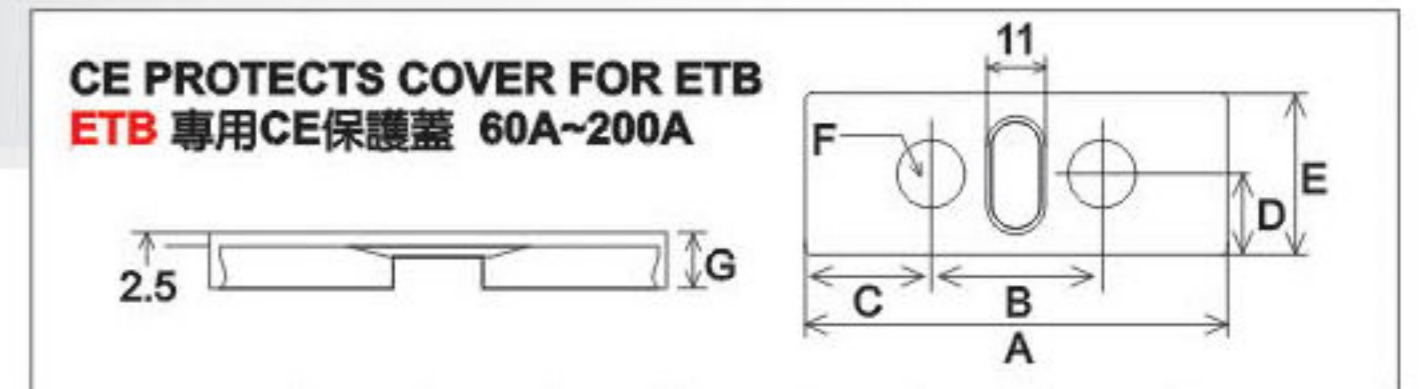
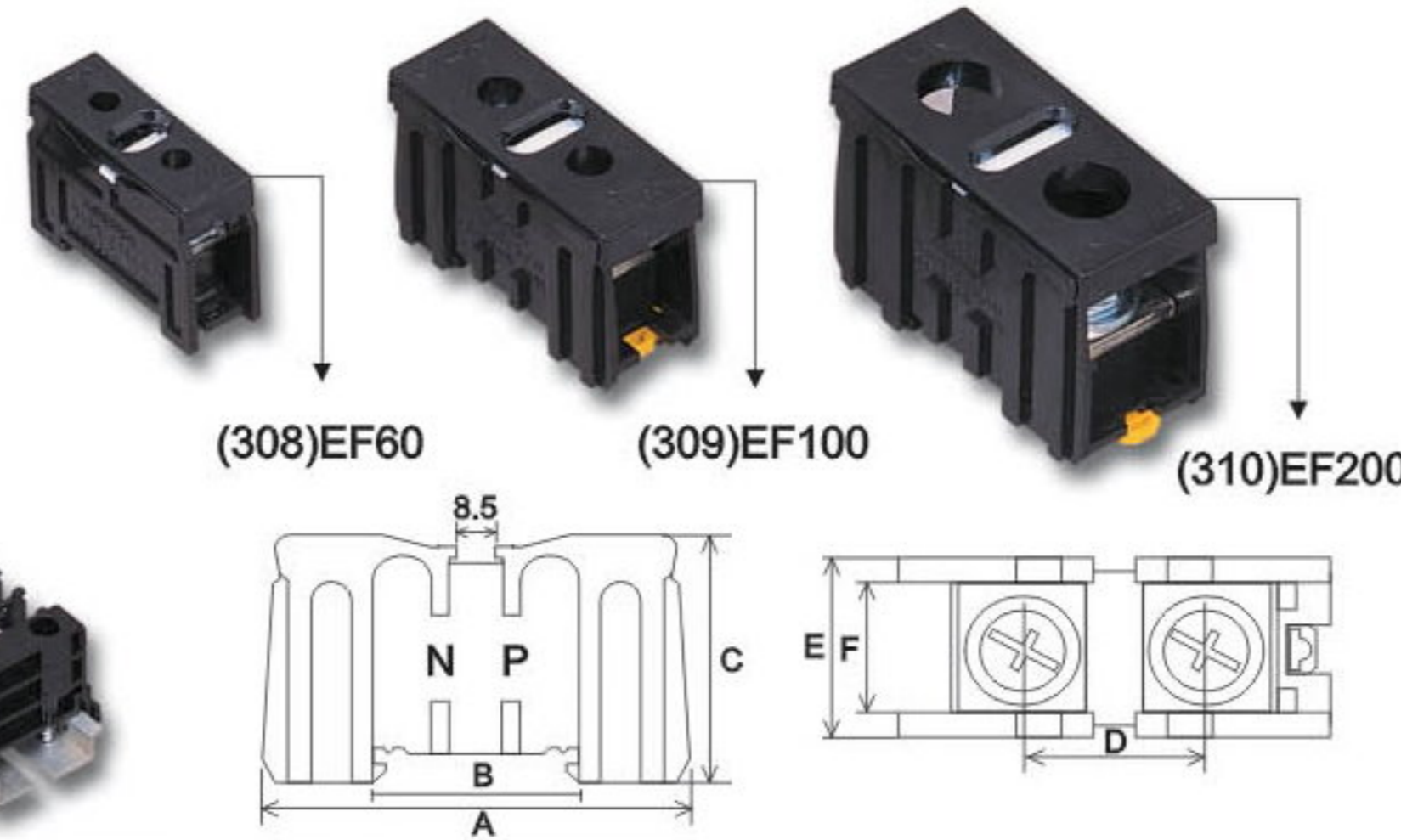


TYPE	ETB10	ETB20	ETB30	ETB10C	ETB20C	ETB30C
SIZE	600V 10A	600V 20A	600V 30A	擋片 PLASTIC BLOCK	擋片 PLASTIC BLOCK	擋片 PLASTIC BLOCK
A	29.2	31.7	36	29.2	31.7	36
B	30.5	30.5	30.5	30.5	30.5	30.5
C	2	2.3	3	3	2.7	2.6
D	8.9	11.2	13	41.5	41.5	41.5
E	41.5	41.5	41.5			
SCREW	3.5x7x6.6	3.5x7x8	4x7x9.8			

P(Q'TY)	2	3	4	5	6	7	8	9	10	裝量 Q'TY
ETB10	20.9	29.8	38.7	47.6	56.5	65.4	74.3	83.2	92.1	200
ETB20	24.7	35.9	47.1	58.3	69.5	80.7	91.9	103.1	114.3	200
ETB30	28.6	41.6	54.6	67.6	80.6	93.6	106.6	119.6	132.6	200

CE PROTECT COVER FOR ETB

ETB 專用CE保護蓋 60A~200A

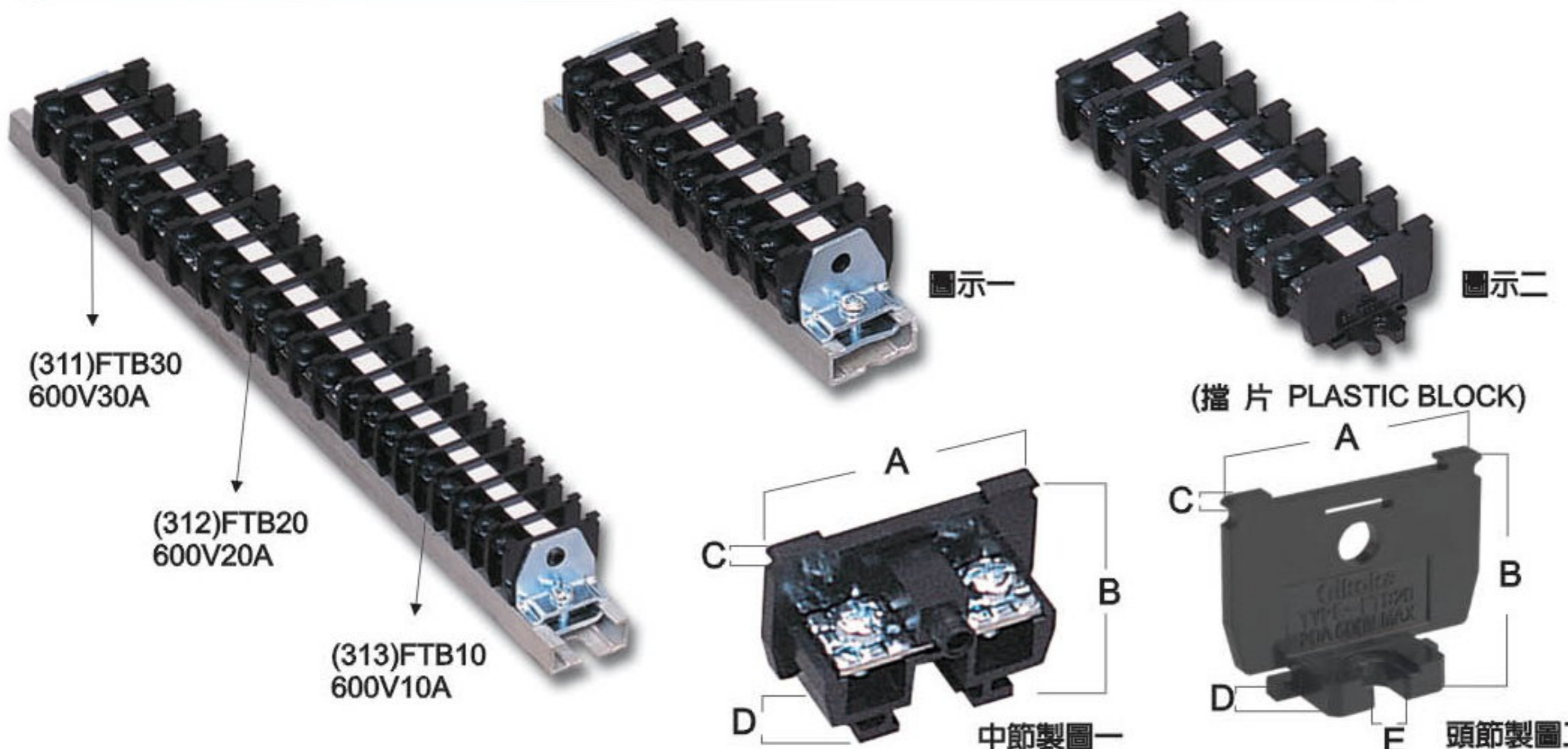


SIZE	A	B	C	D	E	F	G	裝量 Q'TY
TYPE EF60	55.5	25	15	9.5	19	7	8.5	150
EF100	73.5	30	21.5	14.2	28.4	10.3	9.5	62
EF200	86	43	21.3	19	38	18.6	9.5	30

SIZE	A	B	C	D	E	F	螺絲 SCREW	裝量 Q'TY
TYPE ETB60	56	35	38	25	19.8	14.8	6x12	150
ETB100	74	35	43	30	29	20.8	8x16	62
ETB200	86	35	54	43	38.5	30.3	10x20	30

FTB CASSETTE ASSEMBLY TERMINAL BLOCK

FTB 卡式連接端子盤 (使用如圖示二種)



TYPE	FTB10	FTB20	FTB30	FTB10C	FTB20C	FTB30C
SIZE	600V 10A	600V 20A	600V 30A	擋片 PLASTIC BLOCK	擋片 PLASTIC BLOCK	擋片 PLASTIC BLOCK
A	29.2	31.7	36	29.2	31.7	36
B	24.4	24.4	24.4	24.4	24.4	24.4
C	1.9	2.3	2.9	1.9	2.3	2.9
D	8.9	11.2	13.2	7	7	7
E				4	4	4
SCREW	3.5x7x6.6	3.5x7x8	4x7x9.8			

· P數尺寸直接使用 + 9 = 固定中心孔

P(Q'TY)	2	3	4	5	6	7	8	9	10	裝量 Q'TY
FTB10	19.7	28.6	37.5	46.4	55.3	64.2	73.1	82	90.9	200
FTB20	24.7	35.9	47.1	58.3	69.5	80.7	91.9	103.1	114.3	200
FTB30	29.3	42.5	55.7	68.9	82.1	95.3	108.5	121.7	134.9	200

FTB CASSETTE ASSEMBLY TERMINAL BLOCK FTB 雙軌道卡式連接端子盤 RATING:600V60A~400A

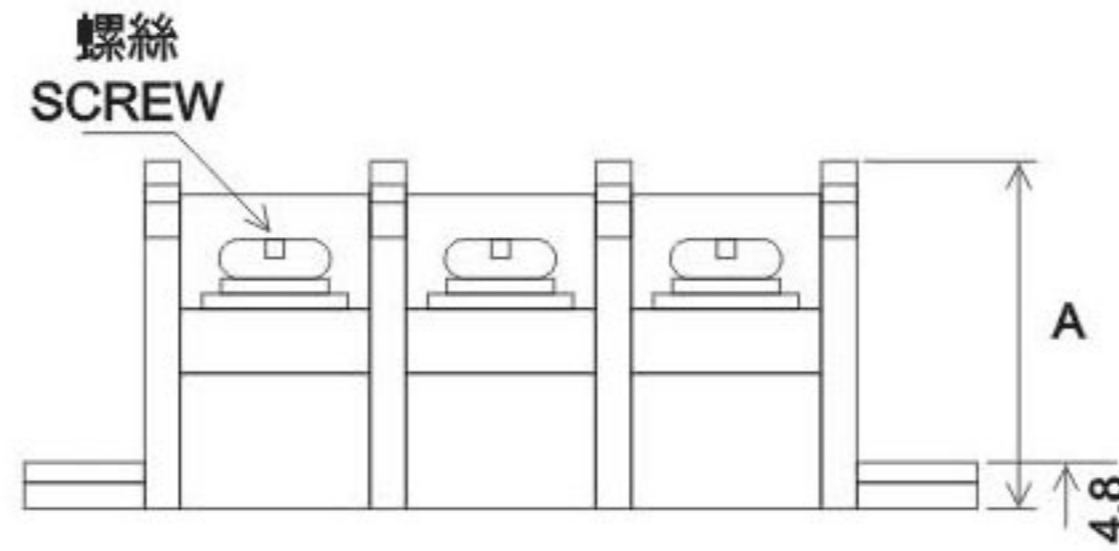
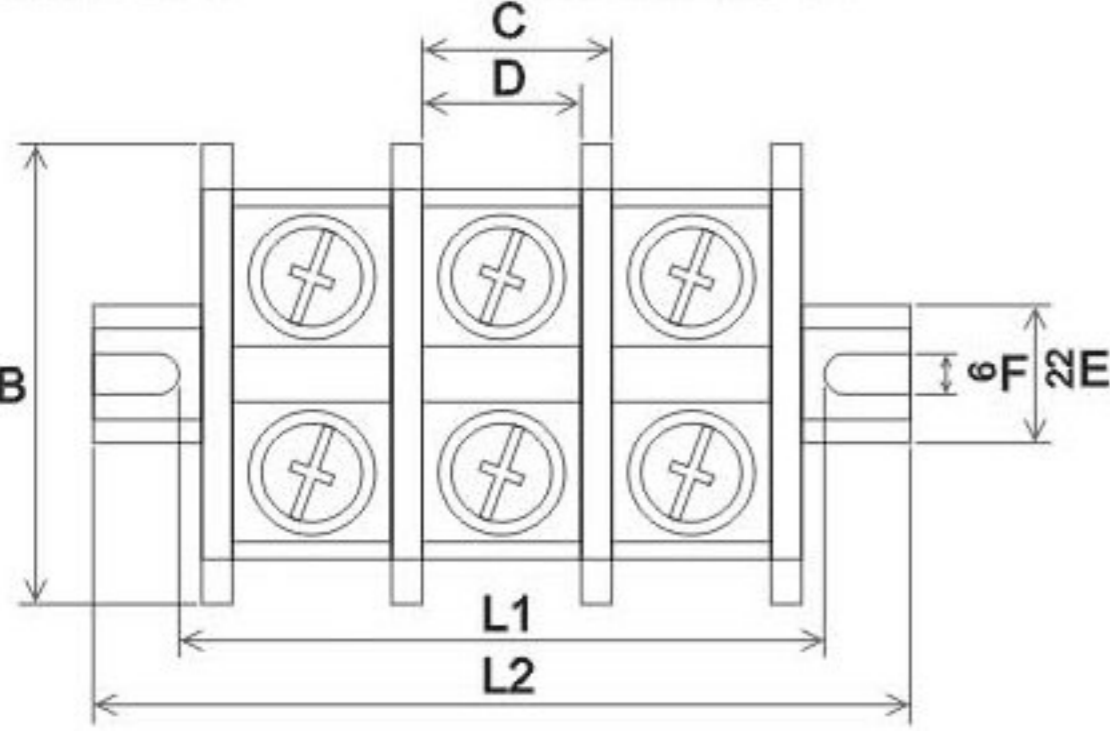


圖示一 圖示二 圖示三

(使用如圖示三種)

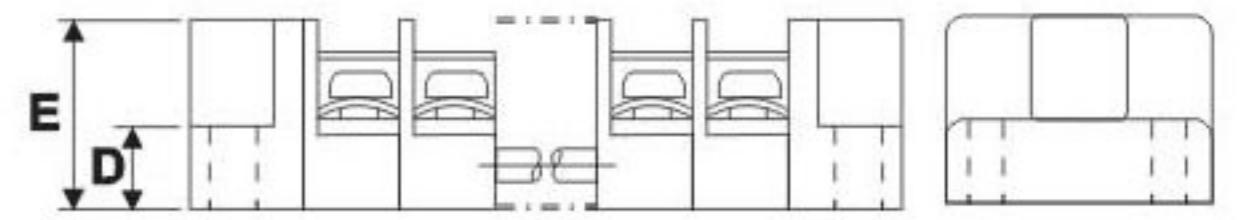
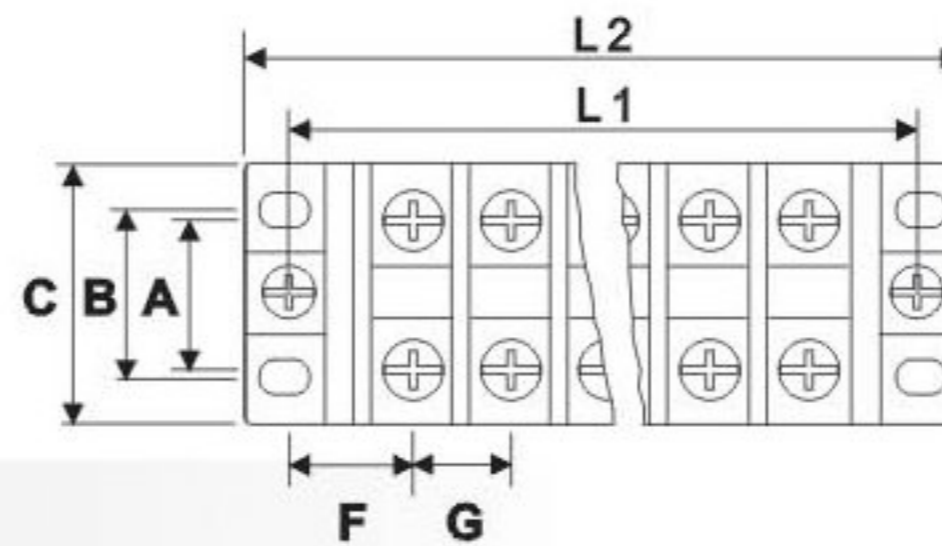


TYPE \ SIZE	P 數	2P	3P	4P	5P	6P	螺絲 SCREW
FTB60	L1	50.7	71.2	91.7	112.2	132.7	6x12
	L2	74.7	95.2	115.7	136.2	156.7	
FTB100	L1	64.2	91.2	118.2	145.2	172.2	8x16
	L2	88.2	115.2	142.2	169.2	196.2	
FTB150	L1	71	101.2	131.4	161.6	191.8	8x16
	L2	95	125.2	155.4	185.6	215.8	
FTB200	L1	82	117.7	153.4	189.1	224.8	10x20
	L2	106	141.7	177.4	213.1	248.8	
FTB300	L1	91	131	171	211	251	10x20
	L2	115	155	195	235	275	
FTB400	L1	111	161	211	261	311	10x20
	L2	135	185	235	285	335	

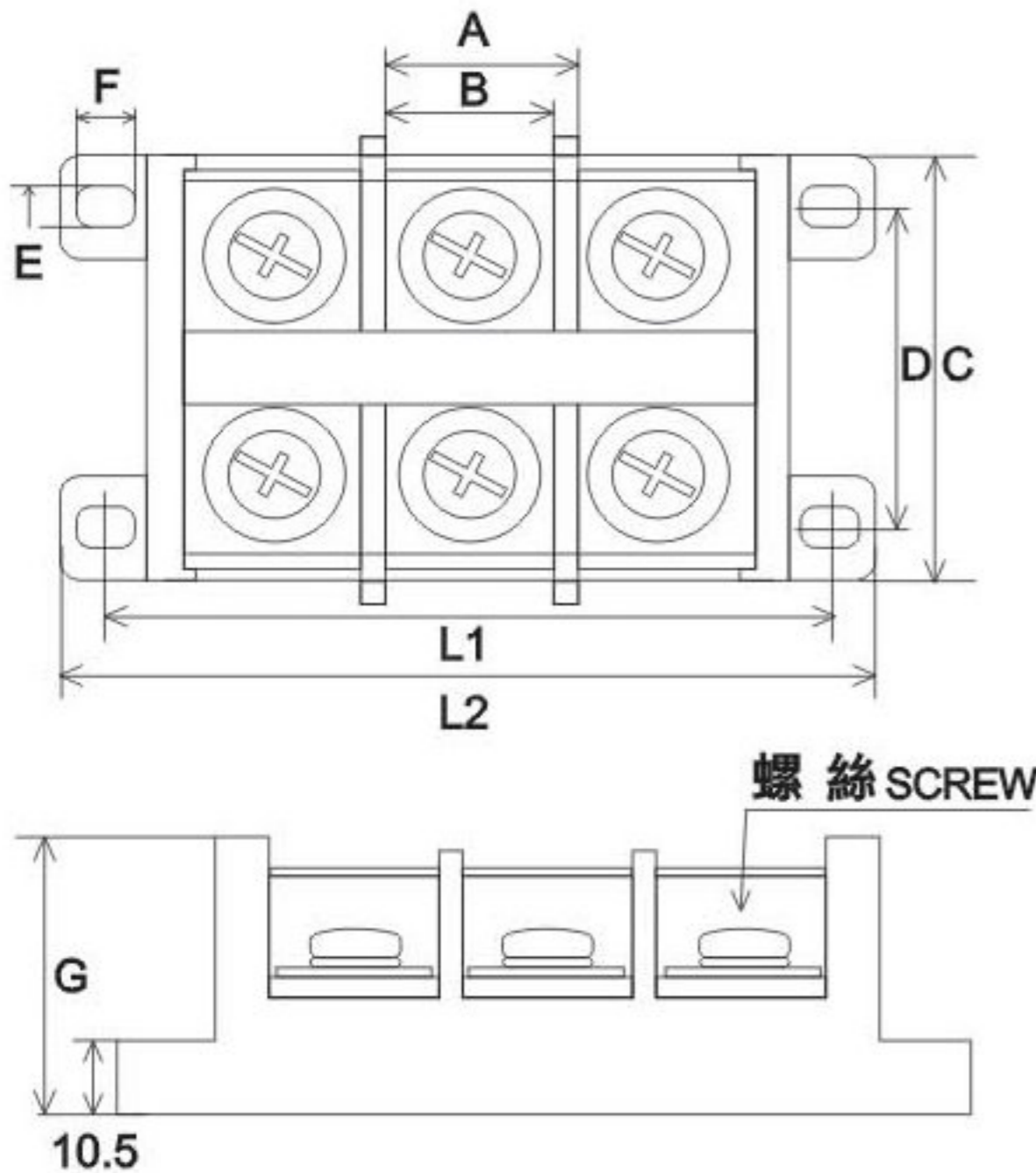


TYPE \ SIZE	A	B	C	D	E	F	PLASTIC BLOCK	裝量 Q'TY
FTB60	38.5	50.2	20.5	17	22	6	32	96
FTB100	41	64.2	27	23	22	6	18	54
FTB150	42.5	70.1	30.2	26	22	6	16	48
FTB200	47.2	80.2	35.7	31.1	22	6	10	30
FTB300	50.3	106	40	35	22	6	6	18
FTB400	50.5	106	50	44.8	22	6	6	18

TB JOINT TYPE TERMINAL BLOCK TB 連接式端子盤 RATING:600V10A~30A (2P~30P)

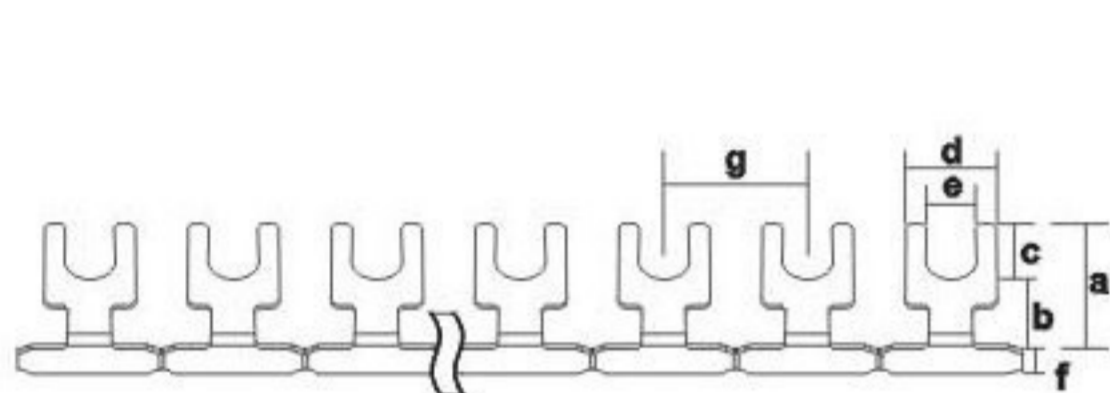


TB FIXED TERMINAL BLOCK TB 固定式端子盤 RATING:600V60A~400A



TYPE \ SIZE	A	B	C	D	E	F	G	P 數	2P	3P	4P	5P	6P	螺絲 SCREW
TB10	15	19.8	29	9.8	26.8	14.6	8.9	L1	36.3	45.2	54.1	63	71.9	3.5x7
								L2	46.6	55.5	64.1	73.3	82.2	
TB20	15	19.8	31.5	9.9	26.8	15.9	11.1	L1	40.6	51.7	62.8	73.9	85	3.5x7
								L2	50.9	62	73.1	84.2	95.3	
TB30	18.9	24.8	36	11.7	26.8	18.5	13.2	L1	47.8	61	74.2	87.4	100.6	4x7
								L2	59	72.2	85.4	98.6	111.8	
TB60	18	15.2	48	30	6.7	8.7	31.5	L1	60.7	78.7	96.7	114.7	132.7	6x12
								L2	75.6	93.6	111.6	129.6	147.6	
TB100	22.9	19.9	60.2	42	6.7	8.7	37	L1	70.6	93.5	116.4	139.6	162.2	8x16
								L2	86	108.9	131.8	154.7	177.6	
TB150	28.3	24.8	70.5	51.5	6.7	8.7	41	L1	81.2	109.5	137.8	166.1	194.4	8x16
								L2	96.9	125.2	153.5	181.1	210.1	
TB200	36.3	31.8	81.3	62	6.7	8.7	47.5	L1	X	131.5	167.8	X	X	10x20
								L2	X	147	183.3	X	X	
TB300	41.7	36.9	107	59	6.1	10	58.7	L1	X	156	197.7	X	X	10x20
								L2	X	176	217.7	X	X	
TB400	51.5	46.7	107	59.5	6.1	10	58.7	L1	X	186	237.7	X	X	10x20
								L2	X	205	256.5	X	X	

SHORT-CIRCUIT TERMINAL 短路端子

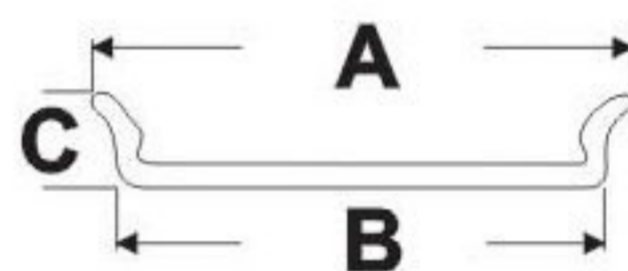


SIZE TYPE	a	b	c	d	e	f	g	P	裝量 Q'TY
TB-A10	11	6.5	4.4	6.2	4	4	8.8	12P	200
TB-A20	12.2	6.2	6	7.1	4	4	11.2	12P	200
TB-A30	14.3	7.8	6.3	8.5	4.5	4	13.1	12P	200
MY-B	9.6	4.6	4.9	5.5	3.7	3	7	4P	500

本產品請對照尺寸採購

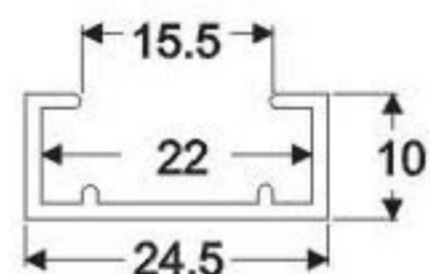
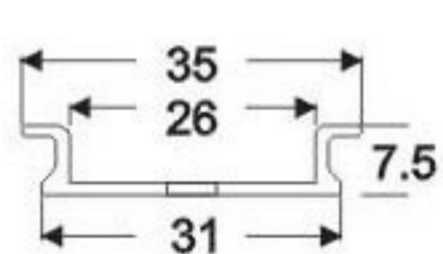
銅厚度 0.5mm

TERMINAL BLOCK PROTECT COVER ㄇ型防塵蓋



SIZE TYPE	EF10	EF20	EF30
A	32.5	38	42
B	31	34	38.5
C	6	6.5	7

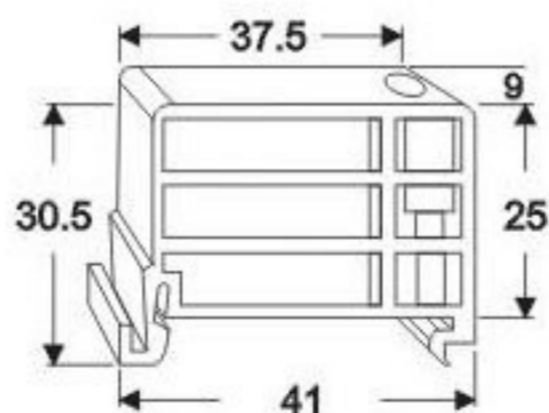
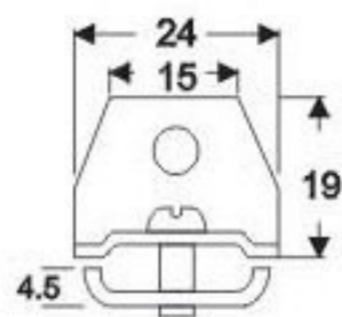
ALUMINUM RAIL 軌道



(336)PF-A1

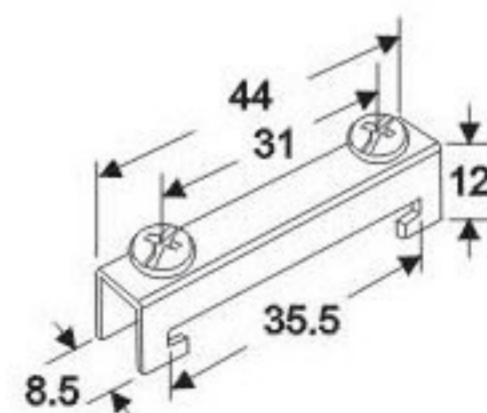
(337)FTB-A

RAIL FIXED BLOCK 軌道固定擋片



(338)FTB-B

(339)PF-B



(340)PF-C

PRINTED TAPE 印字膠帶

- 200米長印字空白膠帶
適用 **Gikoka** 端子盤，
10A、20A、30A 全系列均共用。



(341)TB-B