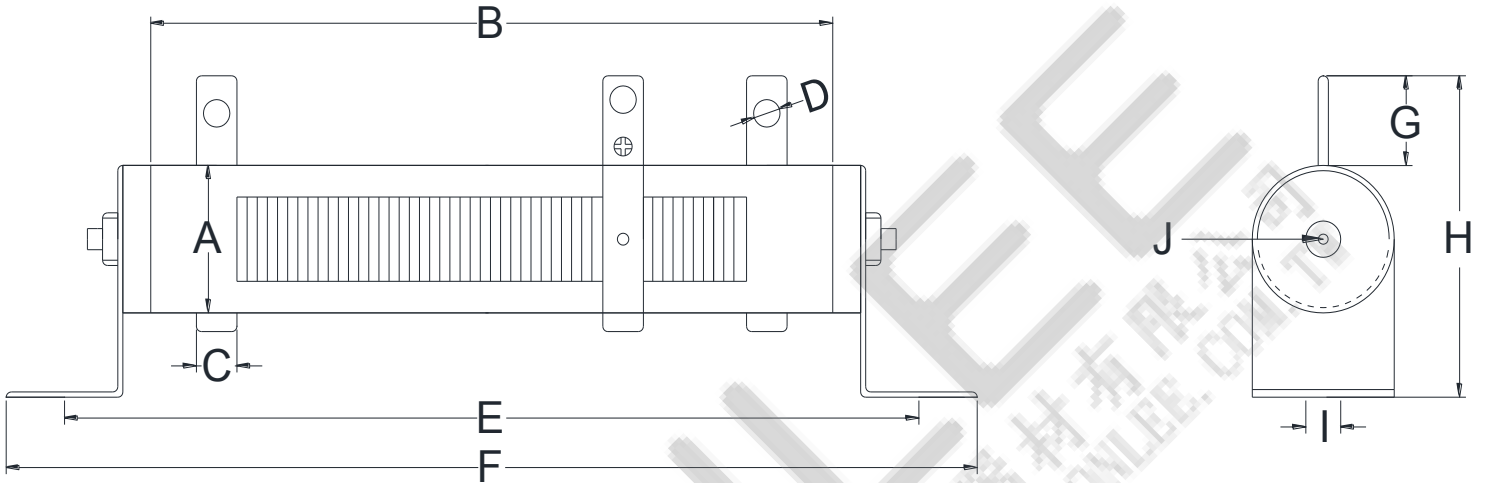


Features

- These resistors are made by winding resistance ribbon around a ceramic tube in wave shape, externally coated with non flame paint.
- They are extremely good in dissipation of heat, small in size, able to take large load.
- Fit for use on heavy electric machines and production machines.



Dimensions

POWER RATING	Dimensions 寸法(mm)										RESISTANCE RANGE Ω
	A	B	C	DØ	E	F	G	H	I	J	
50W	25	110	8	5	140	164	18	58	6	單 M5X135	0.1Ω~15KΩ
60W	28	90	8	5	120	144	18	60	6	單 M5X115	0.1Ω~20KΩ
80W	28	110	8	5	140	164	18	60	6	單 M5X135	0.1Ω~25KΩ
100W	28	140	8	5	170	194	18	60	6	單 M5X165	0.1Ω~30KΩ
120W	28	160	8	5	195	215	18	60	6	單 M5X195	0.1Ω~35KΩ
150W	28	195	8	5	225	244	18	60	6	雙 M5X220	0.1Ω~40KΩ
160W	35	185	8	5	222	248	18	75	9	單 M5X210	0.1Ω~45KΩ
200W	35	210	8	5	247	268	18	75	9	雙 M5X235	0.1Ω~50KΩ
250W	40	210	10	5	250	277	22	77	9	雙 M5X235	0.1Ω~60KΩ
300W	40	260	10	5	300	327	22	77	9	雙 M5X295	0.1Ω~70KΩ
350W	40	300	10	5	340	367	22	77	9	雙 M5X300	0.1Ω~75KΩ
400W	40	330	10	5	370	400	22	77	10	雙 M5X365	0.1Ω~80KΩ
500W	50	330	12	6	370	400	22	105	10	雙 M5X365	0.5Ω~100KΩ
600W	50	400	12	6	440	470	22	105	10	雙 M5X440	0.5Ω~110KΩ

Specifications given herein may be changed at any time without prior notice. Please confirm technical specifications before you order or use.



Dimensions

POWER RATING	Dimensions 寸法(mm)										RESISTANCE RANGE Ω
	A	B	C	DØ	E	F	G	H	I	J	
700W	50	460	12	6	500	530	22	105	10	雙 M5X495	0.5Ω~110KΩ
800W	60	460	15	6	505	535	30	112	10	雙 M5X495	0.5Ω~120KΩ
1000W	60	540	15	6	580	610	30	112	10	雙 M6X590	0.5Ω~130KΩ
1200W	65	540	15	6	580	610	30	112	10	雙 M6X590	0.5Ω~140KΩ
1300W	65	650	15	6	690	720	30	115	10	雙 M6X690	0.5Ω~150KΩ

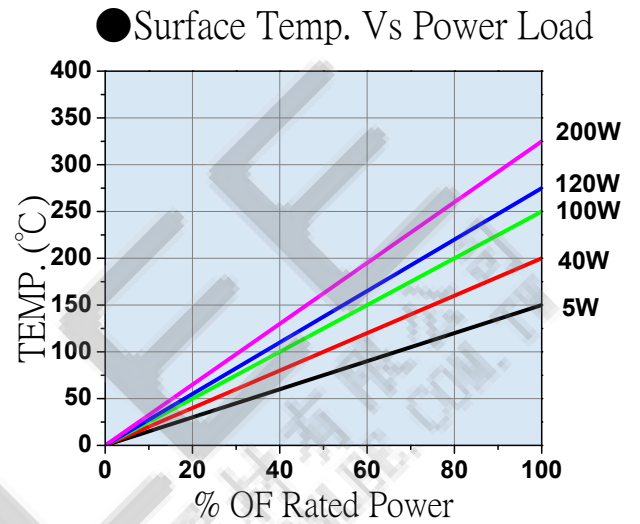
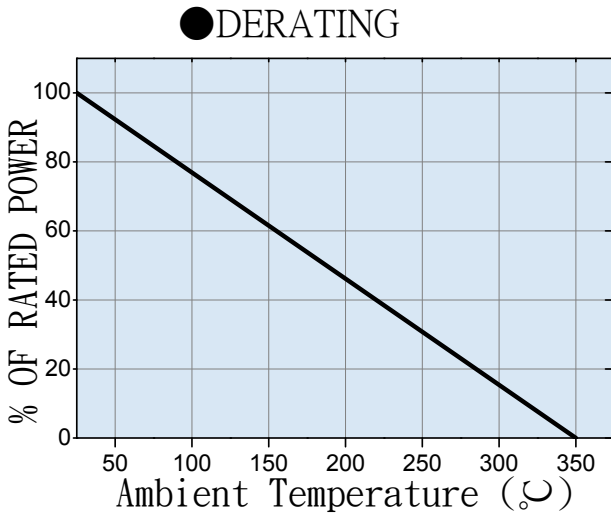
Electrical characteristics

Characteristics	Limits
Resistance and resistance tolerance	Range Resistance tolerance ±5%(J)
Temperature coefficient	FCHR-2 0.14X1.2m/m 1000~1200ppm/°C max (according to the material)
Power rating load	△ R/R ≤±(1% + 0.05Ω) temperature 350°C max
Short-time overload	△ R/R ≤±(2% + 0.05Ω)
Insulation resistance	DC500V 100MΩ min
Dielectric withstanding voltage	AC2500V 1.5MA 1 minute

Specifications given herein may be changed at any time without prior notice. Please confirm technical specifications before you order or use.



Power Derating Curve



Ordering information

VDR	10W	5K	J
Type	Power rating	Resistance	Tolerance
VDR Type	10W 20W	1Ω 10Ω	G± 2% J± 5%

Specifications given herein may be changed at any time without prior notice. Please confirm technical specifications before you order or use.