

Time and light control

Analogue time switching modules, Switching segments



SUL 184 FM WM

Description

Common functions

- Analogue time switching modules
- 1 channel
- Daily program
- 96 switching segments
- Shortest switching time: 15 minutes
- Clock hands for time display
- Switching preselection
- Permanent ON/OFF switch
- Switching status display
- Simple summer/winter time correction

SUL 184 FM WM

- For wall mounting
- With power reserve
- Quartz controlled

Product selection

Program	Number of channels	Shortest switching times	Type of contact	Product type	Power reserve	Operating voltage	Type	Article number
Daily program	1	15 min	Changeover contact		3 days	110–230 V AC	SUL 184 FM WM	1840200

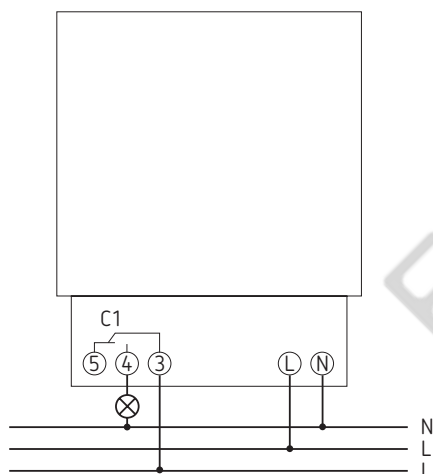
Time and light control

Analogue time switching modules, Switching segments

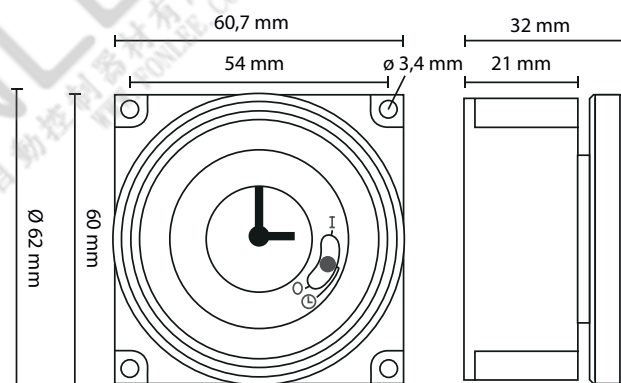
Technical data

	SYN 164 FM	SUL 184 FM	SYN 164 FM WM	SUL 184 FMWM	SYN 164 FME	SUL 184 FME
Operating voltage	230 V AC	110–230 V AC	230 V AC	110–230 V AC	230 V AC	110–230 V AC
Frequency	50 Hz	50–60 Hz	50 Hz	50–60 Hz	50 Hz	50–60 Hz
Installation type	Single unit		Wall mounting		Built-in version	
Program	Daily program					
Power reserve	–	3 days	–	3 days	–	3 days
Switching capacity at 250 V AC, $\cos \varphi = 1$	16 A					
Switching capacity at 250 V AC, $\cos \varphi = 0,6$	8 A					
Shortest switching times	15 min					
Programmable every	15 min					
Time accuracy at 25 °C	Synchronised with mains	$\leq \pm 1,5$ s/day (quartz)	Synchronised with mains	$\leq \pm 1,5$ s/day (quartz)	Synchronised with mains	$\leq \pm 1,5$ s/day (quartz)
Stand-by consumption	0,9 W	0,6 W	0,9 W	0,6 W	0,9 W	0,6 W
Type of protection	IP 20					
Protection class	II according to EN 60 730-1					
Ambient temperature	–20 °C ... +55 °C					

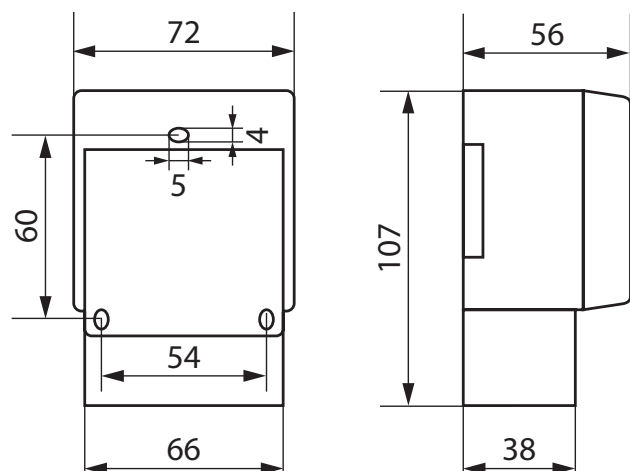
Connection diagram



Scale drawings (SYN 164 FM/SUL 184 FM)



Scale drawings (SYN 164 FM WM/SUL 184 FM WM)



Scale drawings (SYN 164 FME/SUL 184 FME)

