

SOLON

Since 1992

MICRO SWITCH 微動開關

AM series



ISO 9001:2015

Made In Taiwan



使用壽命1000萬次以上
多款致動方式選擇

符合 IP-64 防護
符合 IEC AC-15, EN 60947-5-1



SOLON Enterprise Co., Ltd.
洋健企業股份有限公司
www.solon.com.tw

Micro Switch 微動開關

Feature 特色

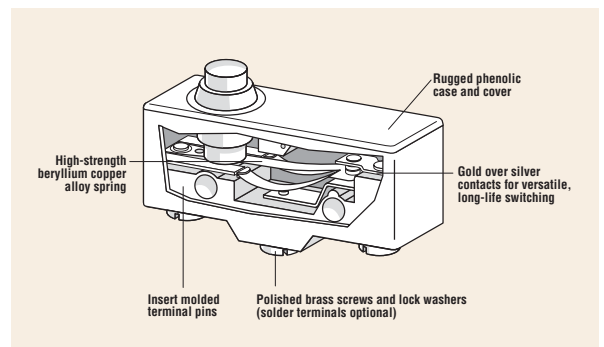
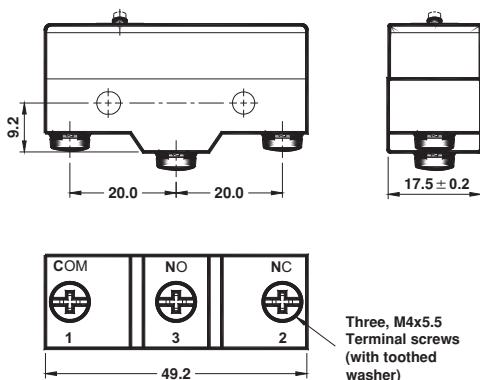
1. Compact design fits tight spaces; popular 1-inch center side mount.
節省空間之出色設計，符合1英寸之通用裝配尺寸
2. More than fifteen available actuator types.
超過15種不同的致動方式
3. IP 00 or IP 62 Protection
防護等級 IP 00 或 IP 62.
4. Output contact (1 Form C) rating: 額定輸出規格
15 Amps@250Vac, 0.5 Amps@125Vdc
5. Standard screw M4 connect terminals with optional rubber cover.
標準M4端子螺絲及可選用橡膠保護蓋



Specifications: 規格

1. Contact type 接點型式: 1 Form C
2. Contact resistance 接觸電阻(Initial 初始): 20mΩ max.
3. Insulating resistance 絕緣電阻(Initial 初始): 100MΩ @500VDC
4. Dielectric strength 耐電壓:
 - between non-continuous terminals 非同極端子間: 1,000VAC/1minute, 50/60Hz.
 - between current-carrying metal parts and ground,
and between each terminal and non-current-carrying parts
(導電部及接地間, 各端子及非導電部間): 2,000VAC/1 minute, 50/60Hz.
5. Vibration resistance 耐震(Malfunction 耐久): 55Hz max. @1.5mm, double amplitude.
6. Shock resistance 耐衝擊(Malfunction 耐久): 98m/s @10G max.
(Destruction 失效): 294m/s@30G max.
7. Ambient temperature 適用環境溫度: -20°C to +60°C @ RH 90% max. 20°C
8. Life expectancy 使用壽命:
 - Mechanical 機械性 - 10,000,000 operations min. (50 cpm)
 - Electrical 電氣性 - 200,000 operations min. (20 cpm)
9. Operating frequency 動作頻率: 120 operations/minute. 次/分

Operating characteristics 動作特性



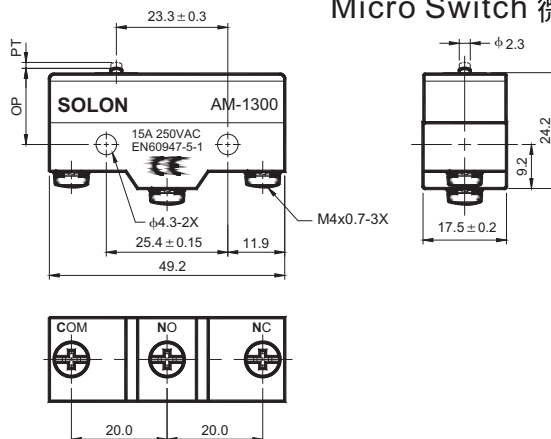
Order Information:

AM - □ □ □ □

Micro Switch 微動開關

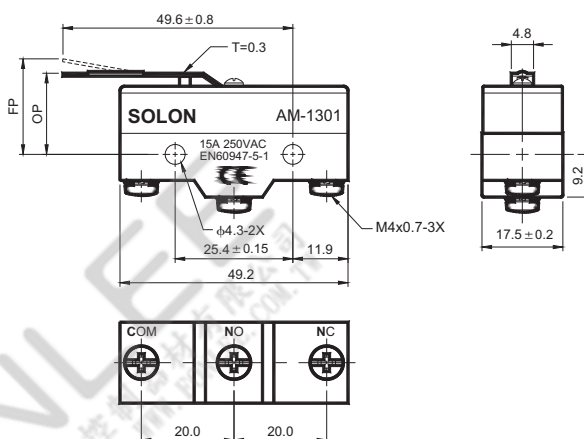
Dimensions:

AM-1300



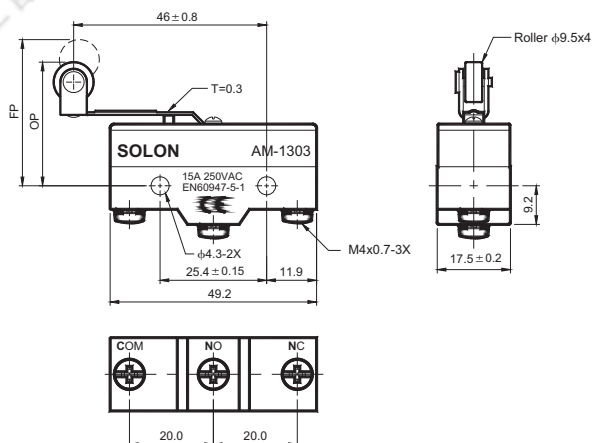
O.F. N(gf) max.	R.F. N(gf) min.	P.T. mm max.	M.D. mm max.	O.T. mm min.	O.P. mm
3.63(370)	1.12(114)	0.4	0.05	0.13	15.9 ± 0.4

AM-1301



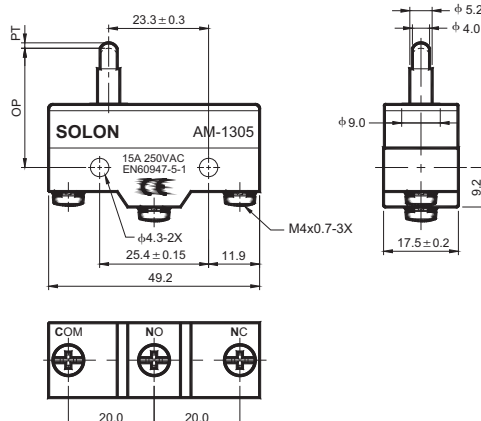
O.F. N(gf) max.	R.F. N(gf) min.	P.T. mm max.	M.D. mm max.	O.T. mm min.	O.P. mm
1.47(150)	0.14(14)	4	1.3	1.6	17.5 ± 0.8

AM-1303



O.F. N(gf) max.	R.F. N(gf) min.	P.T. mm max.	M.D. mm max.	O.T. mm min.	O.P. mm
1.47(150)	0.14(14)	4	1.3	1.6	28.6 ± 0.8

AM-1305



O.F. N(gf) max.	R.F. N(gf) min.	P.T. mm max.	M.D. mm max.	O.T. mm min.	O.P. mm
3.63(370)	1.12(114)	0.4	0.05	1.5	28.2 ± 0.5

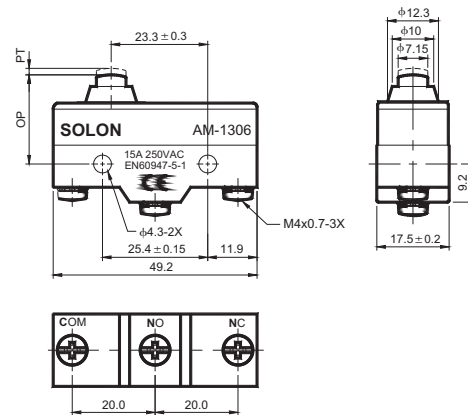
Dimensions:

Micro Switch 微動開關

AM-1306



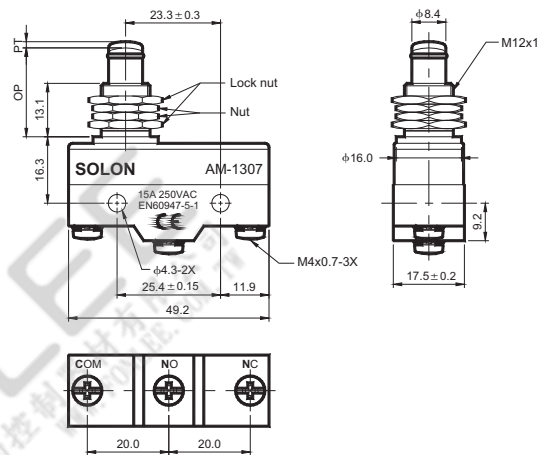
O.F. N(gf) max.	R.F. N(gf) min.	P.T. mm max.	M.D. mm max.	O.T. mm min.	O.P. mm
3.63(370)	1.12(114)	0.4	0.05	1.5	21.2±0.5



AM-1307



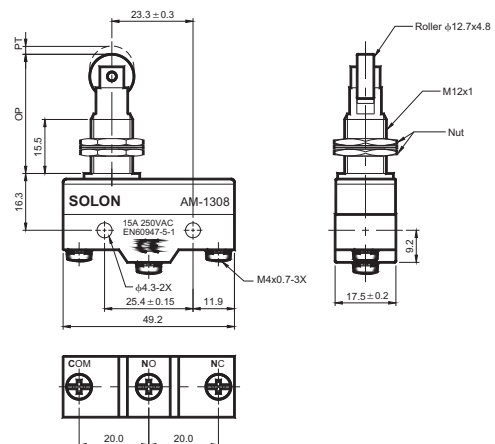
O.F. N(gf) max.	R.F. N(gf) min.	P.T. mm max.	M.D. mm max.	O.T. mm min.	O.P. mm
3.63(370)	1.12(114)	0.4	0.05	5.6	21.8±0.8



AM-1308



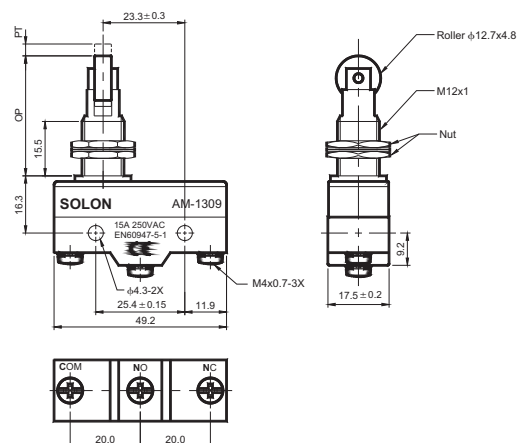
O.F. N(gf) max.	R.F. N(gf) min.	P.T. mm max.	M.D. mm max.	O.T. mm min.	O.P. mm
3.63(370)	1.12(114)	0.4	0.05	3.6	33.3±1.2



AM-1309



O.F. N(gf) max.	R.F. N(gf) min.	P.T. mm max.	M.D. mm max.	O.T. mm min.	O.P. mm
3.63(370)	1.12(114)	0.4	0.05	3.6	33.3±1.2



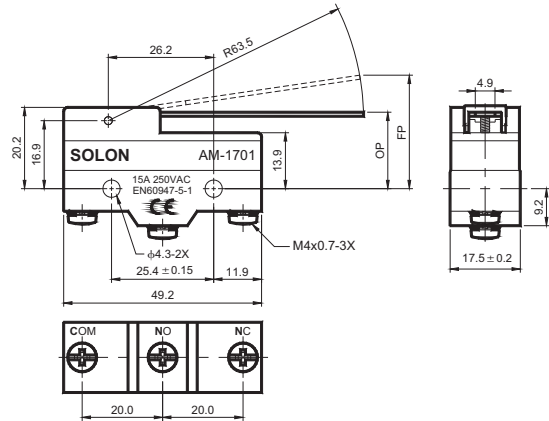
Dimensions:

Micro Switch 微動開關

AM-1701



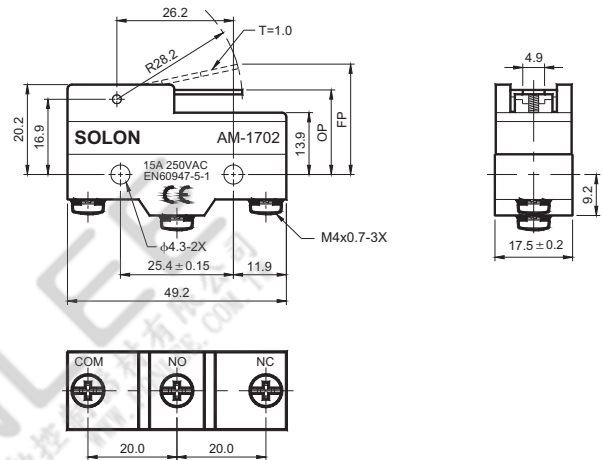
O.F. N(gf) max.	R.F. N(gf) min.	P.T. mm max.	M.D. mm max.	O.T. mm min.	O.P. mm
0.69(70)	0.14 (14)	10	1.3	5.6	19.1 ± 0.7



AM-1702



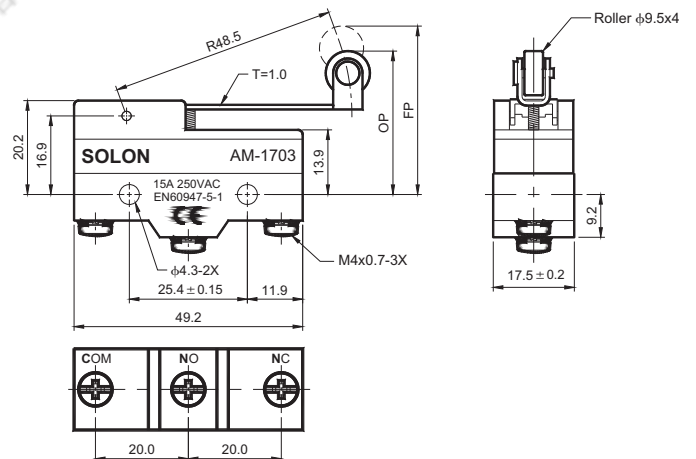
O.F. N(gf) max.	R.F. N(gf) min.	P.T. mm max.	M.D. mm max.	O.T. mm min.	O.P. mm
1.57(160)	0.27(28)	5.8	1	2	19 ± 0.8



AM-1703



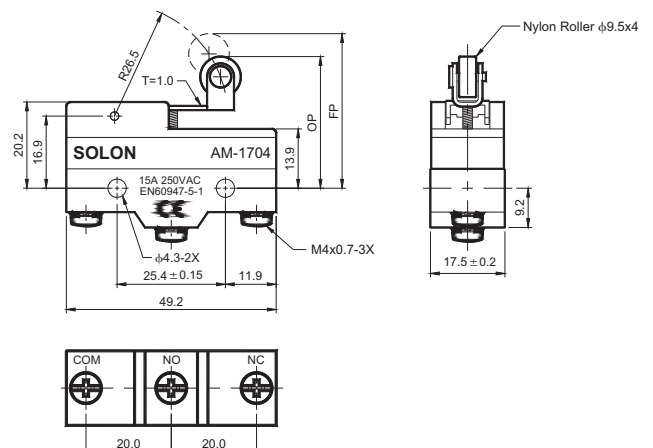
O.F. N(gf) max.	R.F. N(gf) min.	P.T. mm max.	M.D. mm max.	O.T. mm min.	O.P. mm
0.98(100)	0.2(20)	7.5	1.3	3.6	30.2 ± 0.7



AM-1704



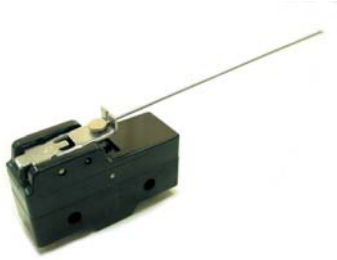
O.F. N(gf) max.	R.F. N(gf) min.	P.T. mm max.	M.D. mm max.	O.T. mm min.	O.P. mm
1.37(160)	0.42(43)	4.5	0.7	2.4	30.2 ± 0.4



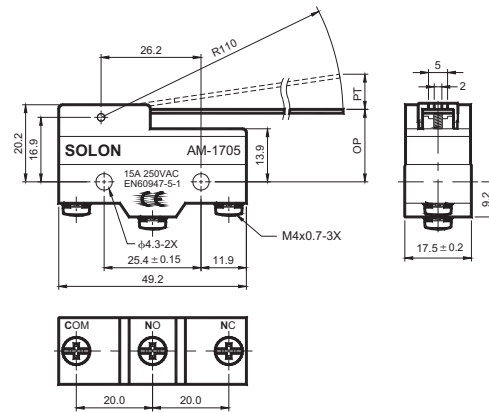
Dimensions:

Micro Switch 微動開關

AM-1705



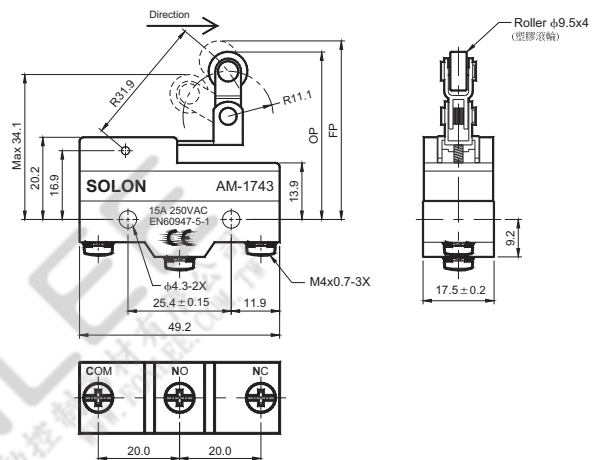
O.F. N(gf) max.	R.F. N(gf) min.	P.T. mm max.	M.D. mm max.	O.T. mm min.	O.P. mm
39.2(4)	2.94(0.3)	10	3	6	20 ± 1



AM-1743



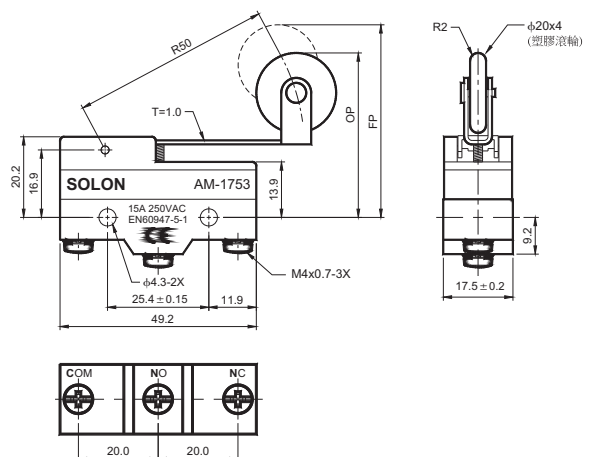
O.F. N(gf) max.	R.F. N(gf) min.	P.T. mm max.	M.D. mm max.	O.T. mm min.	O.P. mm
1.67(170)	0.42(43)	4.5	0.5	2.4	41.3 ± 0.4



AM-1753



O.F. N(gf) max.	R.F. N(gf) min.	P.T. mm max.	M.D. mm max.	O.T. mm min.	O.P. mm
0.98(100)	0.21(21)	2.3	1.6	4	41.3 ± 0.8



AP-Z

