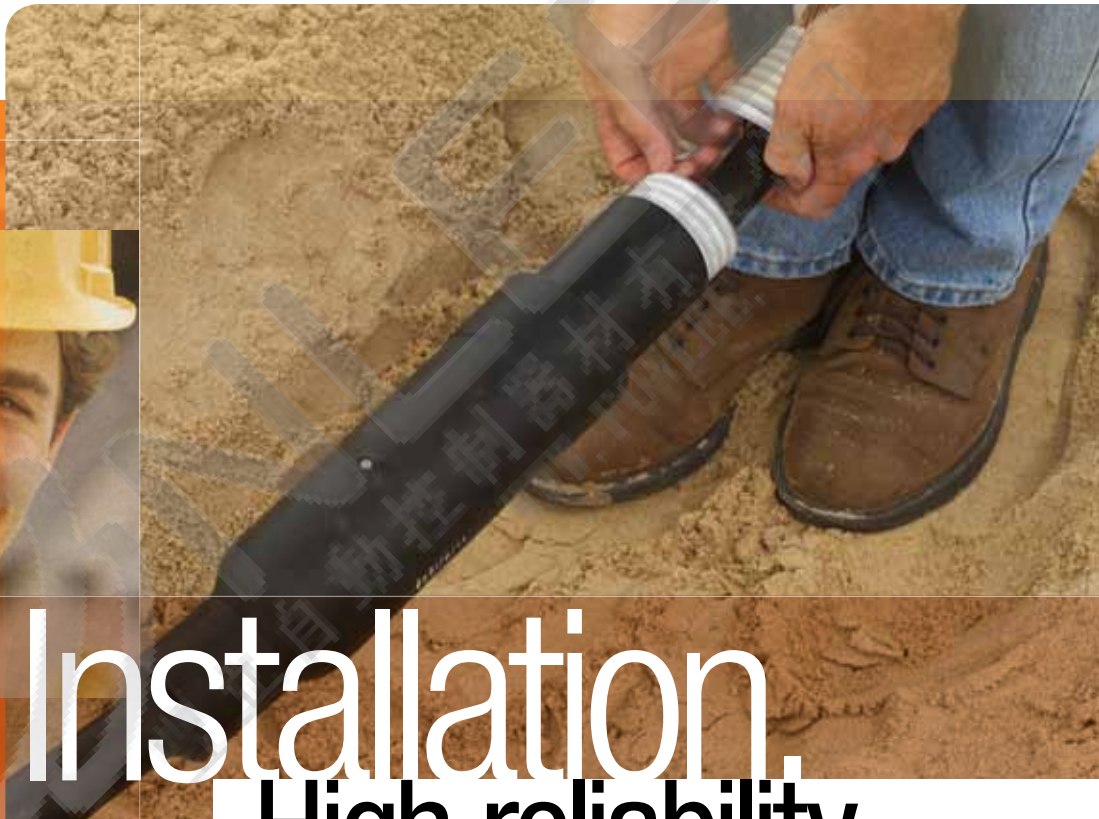


3M Electrical Markets Division
3M™ Cold Shrink Silicone Rubber Splices QS-III



Easy Installation.
High reliability.

3M



Revolutionizing power cable splicing with Cold Shrink

The 3M™ Cold Shrink Silicone Rubber Splice QS-III is designed to meet customer demands for easy, consistent installations by virtually eliminating the pushing, pulling or heating required by traditional splices. The QS-III splice features a silicone rubber body which provides excellent electrical properties and superior low temperature handling. Plus the QS-III splice meets or exceeds the requirements of most worldwide standards including IEEE 404 and European CENELEC HD629.

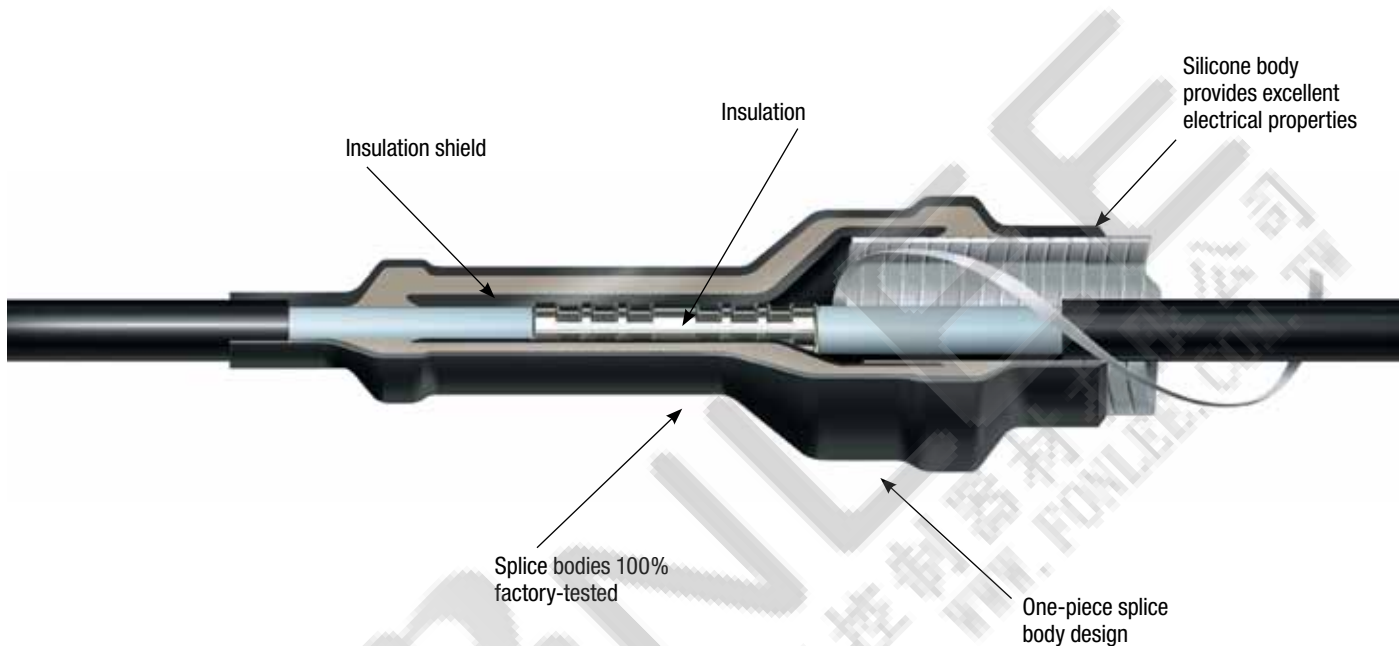
3M Cold Shrink products bring tested reliability to splicing.

3M invented Cold Shrink technology over 40 years ago, so no one knows more about it than we do. The merits and reliability of Cold Shrink products have been proven with years of successful field use and laboratory testing.

3M QS-III splices eliminate heat applied and force fit methods, resulting in safer, more reliable, and lower cost installations.

Cold Shrink Benefits

- No heat, flames or special installation tools required
- Constant radial pressure enables consistent electrical interfaces
- Easy, fast and safe installation
- Symmetrical cable cutback dimensions
- Allows transitioning of different size cables
- Suitable for use with most industry-standard connectors



Splice Features

- Silicone body provides excellent electrical performance and superior low temperature handling
- Splice bodies are 100% factory tested
- One piece splice body design
- Field-proven technology
- Meets IEEE 404, Cenelec, and European VDE standards
- Wide cable range for individual splice bodies
- Allows easy size transitions within a splice range

3M™ Cold Shrink Silicone Rubber Splices QS-III come with the components required to make a complete splice for most types of cable and voltages from 5-46 kV.

For CN (concentric neutral) or JCN (jacketed concentric neutral) type shielded cables, there are two types of QS-III splice kits.

The 5400A series splice kits come with the splice body, a separate one-piece re-jacketing tube and the components necessary to splice one cable. The kits can be ordered with or without a connector.

The 5400A-WG series splice kits also are for CN or JCN cables. These splice kits have splice bodies, bleeder wires and protective jacket tubes, all loaded on one core for ease of installation and minimal re-jacketing. The components, except connectors, necessary to splice one cable are included in the kit.

3M™ Cold Shrink Silicone Rubber Splice QS-III

Product	UPC*	Primary Insulation O.D. Range	Conductor Size	Connector
15kV CN and JCN cables				
5415A	53470-0	0.64-1.01" (16,3-25,7 mm)	2-4/0 AWG (35-95 mm ²)	None
5415A-2-AL	53471-7	0.64-1.01" (16,3-25,7 mm)	2 AWG	20003
5415A-2-CU	53472-4	0.64-1.01" (16,3-25,7 mm)	2 AWG	10003
5415A-1-AL	53473-1	0.64-1.01" (16,3-25,7 mm)	1 AWG	20004
5415A-1-CU	53474-8	0.64-1.01" (16,3-25,7 mm)	1 AWG	10004
5415A-1/0-AL	53475-5	0.64-1.01" (16,3-25,7 mm)	1/0 AWG	20005
5415A-1/0-CU	53476-2	0.64-1.01" (16,3-25,7 mm)	1/0 AWG	10005
5415A-2/0-AL	53477-9	0.64-1.01" (16,3-25,7 mm)	2/0 AWG	20006
5415A-2/0-CU	53478-6	0.64-1.01" (16,3-25,7 mm)	2/0 AWG	10006
5415A-3/0-AL	53747-3	0.64-1.01" (16,3-25,7 mm)	3/0 AWG	20007
5415A-3/0-CU	53748-0	0.64-1.01" (16,3-25,7 mm)	3/0 AWG	10007
5415A-4/0-AL	53749-7	0.64-1.01" (16,3-25,7 mm)	4/0 AWG	20008
5415A-4/0-CU	53750-3	0.64-1.01" (16,3-25,7 mm)	4/0 AWG	10008
5416A	44092-5 +	0.84-1.38" (21,3-35,1 mm)	4/0 AWG-350 kcmil (95-185 mm ²)	None
5416A-4/0-AL	44093-2 +	0.84-1.38" (21,3-35,1 mm)	4/0 AWG	20008
5416A-4/0-CU	44094-9 +	0.84-1.38" (21,3-35,1 mm)	4/0 AWG	10008
5416A-250-AL	44096-3 +	0.84-1.38" (21,3-35,1 mm)	250 kcmil	20009
5416A-250-CU	44097-0 +	0.84-1.38" (21,3-35,1 mm)	250 kcmil	10009
5416A-350-AL	44098-7 +	0.84-1.38" (21,3-35,1 mm)	350 kcmil	20011
5416A-350-CU	44099-4 +	0.84-1.38" (21,3-35,1 mm)	350 kcmil	10011
5417A	42124-5 +	1.04-1.70" (26,4-43,2 mm)	350-750 kcmil (185-325 mm ²)	None
5417A-350-AL	42125-2 +	1.04-1.70" (26,4-43,2 mm)	350 kcmil	20011
5417A-350-CU	44234-9 +	1.04-1.70" (26,4-43,2 mm)	350 kcmil	10011
5417A-500-AL	42126-9 +	1.04-1.70" (26,4-43,2 mm)	500 kcmil	20014
5417A-500-CU	44235-6 +	1.04-1.70" (26,4-43,2 mm)	500 kcmil	10014
5417A-750-AL	04587-8 +	1.04-1.70" (26,4-43,2 mm)	750 kcmil	20019
5417A-750-CU	04588-5 +	1.04-1.70" (26,4-43,2 mm)	750 kcmil	10019
5417A-WG	44090-1 +	1.04-1.70" (26,4-43,2 mm)	350-750 kcmil (185-325 mm ²)	None
5418A	42128-3 +	1.08-1.70" (27,4-43,2 mm)	500-1000 kcmil (240-500 mm ²)	None
5418A-500-AL	44403-9 +	1.08-1.70" (27,4-43,2 mm)	500 kcmil	20014
5418A-500-CU	44404-6 +	1.08-1.70" (27,4-43,2 mm)	500 kcmil	10014
5418A-750-AL	42129-0 +	1.08-1.70" (27,4-43,2 mm)	750 kcmil	20019
5418A-750-CU	44236-3 +	1.08-1.70" (27,4-43,2 mm)	750 kcmil	10019
5418A-1000-AL	42130-6 +	1.08-1.70" (27,4-43,2 mm)	1000 kcmil	20024
5418A-1000-CU	44237-0 +	1.08-1.70" (27,4-43,2 mm)	1000 kcmil	10024
5418A-WG	44091-8 +	1.08-1.70" (27,4-43,2 mm)	500-1000 kcmil (240-500 mm ²)	None

*UPC begins with 54007 unless noted otherwise

+UPC begins with 51128

Product	UPC*	Primary Insulation O.D. Range	Conductor Size	Connector
25/28kV CN and JCN cables				
5456A	53793-0	0.84-1.36" (21,3-34,5 mm)	1 AWG-250 kcmil (50-120 mm ²)	None
5456A-1-AL	53794-7	0.84-1.36" (21,3-34,5 mm)	1 AWG	20004
5456A-1-CU	53795-4	0.84-1.36" (21,3-34,5 mm)	1 AWG	10004
5456A-1/0-AL	53796-1	0.84-1.36" (21,3-34,5 mm)	1/0 AWG	20005
5456A-1/0-CU	53797-8	0.84-1.36" (21,3-34,5 mm)	1/0 AWG	10005
5456A-2/0-AL	53798-5	0.84-1.36" (21,3-34,5 mm)	2/0 AWG	20006
5456A-2/0-CU	53799-2	0.84-1.36" (21,3-34,5 mm)	2/0 AWG	10006
5456A-3/0-AL	53800-5	0.84-1.36" (21,3-34,5 mm)	3/0 AWG	20007
5456A-3/0-CU	53801-2	0.84-1.36" (21,3-34,5 mm)	3/0 AWG	10007
5456A-4/0-AL	53802-9	0.84-1.36" (21,3-34,5 mm)	4/0 AWG	20008
5456A-4/0-CU	53803-6	0.84-1.36" (21,3-34,5 mm)	4/0 AWG	10008
5456A-250-AL	53935-4	0.84-1.36" (21,3-34,5 mm)	250 kcmil	20009
5456A-250-CU	53936-1	0.84-1.36" (21,3-34,5 mm)	250 kcmil	10009
5456A-WG	53804-3	0.84-1.36" (21,3-34,5 mm)	1 AWG-250 kcmil (50-120 mm ²)	None
5457A	42149-8 +	1.07-1.70" (27,2-43,2 mm)	250-500 kcmil (120-240 mm ²)	None
5457A-250-AL	53836-4	1.07-1.70" (27,2-43,2 mm)	250 kcmil	20009
5457A-250-CU	53837-1	1.07-1.70" (27,2-43,2 mm)	250 kcmil	10009
5457A-350-AL	42132-0 +	1.07-1.70" (27,2-43,2 mm)	350 kcmil	20011
5457A-350-CU	44238-7 +	1.07-1.70" (27,2-43,2 mm)	350 kcmil	10011
5457A-500-AL	42133-7 +	1.07-1.70" (27,2-43,2 mm)	500 kcmil	20014
5457A-500-CU	44239-4 +	1.07-1.70" (27,2-43,2 mm)	500 kcmil	10014
5457A-WG	43416-0 +	1.07-1.70" (27,2-43,2 mm)	250-500 kcmil (120-240 mm ²)	None
5458A	42908-1 +	1.24-2.07" (31,5-52,6 mm)	500-1000 kcmil (240-500 mm ²)	None
5458A-500-AL	04593-9 +	1.24-2.07" (31,5-52,6 mm)	500 kcmil	20014
5458A-500-CU	04594-6 +	1.24-2.07" (31,5-52,6 mm)	500 kcmil	10014
5458A-750-AL	42909-8 +	1.24-2.07" (31,5-52,6 mm)	750 kcmil	20019
5458A-750-CU	44240-0 +	1.24-2.07" (31,5-52,6 mm)	750 kcmil	10019
5458A-1000-AL	42910-4 +	1.24-2.07" (31,5-52,6 mm)	1000 kcmil	20024
5458A-1000-CU	44241-7 +	1.24-2.07" (31,5-52,6 mm)	1000 kcmil	10024
5458A-WG	43417-7 +	1.24-2.07" (31,5-52,6 mm)	500-1000 kcmil (240-500 mm ²)	None

*UPC begins with 54007 unless noted otherwise

+UPC begins with 51128

3M™ Cold Shrink Silicone Rubber Splice QS-III

Product	UPC*	Primary Insulation O.D. Range	Conductor Size	Connector
35kV CN and JCN cables				
5467A	43051-3 +	1.07-1.70" (27,2-43,2 mm)	1/0 AWG-350 kcmil (60-185 mm ²)	None
5467A-1/0-AL	43052-0 +	1.07-1.70" (27,2-43,2 mm)	1/0 AWG	20005
5467A-1/0-CU	43057-5 +	1.07-1.70" (27,2-43,2 mm)	1/0 AWG	10005
5467A-2/0-AL	43053-7 +	1.07-1.70" (27,2-43,2 mm)	2/0 AWG	20006
5467A-2/0-CU	43058-2 +	1.07-1.70" (27,2-43,2 mm)	2/0 AWG	10006
5467A-3/0-AL	43054-4 +	1.07-1.70" (27,2-43,2 mm)	3/0 AWG	20007
5467A-3/0-CU	43059-9 +	1.07-1.70" (27,2-43,2 mm)	3/0 AWG	10007
5467A-4/0-AL	43055-1 +	1.07-1.70" (27,2-43,2 mm)	4/0 AWG	20008
5467A-4/0-CU	43060-5 +	1.07-1.70" (27,2-43,2 mm)	4/0 AWG	10008
5467A-250-AL	43056-8 +	1.07-1.70" (27,2-43,2 mm)	250 kcmil	20009
5467A-250-CU	43061-2 +	1.07-1.70" (27,2-43,2 mm)	250 kcmil	10009
5467A-350-AL	04589-2 +	1.07-1.70" (27,2-43,2 mm)	350 kcmil	20011
5467A-350-CU	04590-8 +	1.07-1.70" (27,2-43,2 mm)	350 kcmil	10011
5467A-WG	53883-8 +	1.07-1.70" (27,2-43,2 mm)	1/0 AWG-350 kcmil (60-185 mm ²)	None
5468A	43062-9 +	1.24-2.07" (31,5-52,6 mm)	350-1000 kcmil (185-500 mm ²)	None
5468A-350-AL	43063-6 +	1.24-2.07" (31,5-52,6 mm)	350 kcmil	20011
5468A-350-CU	43067-4 +	1.24-2.07" (31,5-52,6 mm)	350 kcmil	10011
5468A-500-AL	43064-3 +	1.24-2.07" (31,5-52,6 mm)	500 kcmil	20014
5468A-500-CU	43068-1 +	1.24-2.07" (31,5-52,6 mm)	500 kcmil	10014
5468A-750-AL	43065-0 +	1.24-2.07" (31,5-52,6 mm)	750 kcmil	20019
5468A-750-CU	43069-8 +	1.24-2.07" (31,5-52,6 mm)	750 kcmil	10019
5468A-1000-AL	43066-7 +	1.24-2.07" (31,5-52,6 mm)	1000 kcmil	20024
5468A-1000-CU	43070-4 +	1.24-2.07" (31,5-52,6 mm)	1000 kcmil	10024
5468A-WG	53909-5 +	1.24-2.07" (31,5-52,6 mm)	350-1000 kcmil (185-500 mm ²)	None

*UPC begins with 54007 unless noted otherwise
 +UPC begins with 51128

Product	UPC*	Primary Insulation O.D. Range	Conductor Size	Connector
15kV LC, wire, tape and UniShield® cables				
5513A	53480-9	0.64-1.01" (16,3-25,7 mm)	2-4/0 AWG (35-95 mm ²)	None
5513A-2-AL	53481-6	0.64-1.01" (16,3-25,7 mm)	2 AWG	20003
5513A-2-CU	53482-3	0.64-1.01" (16,3-25,7 mm)	2 AWG	10003
5513A-1-AL	53483-0	0.64-1.01" (16,3-25,7 mm)	1 AWG	20004
5513A-1-CU	53484-7	0.64-1.01" (16,3-25,7 mm)	1 AWG	10004
5513A-1/0-AL	53485-4	0.64-1.01" (16,3-25,7 mm)	1/0 AWG	20005
5513A-1/0-CU	53486-1	0.64-1.01" (16,3-25,7 mm)	1/0 AWG	10005
5513A-2/0-AL	53487-8	0.64-1.01" (16,3-25,7 mm)	2/0 AWG	20006
5513A-2/0-CU	53488-5	0.64-1.01" (16,3-25,7 mm)	2/0 AWG	10006
5513A-3/0-AL	53489-2	0.64-1.01" (16,3-25,7 mm)	3/0 AWG	20007
5513A-3/0-CU	53490-8	0.64-1.01" (16,3-25,7 mm)	3/0 AWG	10007
5513A-4/0-AL	53491-5	0.64-1.01" (16,3-25,7 mm)	4/0 AWG	20008
5513A-4/0-CU	53492-2	0.64-1.01" (16,3-25,7 mm)	4/0 AWG	10008
5514A	44101-5 +	0.84-1.38" (21,3-35,1 mm)	4/0 AWG-500 kcmil (95-240 mm ²)	None
5514A-4/0-AL	44102-1 +	0.84-1.38" (21,3-35,1 mm)	4/0 AWG	20008
5514A-4/0-CU	44103-8 +	0.84-1.38" (21,3-35,1 mm)	4/0 AWG	10008
5514A-250-AL	44104-5 +	0.84-1.38" (21,3-35,1 mm)	250 kcmil	20009
5514A-250-CU	44105-2 +	0.84-1.38" (21,3-35,1 mm)	250 kcmil	10009
5514A-350-AL	44106-9 +	0.84-1.38" (21,3-35,1 mm)	350 kcmil	20011
5514A-350-CU	44107-6 +	0.84-1.38" (21,3-35,1 mm)	350 kcmil	10011
5514A-500-AL	44407-7 +	0.84-1.38" (21,3-35,1 mm)	500 kcmil	20014
5514A-500-CU	44408-4 +	0.84-1.38" (21,3-35,1 mm)	500 kcmil	10014
5515A	42134-4 +	1.04-1.70" (26,4-43,2 mm)	350-750 kcmil (185-325 mm ²)	None
5515A-350-AL	42135-1 +	1.04-1.70" (26,4-43,2 mm)	350 kcmil	20011
5515A-350-CU	42898-5 +	1.04-1.70" (26,4-43,2 mm)	350 kcmil	10011
5515A-500-AL	42899-2 +	1.04-1.70" (26,4-43,2 mm)	500 kcmil	20014
5515A-500-CU	42136-8 +	1.04-1.70" (26,4-43,2 mm)	500 kcmil	10014
5515A-750-AL	42900-5 +	1.04-1.70" (26,4-43,2 mm)	750 kcmil	20019
5515A-750-CU	42137-5 +	1.04-1.70" (26,4-43,2 mm)	750 kcmil	10019
5516A	42139-9 +	1.08-1.70" (27,4-43,2 mm)	500-1000 kcmil (240-500 mm ²)	None
5516A-500-AL	44405-3 +	1.08-1.70" (27,4-43,2 mm)	500 kcmil	20014
5516A-500-CU	44406-0 +	1.08-1.70" (27,4-43,2 mm)	500 kcmil	10014
5516A-750-AL	43254-8 +	1.08-1.70" (27,4-43,2 mm)	750 kcmil	20019
5516A-750-CU	43255-5 +	1.08-1.70" (27,4-43,2 mm)	750 kcmil	10019
5516A-1000-AL	42901-2 +	1.08-1.70" (27,4-43,2 mm)	1000 kcmil	20024
5516A-1000-CU	42106-1 +	1.08-1.70" (27,4-43,2 mm)	1000 kcmil	10024

*UPC begins with 54007 unless noted otherwise
+UPC begins with 51128

3M™ Cold Shrink Silicone Rubber Splice QS-III

Product	UPC*	Primary Insulation O.D. Range	Conductor Size	Connector
25/28kV LC, wire, tape and UniShield® cables				
5524A	53922-4	0.84-1.36" (21,3-34,5 mm)	1 AWG-250 kcmil (50-120 mm ²)	None
5524A-1-AL	53923-1	0.84-1.36" (21,3-34,5 mm)	1 AWG	20004
5524A-1-CU	53924-8	0.84-1.36" (21,3-34,5 mm)	1 AWG	10004
5524A-1/0-AL	53925-5	0.84-1.36" (21,3-34,5 mm)	1/0 AWG	20005
5524A-1/0-CU	53926-2	0.84-1.36" (21,3-34,5 mm)	1/0 AWG	10005
5524A-2/0-AL	53927-9	0.84-1.36" (21,3-34,5 mm)	2/0 AWG	20006
5524A-2/0-CU	53928-6	0.84-1.36" (21,3-34,5 mm)	2/0 AWG	10006
5524A-3/0-AL	53929-3	0.84-1.36" (21,3-34,5 mm)	3/0 AWG	20007
5524A-3/0-CU	53930-9	0.84-1.36" (21,3-34,5 mm)	3/0 AWG	10007
5524A-4/0-AL	53931-6	0.84-1.36" (21,3-34,5 mm)	4/0 AWG	20008
5524A-4/0-CU	53932-3	0.84-1.36" (21,3-34,5 mm)	4/0 AWG	10008
5524A-250-AL	53933-0	0.84-1.36" (21,3-34,5 mm)	250 kcmil	20009
5524A-250-CU	53934-7	0.84-1.36" (21,3-34,5 mm)	250 kcmil	10009
5525A	42138-2 +	1.07-1.70" (27,2-43,2 mm)	250-750 kcmil (120-325 mm ²)	None
5525A-250-AL	53845-6	1.07-1.70" (27,2-43,2 mm)	250 kcmil	20009
5525A-250-CU	53846-3	1.07-1.70" (27,2-43,2 mm)	250 kcmil	10009
5525A-350-AL	42140-5 +	1.07-1.70" (27,2-43,2 mm)	350 kcmil	20011
5525A-350-CU	42902-9 +	1.07-1.70" (27,2-43,2 mm)	350 kcmil	10011
5525A-500-AL	42141-2 +	1.07-1.70" (27,2-43,2 mm)	500 kcmil	20014
5525A-500-CU	42903-6 +	1.07-1.70" (27,2-43,2 mm)	500 kcmil	10014
5525A-750-AL	42904-3 +	1.07-1.70" (27,2-43,2 mm)	750 kcmil	20019
5525A-750-CU	42127-6 +	1.07-1.70" (27,2-43,2 mm)	750 kcmil	10019
5526A	42905-0 +	1.24-2.07" (31,5-52,6 mm)	500-1000 kcmil (240-500 mm ²)	None
5526A-500-AL	04597-7 +	1.24-2.07" (31,5-52,6 mm)	500 kcmil	20014
5526A-500-CU	04598-4 +	1.24-2.07" (31,5-52,6 mm)	500 kcmil	10014
5526A-750-AL	04595-3 +	1.24-2.07" (31,5-52,6 mm)	750 kcmil	20019
5526A-750-CU	04596-0 +	1.24-2.07" (31,5-52,6 mm)	750 kcmil	10019
5526A-1000-AL	42906-7 +	1.24-2.07" (31,5-52,6 mm)	1000 kcmil	20024
5526A-1000-CU	42907-4 +	1.24-2.07" (31,5-52,6 mm)	1000 kcmil	10024
35kV LC, wire, tape and UniShield® cables				
5535A	43071-1 +	1.07-1.70" (27,2-43,2 mm)	1/0 AWG-350 kcmil (60-185 mm ²)	None
5535A-1/0-AL	43072-8 +	1.07-1.70" (27,2-43,2 mm)	1/0 AWG	20005
5535A-1/0-CU	43077-3 +	1.07-1.70" (27,2-43,2 mm)	1/0 AWG	10005
5535A-2/0-AL	43073-5 +	1.07-1.70" (27,2-43,2 mm)	2/0 AWG	20006
5535A-2/0-CU	43078-0 +	1.07-1.70" (27,2-43,2 mm)	2/0 AWG	10006

*UPC begins with 54007 unless noted otherwise

+UPC begins with 51128

Product	UPC*	Primary Insulation O.D. Range	Conductor Size	Connector
35kV LC, wire, tape and UniShield® cables				
5535A-3/0-AL	43074-2 +	1.07-1.70" (27,2-43,2 mm)	3/0 AWG	20007
5535A-3/0-CU	43079-7 +	1.07-1.70" (27,2-43,2 mm)	3/0 AWG	10007
5535A-4/0-AL	43075-9 +	1.07-1.70" (27,2-43,2 mm)	4/0 AWG	20008
5535A-4/0-CU	43080-3 +	1.07-1.70" (27,2-43,2 mm)	4/0 AWG	10008
5535A-250-AL	43076-6 +	1.07-1.70" (27,2-43,2 mm)	250 kcmil	20009
5535A-250-CU	43081-0 +	1.07-1.70" (27,2-43,2 mm)	250 kcmil	10009
5535A-350-AL	04591-5 +	1.07-1.70" (27,2-43,2 mm)	350 kcmil	20011
5535A-350-CU	04592-2 +	1.07-1.70" (27,2-43,2 mm)	350 kcmil	10011
5536A	43082-7 +	1.24-2.07" (31,5-52,6 mm)	350-1000 kcmil (185-500 mm ²)	None
5536A-350-AL	43083-4 +	1.24-2.07" (31,5-52,6 mm)	350 kcmil	20011
5536A-350-CU	43087-2 +	1.24-2.07" (31,5-52,6 mm)	350 kcmil	10011
5536A-500-AL	43084-1 +	1.24-2.07" (31,5-52,6 mm)	500 kcmil	20014
5536A-500-CU	43088-9 +	1.24-2.07" (31,5-52,6 mm)	500 kcmil	10014
5536A-750-AL	43085-8 +	1.24-2.07" (31,5-52,6 mm)	750 kcmil	20019
5536A-750-CU	43089-6 +	1.24-2.07" (31,5-52,6 mm)	750 kcmil	10019
5536A-1000-AL	43086-5 +	1.24-2.07" (31,5-52,6 mm)	1000 kcmil	20024
5536A-1000-CU	43090-2 +	1.24-2.07" (31,5-52,6 mm)	1000 kcmil	10024

46kV LC, Wire Tape and UniShield® Cables

5545A	55089-2+	1.24-2.07" (31,5-52,6 mm)	4/0 AWG-1000 kcmil** (120-500 mm ² **)	None
-------	----------	---------------------------	--	------

3M™ 5500A series splice kits are for tape, wire, LC (longitudinally corrugated) shielded cables, or Unishield® cables. The kits come with the splice body, a separate one-piece re-jacketing tube and all components necessary to splice one cable. The kits can be ordered with or without a connector.

**4/0 AWG and 250 kcmil cable may be used with aluminum connectors only—do not use 4/0 AWG or 250 kcmil copper connectors.

Product	UPC*	Primary Insulation O.D. Range	Conductor Size	Connector
15kV 3-Core Cables				
5775A-MT	53493-9	0.64-1.01" (16,3-25,7 mm)	2-4/0 AWG (35-95 mm ²)	None
5776A-MT	44112-0 +	0.84-1.38" (21,3-35,1 mm)	4/0 AWG-500 kcmil (95-240 mm ²)	None
5777A-MT	44289-9 +	1.04-1.70" (26,4-43,2 mm)	350-750 kcmil (185-325 mm ²)	None
25/28kV 3-Core Cables				
5786A-MT	53937-8	0.84-1.36" (21,3-34,5 mm)	1 AWG-250 kcmil (50-120 mm ²)	None
5787A-MT	43421-4 +	1.07-1.70" (27,2-43,2 mm)	250-750 kcmil (120-325 mm ²)	None
5788A-MT	43422-1 +	1.24-2.07" (31,5-52,6 mm)	500-1000 kcmil (240-500 mm ²)	None
35kV 3-Core Cables				
5797A-MT	43419-1 +	1.07-1.70" (27,2-43,2 mm)	1/0 AWG-350 kcmil (60-185 mm ²)	None
5798A-MT	43420-7 +	1.24-2.07" (31,5-52,6 mm)	350-1000 kcmil (185-500 mm ²)	None

3M™ 5700A-MT series splice kits are for three-conductor cables. The kits come with three splice bodies and all components, except connectors, necessary to splice, re-jacket and re-armor one cable.

*UPC begins with 54007 unless noted otherwise

+UPC begins with 51128

3M™ Cold Shrink Silicone Rubber Splice QS-III single-core: Installation in a few easy steps



1. Prepare cable and make connection. Position 3M™ Cold Shrink Silicone Rubber Splice QS-III components



2. Position splice and unwind core



3. Re-jacket Splice



4. Completed Splice

3M™ Cold Shrink Silicone Rubber Splice QS-III three-core: Installation in a few easy steps



1. Prepare cable and make connection. Position 3M™ Cold Shrink Silicone Rubber Splice QS-III components



2. Position splice and unwind core



3. Re-shield Splice



4. Re-jacket Splice



5. Re-jacket/Re-armor Splice



Caution: Working around energized systems may cause serious injury or death. Installation should be performed by personnel familiar with good safety practice in handling electrical equipment. De-energize and ground all electrical systems before installing product.



3M is a trademark of 3M. UniShield is a registered trademark of General Cable Technologies Corp.

Important Notice

Before using this product, you must evaluate it and determine if it is suitable for your intended application. You assume all risks and liability associated with such use.

Warranty; Limited Remedy; Limited Liability.

This product will be free from defects in material and manufacture at the time of purchase. **3M MAKES NO OTHER WARRANTIES INCLUDING, BUT NOT LIMITED TO, ANY IMPLIED WARRANTY OF MERCHANTABILITY OR FITNESS FOR A PARTICULAR PURPOSE.** If this product is defective within the warranty period stated above, your exclusive remedy shall be, at 3M's option, to replace or repair the 3M product or refund the purchase price of the 3M product. **Except where prohibited by law, 3M will not be liable for any indirect, special, incidental or consequential loss or damage arising from this 3M product, regardless of the legal theory asserted.**



Electrical Markets Division

6801 River Place Blvd.
Austin, TX 78726-9000
800 245 3573
FAX 800 245 0329
<http://www.3M.com/electrical>

Please recycle. Printed in U.S.A.
© 3M 2009. All rights reserved.
80-6109-4334-4B