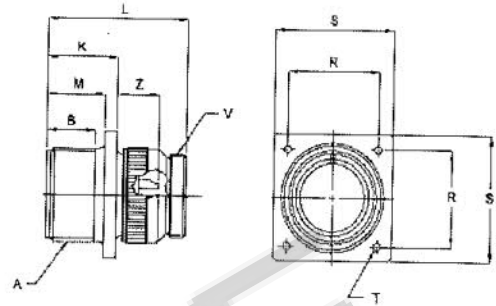


牆外插座 MS3100 A/R Type (Wall Mount Receptacle)



DIMENSIONS IN INCHES 英呎規格

SHELL SIZE	A Thread Class 2A	B Min.	K ± .008	L ± .020	M ± .008	R ± .004	S ± .008	T ± .004	V Thread Class 2A	Z ± 1.5
10SL	5/8-24 UNEF	.394	.677	1.575	.567	.717	1.000	.126	5/8-24 UNEF	0.427
14S	7/8-20 UNEF	.394	.693	1.575	.567	.906	1.181	.126	3/4-20 UNEF	0.411
16S	1-20 UNEF	.394	.693	1.575	.567	.969	1.280	.126	7/8-20 UNEF	0.411
16	1-20 UNEF	.638	.882	2.016	.756	.969	1.280	.126	7/8-20 UNEF	0.650
18	1 1/8-18 UNEF	.638	.909	2.016	.756	1.063	1.378	.126	1-20 UNEF	0.622
20	1 1/4-18 UNEF	.638	.909	2.016	.756	1.157	1.496	.126	1 3/16-18 UNE	0.622
22	1 3/8-18 UNEF	.638	.909	2.016	.756	1.252	1.614	.126	1 3/16-18 UNE	0.622
24	1 1/2-18 UNEF	.638	.972	2.067	.819	1.374	1.752	.146	1 7/16-18 UNE	0.559
28	1 3/4-18 UNS	.638	.972	2.382	.819	1.563	2.000	.146	1 7/16-18 UNE	0.559
32	2-18 UNS	.689	1.035	2.516	.882	1.752	2.244	.169	1 3/4-18 UNS	0.496
36	2 1/4-16 UN	.689	1.035	2.642	.882	1.937	2.500	.169	2-18 UNS	0.496

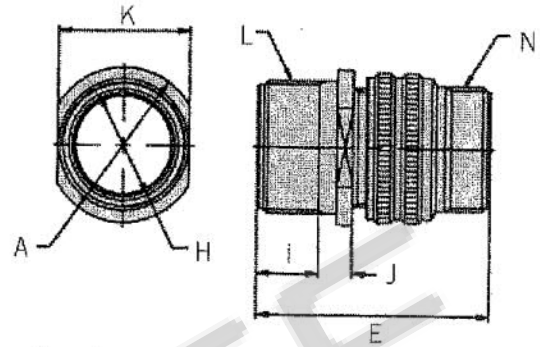
When insert includes A size "O" contact, increase "Z" BY .315 inch.

DIMENSIONS IN MILLIMETERS 釐米規格

SHELL SIZE	A Thread Class 2A	B Min.	K ± .02	L ± .5	M ± .2	R ± .1	S ± .2	T ± .1	V Thread Class 2A	Z ± 1.5
10SL	5/8-24 UNEF	10.0	17.2	40.0	14.4	18.2	25.4	3.2	5/8-24 UNEF	10.85
14S	7/8-20 UNEF	10.0	17.6	40.0	14.4	23.0	30.0	3.2	3/4-20 UNEF	10.45
16S	1-20 UNEF	10.0	17.6	40.0	14.4	24.6	32.5	3.2	7/8-20 UNEF	10.45
16	1-20 UNEF	16.2	22.4	51.2	19.2	24.6	32.5	3.2	7/8-20 UNEF	16.50
18	1 1/8-18 UNEF	16.2	23.1	51.2	19.2	27.0	35.0	3.2	1-20 UNEF	15.80
20	1 1/4-18 UNEF	16.2	23.1	51.2	19.2	29.4	38.0	3.2	1 3/16-18 UNE	15.80
22	1 3/8-18 UNEF	16.2	23.1	51.2	19.2	31.8	41.0	3.2	1 3/16-18 UNE	15.80
24	1 1/2-18 UNEF	16.2	24.7	52.5	20.8	34.9	44.5	3.7	1 7/16-18 UNE	14.20
28	1 3/4-18 UNS	16.2	24.7	60.5	20.8	39.7	50.8	3.7	1 7/16-18 UNE	14.20
32	2-18 UNS	17.5	26.3	63.9	22.4	44.5	57.0	4.3	1 3/4-18 UNS	12.60
36	2 1/4-16 UN	17.5	26.3	67.1	22.4	49.2	63.5	4.3	2-18 UNS	12.60

When insert includes A size "O" contact, increase "Z" BY 8 mm.

連線接頭 MS3101 A/R Type (In-Line Receptacle)



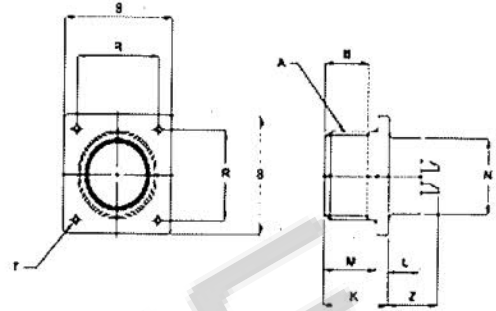
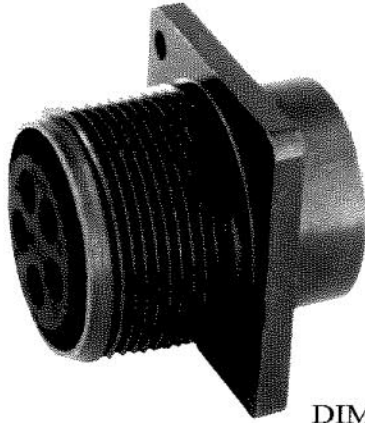
DIMENSIONS IN INCHES 英呎規格

SHELL SIZE	ϕA max	E max	ϕH +0.38 -0.00	I min	J max	K max	L(-2A), M(-2B) Thread	N Thread-2A
10SL	.969	1.531	.448	.375	.062	.656	5/8-24 UNEF	5/8-24 UNEF
14S	1.156	1.688	.682	.375	.072	.089	7/8-20 UNEF	3/4- 20 UNEF
16S	1.250	1.688	.807	.375	.072	1.015	1-20 UNEF	7/8-20 UNEF
16	1.250	2.062	.807	.625	.078	1.015	1-20 UNEF	7/8-20 UNEF
18	1.344	2.062	.932	.625	.109	1.140	1 1/8-18 UNEF	1-20 UNEF
20	1.469	2.188	1.058	.625	.109	1.265	1 1/4-18 UNEF	1 3/16-18 UNEF
22	1.594	2.188	1.182	.625	.117	1.390	1 3/8-18 UNEF	1 3/16-18 UNEF
24	1.719	2.312	1.307	.625	.117	1.515	1 1/2-18 UNEF	1 7/16-18
28	1.969	2.312	1.526	.625	.117	1.765	1 3/4-18 UNS	1 7/16-18 UNEF
32	2.219	2.438	1.776	.625	.117	2.015	2-18 UNS	1 3/4-18 UNS
36	2.469	2.438	1.995	.625	.117	2.034	2 1/4-16 UN	2-18 UNS

DIMENSIONS IN MILLIMETERS 釐米規格

SHELL SIZE	ϕA max	E max	ϕH +0.38 -0.00	I min	J max	K max	L(-2A), M(-2B) Thread	N Thread-2A
10SL	24.61	38.88	11.38	9.53	1.57	16.66	5/8-24 UNEF	5/8-24 UNEF
14S	29.36	42.87	17.33	9.53	1.83	22.60	7/8-20 UNEF	3/4- 20 UNEF
16S	31.75	42.87	20.50	9.53	1.83	25.78	1-20 UNEF	7/8-20 UNEF
16	31.75	52.37	20.50	15.88	1.98	25.78	1-20 UNEF	7/8-20 UNEF
18	34.13	52.37	23.68	15.88	2.77	28.95	1 1/8-18 UNEF	1-20 UNEF
20	37.31	55.57	26.88	15.88	2.77	32.13	1 1/4-18 UNEF	1 3/16-18 UNEF
22	40.48	55.57	30.03	15.88	2.97	35.30	1 3/8-18 UNEF	1 3/16-18 UNEF
24	43.66	58.72	33.20	15.88	2.97	38.48	1 1/2-18 UNEF	1 7/16-18
28	50.01	58.72	38.77	15.88	2.97	44.83	1 3/4-18 UNS	1 7/16-18 UNEF
32	56.36	61.92	45.12	15.88	2.97	51.18	2-18 UNS	1 3/4-18 UNS
36	62.71	61.92	50.68	15.88	2.97	57.65	2 1/4-16 UN	2-18 UNS

械外插座 MS3102 A/R Type (Box Mount Receptacle)



DIMENSIONS IN INCHES 英呎規格

SHELL SIZE	A Thread Class 2A	B Min.	K ± .008	L ± .004	M ± .004	N ± .004	R ± .004	S ± .008	T ± .004	Z ± .059
10SL	5/8-24 UNEF	.394	.677	.295	.567	.630	.717	1.000	.126	.427
14S	3/4-20 UNEF	.394	.693	.280	.567	.754	.906	1.181	.126	.411
16S	1-20 UNEF	.394	.693	.280	.567	.880	.969	1.280	.126	.411
16	1-20 UNEF	.638	.882	.476	.756	.880	.969	1.280	.126	.650
18	1 1/8-18 UNEF	.638	.909	.449	.756	1.008	1.063	1.378	.126	.622
20	1 1/4-18 UNEF	.638	.909	.449	.756	1.130	1.157	1.496	.126	.622
22	1 3/8-18 UNEF	.638	.909	.449	.756	1.256	1.252	1.614	.126	.622
24	1 1/2-18 UNEF	.638	.972	.437	.819	1.382	1.374	1.752	.146	.559
28	1 3/4-18 UNS	.638	.972	.437	.819	1.630	1.563	2.000	.146	.559
32	2-18 UNS	.689	1.035	.437	.882	1.880	1.752	2.244	.169	.496
36	2 1/4-16 UN	.689	1.035	.437	.882	2.067	1.937	2.500	.169	.496

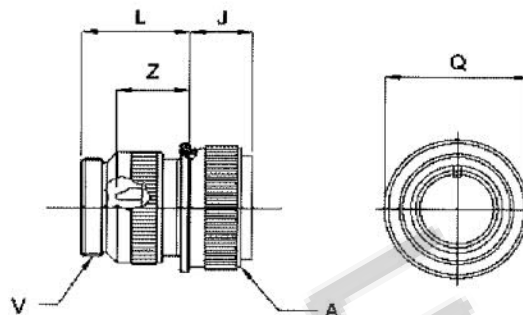
When insert includes A size "O" contact, increase "Z" BY .315 inch.

DIMENSIONS IN MILLIMETERS 釐米規格

SHELL SIZE	A Thread Class 2A	B Min.	K ± .2	L ± .1	M ± .1	N ± .1	R ± .1	S ± .2	T ± .1	Z ± 1.5
10SL	5/8-24 UNEF	10.0	17.2	7.5	14.4	16.0	18.2	25.4	3.2	10.85
14S	3/4-20 UNEF	10.0	17.6	7.1	14.4	19.15	23.0	30.0	3.2	10.45
16S	1-20 UNEF	10.0	17.6	7.1	14.4	22.35	24.6	32.5	3.2	10.45
16	1-20 UNEF	16.2	22.4	12.1	19.2	22.35	24.6	32.5	3.2	16.5
18	1 1/8-18 UNEF	16.2	23.1	11.4	19.2	25.6	27.0	35.0	3.2	15.8
20	1 1/4-18 UNEF	16.2	23.1	11.4	19.2	28.7	29.4	38.0	3.2	15.8
22	1 3/8-18 UNEF	16.2	23.1	11.4	19.2	31.9	31.8	41.0	3.2	15.8
24	1 1/2-18 UNEF	16.2	24.7	11.1	20.8	35.1	34.9	44.5	3.7	14.2
28	1 3/4-18 UNS	16.2	24.7	11.1	20.8	41.4	39.7	50.8	3.7	14.2
32	2-18 UNS	17.5	26.3	11.1	22.4	47.75	44.5	57.0	4.3	12.6
36	2 1/4-16 UN	17.5	26.3	11.1	22.4	52.5	49.2	63.5	4.3	12.6

When insert includes A size "O" contact, increase "Z" BY .8 mm.

直管接頭 MS3106 A/R Type (Straight Plug)



DIMENSIONS IN INCHES 英呎規格

SHELL SIZE	A Thread Class 2A	J ± .004	L ± .020	Q ± .020	V Thread Class 2A	Z ±1.5
10SL	5/8-24 UNEF	.531	1.043	.906	5/8-24 UNEF	.571
14S	7/8-20 UNEF	.531	1.043	1.102	3/4-20 UNEF	.571
16S	1-20 UNEF	.531	1.043	1.240	7/8-20 UNEF	.571
16	1-20 UNEF	.717	1.299	1.240	7/8-20 UNEF	.815
18	1 1/8-18 UNEF	.717	1.299	1.343	1-20 UNEF	.815
20	1 1/4-18 UNEF	.717	1.299	1.469	1 3/16-18 UNEF	.815
22	1 3/8-18 UNEF	.717	1.299	1.587	1 3/16-18 UNEF	.815
24	1 1/2-18 UNEF	.717	1.350	1.713	1 7/16-18 UNEF	.815
28	1 3/4-18 UNS	.717	1.665	1.945	1 7/16-18 UNEF	.815
32	2-18 UNS	.717	1.799	2.213	1 3/4-18 UNS	.815
36	2-18 UNS	.717	1.925	2.468	2-18 UNS	.815

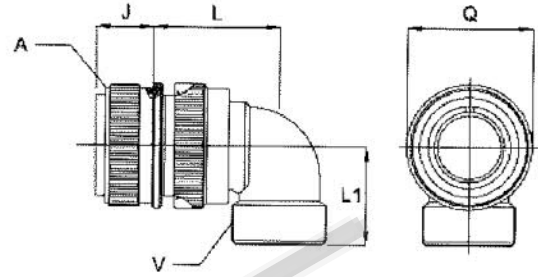
When insert includes A size "O" contact, increase "Z" BY .315 inch.

DIMENSIONS IN MILLIMETERS 釐米規格

SHELL SIZE	A Thread Class 2A	J ± .1	L ± .5	Q ± .5	V Thread Class 2A	Z ±1.5
10SL	5/8-24 UNEF	13.5	26.5	23.0	5/8-24 UNEF	14.5
14S	7/8-20 UNEF	13.5	26.5	28.0	3/4-20 UNEF	14.5
16S	1-20 UNEF	13.5	26.5	31.5	7/8-20 UNEF	14.5
16	1-20 UNEF	18.2	33.0	31.5	7/8-20 UNEF	20.7
18	1 1/8-18 UNEF	18.2	33.0	34.1	1-20 UNEF	20.7
20	1 1/4-18 UNEF	18.2	33.0	37.3	1 3/16-18 UNEF	20.7
22	1 3/8-18 UNEF	18.2	33.0	40.3	1 3/16-18 UNEF	20.7
24	1 1/2-18 UNEF	18.2	34.3	43.5	1 7/16-18 UNEF	20.7
28	1 3/4-18 UNS	18.2	42.3	49.4	1 7/16-18 UNEF	20.7
32	2-18 UNS	18.2	45.7	56.2	1 3/4-18 UNS	20.7
36	2-18 UNS	18.2	48.9	62.7	2-18 UNS	20.7

When insert includes A size "O" contact, increase "Z" BY .8 mm.

彎管接頭 MS3108 A/R Type (90° Cable Plug)



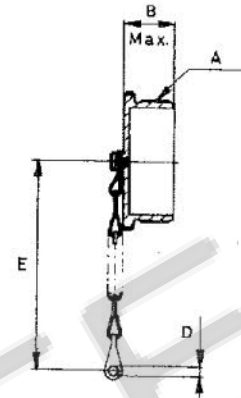
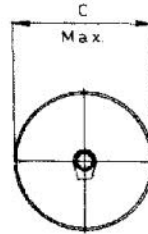
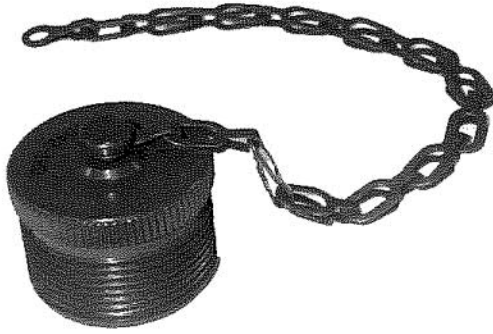
DIMENSIONS IN INCHES 英呎規格

SHELL SIZE	A Thread Class 2A	J ± .004	L ± .020	L1 ± .020	Q ± .020	V Thread Class 2A
10SL	5/8-24 UNEF	.531	.930	.945	.906	5/8-24 UNEF
14S	7/8-20 UNEF	.531	1.039	1.031	1.102	3/4-20 UNEF
16S	1-20 UNEF	.531	1.169	1.094	1.240	7/8-20 UNEF
16	1-20 UNEF	.717	1.370	1.094	1.240	7/8-20 UNEF
18	1 1/8-18 UNEF	.717	1.476	1.189	1.343	1-20 UNEF
20	1 1/4-18 UNEF	.717	1.594	1.252	1.469	13/16-18 UNEF
22	1 3/8-18 UNEF	.717	1.697	1.319	1.587	13/16-18 UNEF
24	1 1/2-18 UNEF	.717	1.744	1.378	1.713	17/16-18 UNEF
28	1 3/4-18 UNS	.717	1.835	1.476	1.965	17/16-18 UNEF
32	2-18 UNS	.717	2.063	1.713	2.213	1 3/4-18 UNS
36	2 1/4-16 UN	.717	2.220	1.831	2.468	2-18 UNS

DIMENSIONS IN MILLIMETERS 釐米規格

SHELL SIZE	A Thread Class 2A	J ± .1	L ± .5	L1 ± .5	Q ± .5	V Thread Class 2B
10SL	5/8-24 UNEF	13.5	24.9	24.0	23.0	5/8-24 UNEF
14S	7/8-20 UNEF	13.5	26.4	26.2	28.0	3/4-20 UNEF
16S	1-20 UNEF	13.5	29.7	27.8	31.5	7/8-20 UNEF
16	1-20 UNEF	18.2	34.8	27.8	31.5	7/8-20 UNEF
18	1 1/8-18 UNEF	18.2	37.5	30.2	34.1	1-20 UNEF
20	1 1/4-18 UNEF	18.2	40.5	31.8	37.3	13/16-18 UNEF
22	1 3/8-18 UNEF	18.2	43.1	33.5	40.3	13/16-18 UNEF
24	1 1/2-18 UNEF	18.2	44.3	35.0	43.5	17/16-18 UNEF
28	1 3/4-18 UNS	18.2	46.6	37.5	49.9	17/16-18 UNEF
32	2-18 UNS	18.2	52.4	43.5	56.2	1 3/4-18 UNS
36	2 1/4-16 UN	18.2	56.4	46.5	62.7	2-18 UNS

插頭護蓋 *MS25042 Dust Caps for Plug Connectors*



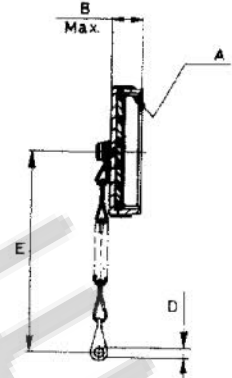
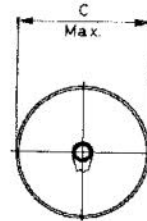
DIMENSIONS IN INCHES 英呎規格

Part No.	SIZE	A	B ± .012	C ± .012	D	E
KD042-10D	10SL	.625-24	.636	.681	.157	4.016
KD042-14D	14 - 14S	.876-20	.823	.925	.157	4.528
KD042-16D	16 - 16S	1.000-20	.823	1.055	.157	4.528
KD042-18D	18	1.125-18	.823	1.181	.157	4.528
KD042-20D	20	1.250-18	.823	1.291	.189	5.000
KD042-22D	22	1.375-18	.823	1.429	.189	5.000
KD042-24D	24	1.500-18	.823	1.555	.189	5.512
KD042-28D	28	1.750-18	.823	1.803	.189	7.756
KD042-32D	32	2.000-18	.823	20.55	.217	7.756
KD042-36D	36	2.250-16	.823	2.303	.217	7.756

DIMENSIONS IN MILLIMETERS 釐米規格

Part No.	SIZE	A	B ± .3	C ± .3	D	E
KD042-10D	10SL	.625-24	16.15	17.3	4.0	102
KD042-14D	14 - 14S	.876-20	20.9	23.5	4.0	115
KD042-16D	16 - 16S	1.000-20	20.9	26.8	4.0	115
KD042-18D	18	1.125-18	20.9	30.0	4.0	115
KD042-20D	20	1.250-18	20.9	32.8	4.8	127
KD042-22D	22	1.375-18	20.9	36.3	4.8	127
KD042-24D	24	1.500-18	20.9	39.5	4.8	140
KD042-28D	28	1.750-18	20.9	45.8	4.8	197
KD042-32D	32	2.000-18	20.9	52.2	5.5	197
KD042-36D	36	2.250-16	20.9	58.5	5.5	197

插座護蓋 MS25043 Dust Caps for Receptacle



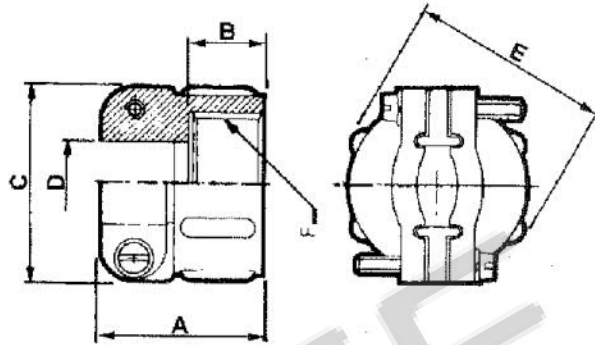
DIMENSIONS IN INCHES 英呎規格

Part No.	SIZE	A	B ± .012	C ± .012	D	E
KD043-10D	10SL	.625-24	.453	.791	.142	4.016
KD043-14D	14 - 14S	.876-20	.453	1.059	.142	4.528
KD043-16D	16 - 16S	1.000-20	.453	1.173	.142	4.528
KD043-18D	18	1.125-18	.453	1.299	.142	4.528
KD043-20D	20	1.250-18	.453	1.427	.142	5.000
KD043-22D	22	1.375-18	.453	1.569	.142	5.000
KD043-24D	24	1.500-18	.453	1.693	.167	5.512
KD043-28D	28	1.750-18	.530	1.937	.167	7.756
KD043-32D	32	2.000-18	.530	2.185	.189	7.756
KD043-36D	36	2.250-16	.530	2.449	.189	7.756

DIMENSIONS IN MILLIMETERS 釐米規格

Part No.	SIZE	A	B ± .3	C ± .3	D	E
KD043-10D	10SL	.625-24	11.50	20.1	3.60	102
KD043-14D	14 - 14S	.876-20	11.50	26.9	3.60	115
KD043-16D	16 - 16S	1.000-20	11.50	29.8	3.60	115
KD043-18D	18	1.125-18	11.50	33.0	3.60	115
KD043-20D	20	1.250-18	11.50	36.25	3.60	127
KD043-22D	22	1.375-18	11.50	39.85	3.60	127
KD043-24D	24	1.500-18	11.50	43.0	4.25	140
KD043-28D	28	1.750-18	13.45	49.2	4.25	197
KD043-32D	32	2.000-18	13.45	55.5	4.80	197
KD043-36D	36	2.250-16	13.45	62.2	4.80	197

電纜夾 MS3057A Cable Strain Relief Clamp



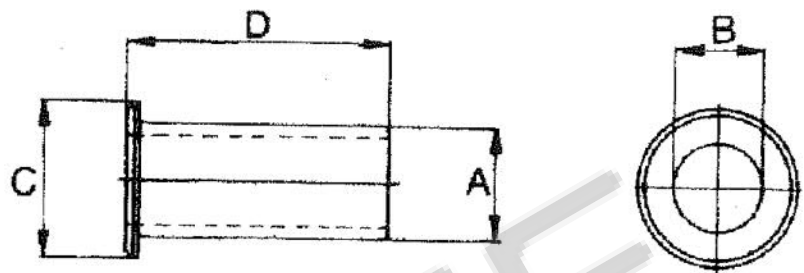
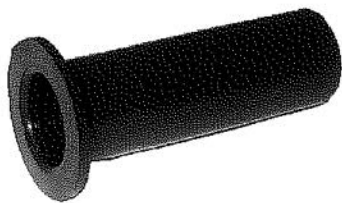
DIMENSIONS IN INCHES 英呎規格

Part No.	SHELL SIZE	Used with Sleeve	A ± .8	B	D max	E-C ± .8	F Thread Class 2B
MS3057-4A	10SL-12-12S	MS3420-4	.811	.413	.315	.866	5/8-24 UNEF
MS3057-6A	14-14S	MS3402-6	.874	.413	.433	1.063	3/4-20 UNEF
MS3057-8A	16-16S	MS3420-8	.945	.413	.559	1.142	17/20-20 UNEF
MS3057-10A	18	MS3420-10	.945	.413	.622	1.299	1-20 UNEF
MS3057-12A	20-22	MS3420-12	.945	.413	.748	1.457	1 3/16-18 UNEF
MS3057-16A	24-28	MS3420-16	1.024	.413	.937	1.693	1 7/16-18 UNEF
MS3057-20A	32	MS3420-20	1.984	.429	1.252	2.031	1 3/4-18UNS
MS3057-24A	36	MS3420-24	1.157	.531	1.378	2.283	2-18UNS

DIMENSIONS IN MILLIMETERS 釐米規格

Part No.	SHELL SIZE	Used with Sleeve	A ± .8	B	D max	E-C ± .8	F Thread Class 2B
MS3057-4A	10SL-12-12S	MS3420-4	20.6	10.5	8.0	22.2	5/8-24 UNEF
MS3057-6A	14-14S	MS3402-6	22.2	10.5	11.0	27.0	3/4-20 UNEF
MS3057-8A	16-16S	MS3420-8	24.0	10.5	14.2	29.0	17/20-20 UNEF
MS3057-10A	18	MS3420-10	24.0	10.5	15.8	33.0	1-20 UNEF
MS3057-12A	20-22	MS3420-12	24.0	10.5	19.0	37.0	1 3/16-18 UNEF
MS3057-16A	24-28	MS3420-16	26.0	10.5	23.8	43.0	1 7/16-18 UNEF
MS3057-20A	32	MS3420-20	27.8	12.5	31.8	51.6	1 3/4-18UNS
MS3057-24A	36	MS3420-24	29.4	13.5	35.0	58.0	2-18UNS

絕緣套 MS3420 Neoprene Sleeves and Sealing Plugs



DIMENSIONS IN INCHES 英呎規格

Part No.	Used with Sleeve	A	B	C	D
MS3420-3	MS3057-3A	.209	.130	.374	2.874
MS3420-4	MS3057-4A	.299	.220	.504	2.756
MS3420-6	MS3057-6A	.425	.311	.618	2.638
MS3420-8	MS3057-8A	.551	.437	.740	2.520
MS3420-10	MS3057-10A	.614	.563	.866	2.402
MS3420-12	MS3057-12A	.740	.626	1.059	2.244
MS3420-16	MS3057-16A	.925	.752	1.311	2.087
MS3420-20	MS3057-20A	1.240	.937	1.594	1.969
MS3420-24	MS3057-24A	1.362	1.252	1.850	1.850
MS3420-28	MS3057-28A	1.614	1.378	2.087	1.732

DIMENSIONS IN MILLMETERS 釐米規格

Part No.	Used with Sleeve	A	B	C	D
MS3420-3	MS3057-3A	5.30	3.30	9.50	73.0
MS3420-4	MS3057-4A	7.60	5.60	12.8	70.0
MS3420-6	MS3057-6A	10.8	7.90	15.7	67.0
MS3420-8	MS3057-8A	14.0	11.1	18.8	64.0
MS3420-10	MS3057-10A	15.6	14.3	22.0	61.0
MS3420-12	MS3057-12A	18.8	15.9	26.9	57.0
MS3420-16	MS3057-16A	23.5	19.1	33.3	53.0
MS3420-20	MS3057-20A	31.5	23.8	40.5	50.0
MS3420-24	MS3057-24A	34.6	31.8	47.0	47.0
MS3420-28	MS3057-28A	41.0	35.0	53.0	44.0