

Individual mounting

Series

Inline

33

34

36

32

37

38

52

67

69

44

46

42

47

48P

48

400

92

93

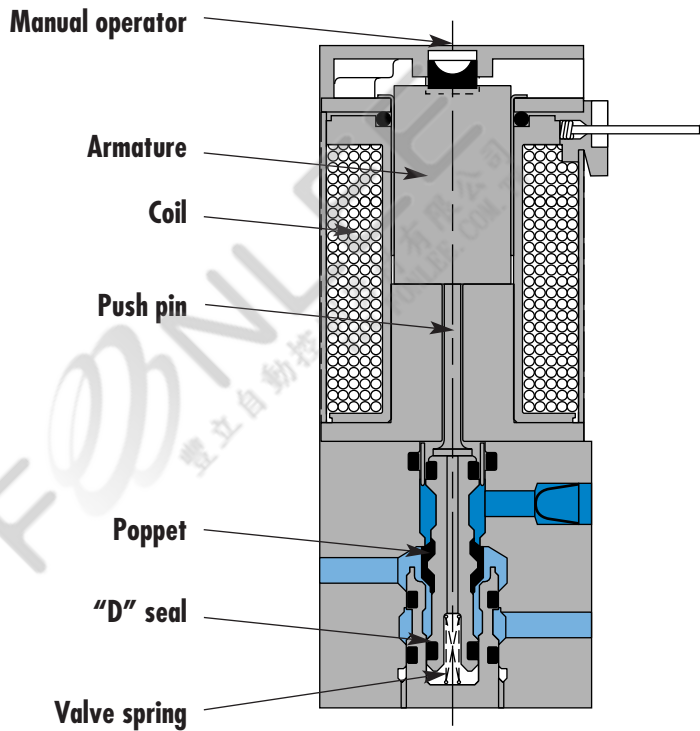
ISO 01

ISO 02

ISO 1

ISO 2

ISO 3



SERIES FEATURES

- High force MACSOLENOID®.
- Universal porting.
- # 10-32 or M5 ports.
- Rated for lubricated or non-lubricated service.
- 10 mm direct operated.

Function	Port size	Flow [Max]	Individual mounting	Series
3/2 NO-NC, 2/2 NO-NC	M5, # 10-32	0.12 C_v	Inline	

OPERATIONAL BENEFITS

1. 10 mm valve, direct solenoid operated.
2. Balanced poppet, immune to variations of pressure.
3. Short stroke with high flow.
4. Patented solenoid develops high shifting forces.
5. Powerful return spring.
6. Manual operator standard on all valves.



33

34

36

32

37

38

52

67

69

44

46

42

47

48P

48

400

92

93

ISO 01


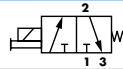
ISO 02

ISO 1

ISO 2

ISO 3

HOW TO ORDER

Port size	Universal valve	NC only valve
		
M5	34C-ABA-G XXX-XXX	34C-ABB-G XXX-XXX
# 10-32	34C-AAA-G XXX-XXX	34C-AAB-G XXX-XXX

SOLENOID OPERATOR ▶

G **XXX-XXX***

XX	Voltage	X	Wire length	X	Manual operator	XX	Electrical connection
AA	120 VAC (2.5W)	A	18"	1	Non-locking recessed	BA	Flying leads
DC	24 VDC (1.8W)	B	24"	3	Non-locking extended	BT	Flying leads with light
DD	24 VDC (2.5W)	C	36"			GA	MAC JAC Solenoid plug-in w/Diode
DF	24 VDC (4.0W)					GB	MAC JAC Solenoid plug-in w/Diode

Note : AC voltage requires connector with rectifier.

* Other options available, see page 311.

Washdown capability is possible for the "G" type electrical connectors. Consult factory for ordering information.

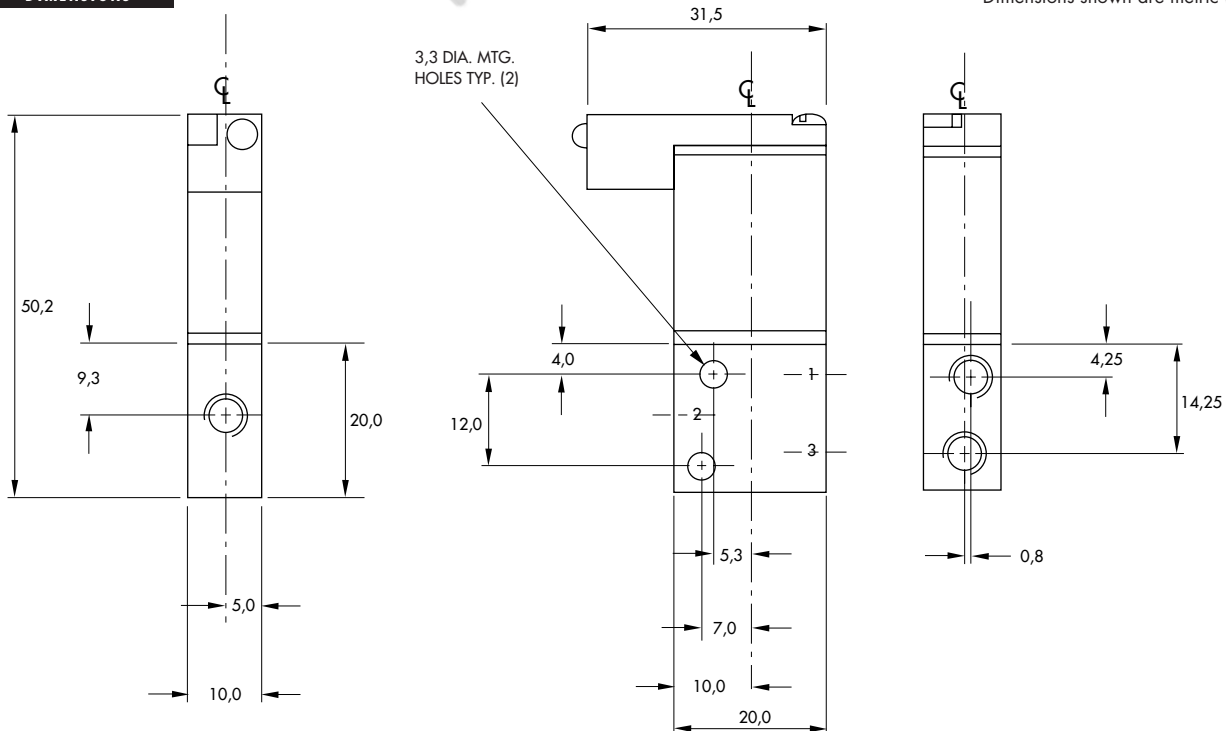
GC	MAC JAC Solenoid plug-in w/MOV
GD	MAC JAC Solenoid plug-in w/LED
GE	MAC JAC Solenoid plug-in w/Diode & LED
GF	MAC JAC Solenoid plug-in w/MOV & LED
GG	MAC JAC Solenoid plug-in w/Rectifier
GH	MAC JAC Solenoid plug-in w/Rectifier & LED
KA	Plug-in wire assembly
KC	Plug-in wire assembly with rectifier and light
KT	Plug-in wire assembly with light

TECHNICAL DATA

Fluid :	Compressed air, vacuum, inert gases
Pressure range :	Vacuum to 120 PSI
Lubrication :	Not required, if used select a medium aniline point lubricant (between 180°F and 210°F)
Filtration :	40 μ
Temperature range :	0°F to 120°F (-18°C to +50°C)
Flow :	4 W : (0.12 C _v) – 2.5 W : (0.10 C _v) – 1.8 W : (0.06 C _v)
Coil :	Class A wire (#22 AWG x 18), continuous duty
Voltage range :	-15% to +10% of nominal voltage
Power :	4 W – 2.5 W – 1.8 W
Response times : (with 4 W coil)	Energize : 3.4 ms De-energize : 1.5 ms

DIMENSIONS

Dimensions shown are metric (mm)



Codification table for voltages / Manual operator / Electrical connection

VALVE CODE > **G XX X-X XX**
1 2 3 4

OPTIONS AVAILABLE FOR

- Solenoid valves 32, 34, 38, 42, 44 & 48 Series

FONLEE
豐立自動控制器材有限公司
WWW.FONLEE.COM.TW

1. VOLTAGE			4. ELECTRICAL CONNECTION		
G-XX X-X XX	VOLTAGE		G-XX X-X XX	ELECTRICAL CONNECTION	
AA	120 VAC (2.5W)	Requires electrical connector with rectifier	BA	Flying leads	
AC	24 VAC (4.0W)	Requires electrical connector with rectifier	BB	BA with ground wire	
DA	24 VDC (1.0W)		BC	BA with light	
DC	24 VDC (1.8W)		BD	BA with light and ground wire	
DD	24 VDC (2.5W)		BE	BA with suppression diode	
DE	24 VDC (3.0W)		BF	BA with suppression diode and ground wire	
DF	24 VDC (4.0W)		BG	BA with suppression diode and light	
DG	12 VDC (1.0W)		BH	BA with suppression diode, light and ground wire	
DJ	12 VDC (1.8W)		BN	BA with suppression diode and blocking diode	
DK	12 VDC (2.5W)		BP	BA with suppression diode, blocking diode and ground wire	
DM	12 VDC (3.0W)		BR	BA with suppression diode, blocking diode and light	
DN	12 VDC (4.0W)		BS	BA with suppression diode, blocking diode, light and ground wire	
DR	6 VDC (1.8W)		GA	MAC JAC Solenoid plug-in	
DS	6 VDC (3.0W)		GB	MAC JAC Solenoid plug-in w/Diode	
EB	48 VDC (1.8W)		GC	MAC JAC Solenoid plug-in w/MOV	
EC	48 VDC (3.0W)		GD	MAC JAC Solenoid plug-in w/LED	
ED	120 VDC (2.5W)		GE	MAC JAC Solenoid plug-in w/Diode & LED	
GD	12 VDC (0.5W)	34 series only	GF	MAC JAC Solenoid plug-in w/MOV & LED	
GE	24 VDC (0.5W)	34 series only	GG	MAC JAC Solenoid plug-in w/Rectifier	
			GH	MAC JAC Solenoid plug-in w/Rectifier & LED	
			KA	Solenoid plug-in wire assembly	
			KB	KA with ground	
			KC	KA with rectifier and light	
			KD	KA with rectifier, light and ground	
			KE	KA with suppression diode	
			KF	KA with suppression diode and ground	
			KJ	Solenoid plug-in housing without wire assembly	
			KM	Solenoid plug-in housing with ground pin without wire assembly	
			KN	KA with suppression diode and blocking diode	
			KP	KA with suppression diode, blocking diode and ground	
			KT	KA with light	
			KU	KA with light and ground	
			KV	KA with suppression diode and light	
			KW	KA with suppression diode, light and ground	
			KX	KA with suppression diode, blocking diode and light	
			KY	KA with suppression diode, blocking diode, light & ground	
2. WIRE LENGTH			ELECTRICAL CONNECTION FOR PLUG-IN VALVES		
G-XX X-X XX	WIRE LENGTH		G-XX X-X XX	PLUG-IN OPTIONS	
0	No lead wires	(used only with "KJ" & "KM" connectors)	SB	Base plug-in with ground	
A	18" coil leads		SC	Base plug-in with suppression and blocking diode	
B	24" coil leads		SD	Base plug-in with suppression and blocking diode and ground	
C	36" coil leads		SE	Base plug-in with MOV	
D	48" coil leads		SF	Base plug-in with MOV and ground	
E	72" coil leads		SG	Base plug-in with rectifier	
F	96" coil leads		SH	Base plug-in with rectifier and ground	
G	120" coil leads		SK	Base plug-in with light and ground	
H	144" coil leads		SL	Base plug-in with suppression and blocking diode and light	
I	18" base leads		SM	Base plug-in with suppression and blocking diode with light and ground	
2	24" base leads		SN	Base plug-in with MOV and light	
3	36" base leads		SP	Base plug-in with MOV and light with ground	
4	48" base leads		SR	Base plug-in with rectifier and light	
5	72" base leads				
6	96" base leads				
7	120" base leads				
3. MANUAL OPERATOR					
G-XX X-X XX	MANUAL OPERATOR				
1	Non-locking recessed				
2	Locking recessed				
3	Non-locking extended				
4	Locking extended				

Codification table for voltages / Manual operators / Electrical connections

VALVE CODE > **L XX X-X XX**
1 2 3 4

OPTIONS AVAILABLE FOR

- Solenoid valves 32, 38, 42, 44, 47 & 48 Series

FONLEE
豐立自動控制器材有限公司
WWW.FONLEE.COM.TW

1. VOLTAGE (32, 38, 42, 44, 48 SERIES)		1. VOLTAGE (47 SERIES)	
L-XX X-X XX	VOLTAGE	L-XX X-X XX	VOLTAGE
DF	24VDC (4.0W)	DA	24VDC (5.2W)
DN	12VDC (4.0W)	DF	12VDC (5.2W)
HA	24VDC (1.95W)		
HE	12VDC (1.95W)		

2. WIRE LENGTH (all series)	
L-XX X-X XX	WIRE LENGTH
O	No lead wire
A	18"
B	24"
C	36"
D	48"
E	72"
F	96"
G	120"
H	144"

3. MANUAL OPERATOR (all series)	
L-XX X-X XX	MANUAL OPERATOR
O	No operator

4. ELECTRICAL CONNECTOR (32, 38, 42, 44 & 48 series)	
L-XX X-X XX	NON PLUG-IN
BA	2 wire flying leads
BB	2 wire flying leads with ground wire
BC	2 wire flying leads with light
BD	2 wire flying leads with light & ground wire
BJ	4 wire flying leads
BK	4 wire flying leads with ground
BL	4 wire flying leads with light
BM	4 wire flying leads with light & ground wire
KA	2 wire plug-in assembly
KB	2 wire plug-in assembly with ground wire
KC	2 wire plug-in assembly with light
KD	2 wire plug-in assembly with light and ground wire
KE	4 wire plug-in assembly
KF	4 wire plug-in assembly with ground wire
KG	4 wire plug-in assembly with light
KH	4 wire plug-in assembly and ground wire
LA	3 wire plug-in assembly (polarity switching cover)

L-XX X-X XX	PLUG-IN
*DA	Base plug-in
*DB	Base plug-in with ground pin
*DC	Base plug-in with light
*DD	Base plug-in with light & ground pin
**EA	Base plug-in 3 pin (Polarity switching cover)

4. ELECTRICAL CONNECTOR (47 series)	
L-XX X-X XX	NON PLUG-IN
BA	2 wire flying leads
BB	2 wire flying leads with ground wire
BC	2 wire flying leads with light
BD	2 wire flying leads with light & ground wire
BJ	4 wire flying leads
BK	4 wire flying leads with ground
BL	4 wire flying leads with light
BM	4 wire flying leads with light & ground wire
LA	3 wire plug-in assembly (Polarity switching cover)
MA	2 wire plug-in assembly
MB	2 wire plug-in assembly with ground wire
MC	2 wire plug-in assembly with light
MD	2 wire plug-in assembly with light and ground wire
ME	4 wire plug-in assembly
MF	4 wire plug-in assembly with ground wire
MG	4 wire plug-in assembly with light
MH	4 wire plug-in assembly with light and ground wire

L-XX X-X XX	PLUG-IN
EA	Base plug-in 3 pin (Polarity switching cover)
FA	Base plug-in with ground
FB	Base plug-in with ground & light
FC	Base plug-in 4 wire with ground
FD	Base plug-in 4 wire with light & ground

* Use these options for plug-in base with 2 or 4 wire assemblies

** Use this option for plug-in bases with 3 wire assemblies