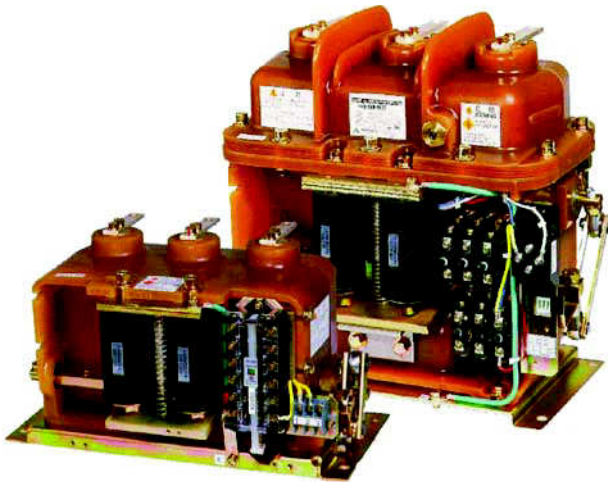


中壓電磁接觸器

MEDZUM-Voltage Magnetic Contactors

A Wide Choice of Models to Meet Every Requirement

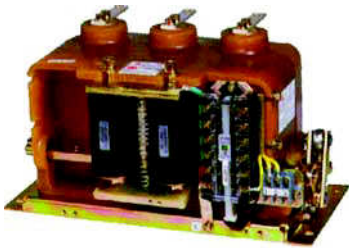


Highly evaluated molded type high-voltage electromagnetic contactors have been used in many fields of industry as switches for motors, transformers and capacitors. These contactors have enjoyed an enviable reputation attested by a great number of users for their outstanding characteristics such as stable switching performance, high dielectric strength, high reliability and properties even under the most extreme temperature and environmental conditions.

The most suitable selection for a variety of applications has become possible as a result of commercialization for a special model for 3.3 kV, 100A.

This new model will meet your requirements for reducing space and cost as well as increasing reliability.

Rotary-Arc-High-Voltage Magnetic Contactor (Stationary Type)



▲ Type HGR-851C,
3.6kV, 100A



▲ Type HGR-862C(863C)
3.6/7.2kV, 200A



▲ Type HGR-873C(974C)
3.6/7.2kV, 400A

Rotary-Arc-High-Voltage Magnetic Contactor with Power Fuses (Drawout Type)



▲ Type HGFO-857C-F
3.6kV, 100A, 40kA



▲ Type HGFO-867C-F
3.6kV, 200A, 40kA

RATINGS AND SPECIFICATIONS Standard

● Magnet Holding

Item	Mounting Type	Stationary Type					Drawout Type									
		Unfused					Unfused					Fused				
Power Fuse		Unfused					Unfused					Fused				
Rated Insulation Voltage	KV	3.6	3.6	7.2	3.6	7.2	3.6	3.6	7.2	3.6	7.2	3.6	3.6	7.2	3.6	7.2
Rated Thermal Current	A	100	200		400		100	200		400		100	200		400	
Contactor Type		HGR-□					HGR(O)-□					HGR(O)-□				
		851C	862C	963C	873C	974C	851C	862C	963C	873C	974C	857C	867C	968C	877C	978C
Rated Operational Voltage	kV	3.6	3.6	7.2	3.6	7.2	3.6	3.6	7.2	3.6	7.2	3.6	3.6	7.2	3.6	7.2
Rated Frequency	Hz	50 / 60					50 / 60									
Rated Interrupting Current	kA	2.5	4		6.3		2.5	4		6.3		40				
Rated Short-Time Current (2 s e c)	kA	2.5	4		6.3		2.5	4		6.3		2.5	4		6.3	
Insulation Class	*4	3A	3A/6A			3B	3B/6B			3B	3B/6B					
Making Current Capacity		Class AC4 : 10 times rated current,														
Breaking Current Capacity		Class Ac4 : 8 times rated current														
Switching Frequency		1200 operations per hour														
Mechanical Endurance (Number of times)		2,500,000			1,000,000		2,500,000			1,000,000		2,500,000			1,000,000	
Electrical Endurance *1 (Number of times)		250,000			100,000		250,000			100,000		250,000			100,000	
Overcurrent Class		—					—					C				
Control Circuit	Rated Insulation Voltage (V)	250					250									
	Rated Operational Voltage (V)	100 / 110 VAC, 200 / 220 VAC ; 100 / 110 VDC, 200 / 220 VDC														
Auxiliary Contact Arrangement*2		3NO, 2NC					3NO, 2NC									
Maximum Load Capacity	Motor KW	375	750	1500	1500	3000	375	750	1500	1500	3000	375	750	1000	1500	2000
	Transformer kVA	500	1000	2000	2000	4000	500	1000	2000	2000	4000	500	1000	1500	2000	3000
	Capacitor*3 kVA	500	1000	2000	2000	4000	500	1000	2000	2000	4000	300	700	1000	1400	2000
Approx. Mass (kg)		11	22		25		52	100		110		52	110		120	
Standard		JEM-1167					JEM-1225									

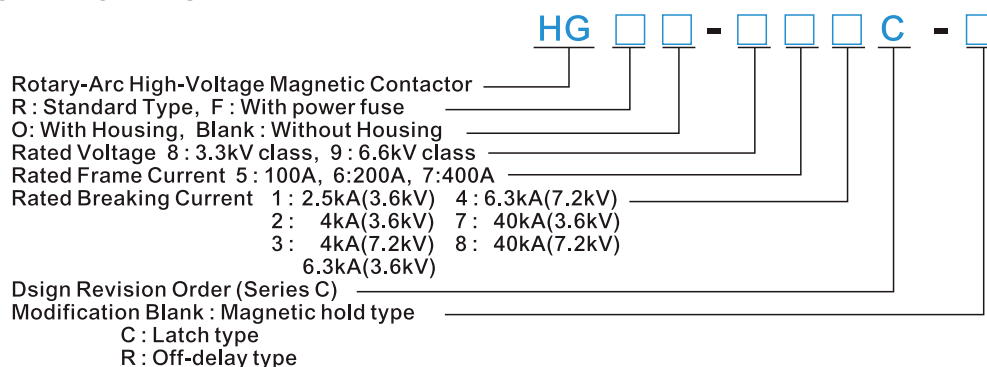
*1 : The electrical endurance was tested at class Ac3 switching frequency.
(600% of the rated current was input to check if more than 100% of the breaking current would flow.)

*2 : The contact number of the auxiliary contactor is the number of contacts available for external use.

*3 : When used on capacitor application, Reactor will need to be installed.

*4 : rated withstand voltage : 3A/3B : 16/10kV , 6A/6B : 22/16kV
rated impulse voltage : 3A/3B : 45/30kV , 6A/6B : 60/45kV

NOMENCLATURE



RATINGS AND SPECIFICATIONS Standard

● Magnet Holding(Off Delay : 2 secretary)

Item	Mounting Type		Stationary Type					Drawout Type									
			Unfused					Unfused					Fused				
Rated Insulation Voltage KV	3.6	3.6	7.2	3.6	7.2	3.6	3.6	3.6	7.2	3.6	7.2	3.6	3.6	7.2	3.6	7.2	
Rated Thermal Current A	100	200	400	100	200	400	100	200	400	100	200	400	100	200	400		
Contactor Type	HGR-□-R					HGR(O)-□-R					HGR(O)-□-R						
	851C	862C	963C	873C	974C	851C	862C	963C	873C	974C	857C	867C	968C	877C	978C		
Rated Operational Voltage kV	3.6	3.6	7.2	3.6	7.2	3.6	3.6	7.2	3.6	7.2	3.6	3.6	7.2	3.6	7.2		
Rated Frequency Hz	50 / 60					50 / 60											
Rated Interrupting Current kA	2.5	4	6.3	2.5	4	6.3	2.5	4	6.3	40							
Rated Short-Time Current kA (2sec)	2.5	4	6.3	2.5	4	6.3	2.5	4	6.3	2.5	4	6.3					
Insulation Class *4	3A	3A/6A				3B	3B/6B				3B	3B/6B					
Making Current Capacity	Class AC4 : 10 times rated current,																
Breaking Current Capacity	Class AC4 : 8 times rated current																
Switching Frequency	1200 operations per hour																
Mechanical Endurance (Number of times)	2,500,000		1,000,000			2,500,000		1,000,000			2,500,000		1,000,000				
Electrical Endurance *1 (Number of times)	250,000		100,000			250,000		100,000			250,000		100,000				
Overcurrent Class	—					—					C						
Control Circuit	Rated Insulation Voltage (V)		250					250									
	Rated Operational Voltage (V)		100 / 110 VAC, 200 / 220 VAC ; 100 / 110 VDC, 200 / 220 VDC														
Auxiliary Contact Arrangement *2	2NO, 2NC					2NO, 2NC											
Maximum Load Capacity	Motor KW	375	750	1500	1500	3000	375	750	1500	1500	3000	375	750	1000	1500	2000	
	Transformer kVA	500	1000	2000	2000	4000	500	1000	2000	2000	4000	500	1000	1500	2000	3000	
	Capacitor*3 kVA	500	1000	2000	2000	4000	500	1000	2000	2000	4000	300	700	1000	1400	2000	
Approx. Mass (kg)	11	23	26	52	100	110	52	110	120								
Standard	JEM-1167					JEM-1225											

*1 : The electrical endurance was tested at class Ac3 switching frequency. (600% of the rated current was input to check if more than 100% of the breaking current would flow.)

*2 : The contact number of the auxiliary contactor is the number of contacts available for external use.

*3 : When used on capacitor application, Reactor will need to be installed.

*4 : rated withstand voltage : 3A/3B : 16/10kV , 6A/6B : 22/16kV
rated impulse voltage : 3A/3B : 45/30kV , 6A/6B : 60/45kV

NORMAL SERVICE CONDITION

1. Altitude : Less than 1000m.
2. Ambient temperature : -5°C to 40°C
3. Humidity : 45% to 85%

Notes :

1. Short-time current, making current capacity, breaking current capacity, and switching capacity are performed by the magnetic contactor without a current limiting power fuse(PF).
2. The weight of the drawing type is the total weight including the housing , 2 each potential transformers(Pts),

RATINGS AND SPECIFICATIONS Standard

● Latch Type

Mounting Type		Stationary Type					Drawout Type									
Item							Unfused					Fused				
Power Fuse		Unfused					Unfused					Fused				
Rated Insulation Voltage	KV	3.6	3.6	7.2	3.6	7.2	3.6	3.6	7.2	3.6	7.2	3.6	3.6	7.2	3.6	7.2
Rated Thermal Current	A	100	200		400		100	200		400		100	200		400	
Contactor Type		HGR-□ -C					HGR(O)-□ -C					HGR(O)-□ -C				
		851C	862C	963C	873C	974C	851C	862C	963C	873C	974C	857C	867C	968C	877C	978C
Rated Operational Voltage	kV	3.6	3.6	7.2	3.6	7.2	3.6	3.6	7.2	3.6	7.2	3.6	3.6	7.2	3.6	7.2
Rated Frequency	Hz	50 / 60					50 / 60									
Rated Interrupting Current	kA	2.5	4		6.3		2.5	4		6.3		40				
Rated Short-Time Current (2 sec)	kA	2.5	4		6.3		2.5	4		6.3		2.5	4		6.3	
Insulation Class	*4	3A	3A/6A				3B	3B/6B			3B	3B/6B				
Making Current Capacity		Class AC4 : 10 times rated current,														
Breaking Current Capacity		Class AC4 : 8 times rated current														
Switching Frequency		300 operations per hour														
Mechanical Endurance (Number of times)		250,000		250,000		250,000		250,000		250,000		250,000		250,000		
Electrical Endurance (Number of times)	*1	100,000		50,000		100,000		50,000		100,000		50,000		100,000		
Overcurrent Class		—					—					C				
Control Circuit	Rated Insulation Voltage (V)	250					250									
	Rated Operational Voltage (V)	100 / 110 VAC, 200 / 220 VAC ; 100 / 110 VDC, 200 / 220 VDC														
Auxiliary Contact Arrangement *2		2NO, 2NC					2NO, 2NC									
Maximum Load Capacity	Motor KW	375	750	1500	1500	3000	375	750	1500	1500	3000	375	750	1500	1500	2000
	Transformer kVA	500	1000	2000	2000	4000	500	1000	2000	2000	4000	500	1000	1500	2000	3000
	Capacitor*3 kVA	500	1000	2000	2000	4000	500	1000	2000	2000	4000	300	700	1000	1400	2000
Approx. Mass (kg)		11.5	24		27		52	100		110		52	110		120	
Standard		JEM-1167					JEM-1225									

*1 : The electrical endurance was tested at class Ac3 switching frequency. (600% of the rated current was input to check if more than 100% of the breaking current would flow.)

*2 : The contact number of the auxiliary contactor is the number of contacts available for external use.

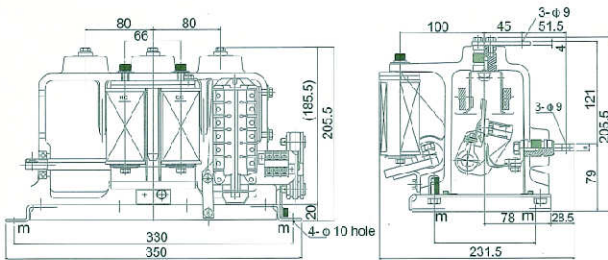
*3 : When used on capacitor application, Reactor will need to be installed.

*4 : rated withstand voltage : 3A/3B : 16/10kV , 6A/6B : 22/16kV
rated impulse voltage : 3A/3B : 45/30kV , 6A/6B : 60/45kV

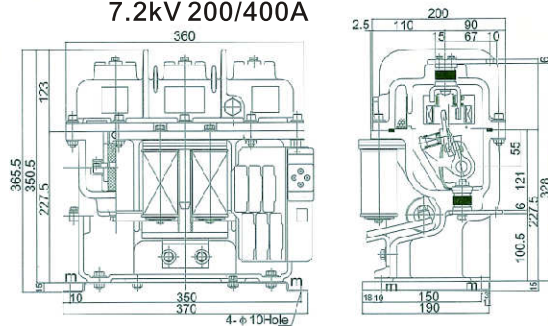
Dimensions

Stationary Type HGR

• 3.6kV 100A



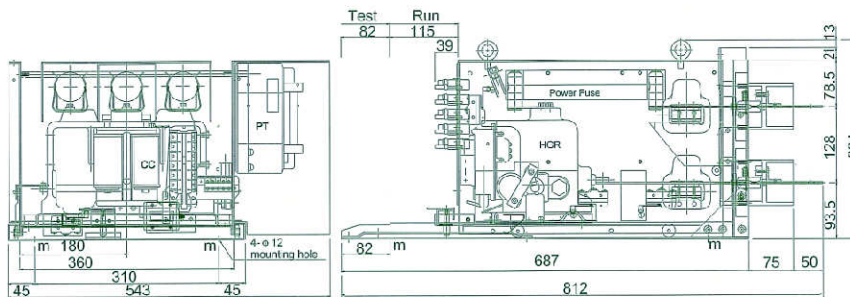
• 3.6kV 200/400A
• 7.2kV 200/400A



in mm

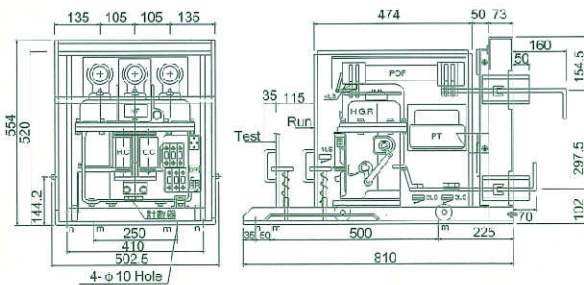
Drawout Type HGRO / Type HGFO (with power-fuse and housing)

• 3.6kV 100A



in mm

• 3.6/7.2kV 200/400A



• 3.6/7.2kV 200/400A

